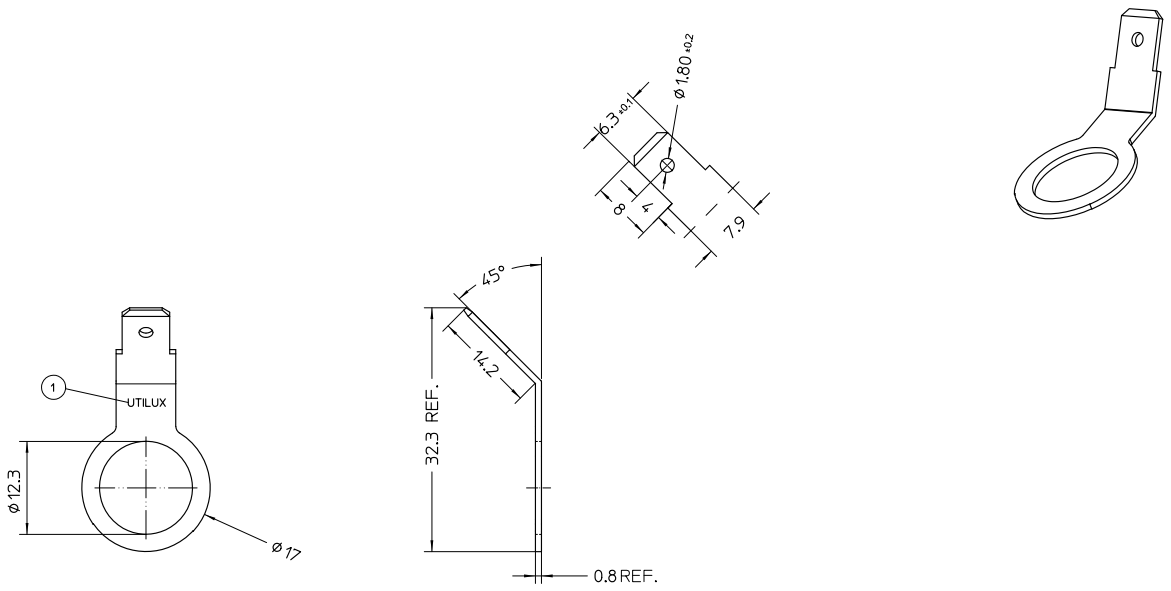


THIS DRAWING IS UNPUBLISHED. RELEASED FOR PUBLICATION
 © COPYRIGHT BY TYCO ELECTRONICS CORPORATION. ALL RIGHTS RESERVED.

LOC		DIST		REVISIONS			
P	LTR	DESCRIPTION		DATE	DWN	APVD	
U	-	0	REDRAWN, WAS UTILUX 01.03579.02	10-OCT-06	HT	WR	



NOTES:
 1. UTILUX OR AMP LOGO STAMPED AS REQUIRED.

THIS DRAWING IS A CONTROLLED DOCUMENT.

ALL DIMENSIONS IN mm	TOLERANCES UNLESS OTHERWISE SPECIFIED:
	DIMENSION (mm) TOLERANCE (±mm)
	LESS THAN 10 0.4
	OVER 10 TO 30 0.5
	OVER 30 TO 80 0.7
	OVER 80 TO 250 1.0
	ANGLES 42°

MATERIAL	FINISH
REF. BLOCK	REF. BLOCK

BRASS, PRE-TIN	TAB QC. 6.3 (H3579)	1-1627156-0			
MATERIAL	DESCRIPTION (UTILUX P/N)	PART No.			
DWN: H.THAH 10.10.06	Tyco Electronics Corporation AUSTRALIA NAME: TAB, QC 6.3				
CHK: W.RIEDE 10.10.06					
APVD: W.RIEDE 10.10.06					
PRODUCT SPEC:					
APPLICATION SPEC:	SIZE	CAGE CODE	DRAWING NO	RESTRICTED TO	
WEIGHT: -	A3		©-1627156	-	
CUSTOMER DRAWING		SCALE	SHEET	OF	REV
		2:1	1	1	0

THIS INFORMATION IS CONFIDENTIAL AND PROPRIETARY TO TYCO ELECTRONICS CORPORATION AND IS NOT TO BE RELEASED TO ANY OTHER PARTY WITHOUT THE WRITTEN PERMISSION OF TYCO ELECTRONICS CORPORATION. HARRISBURG, PENNSYLVANIA, USA.