

4

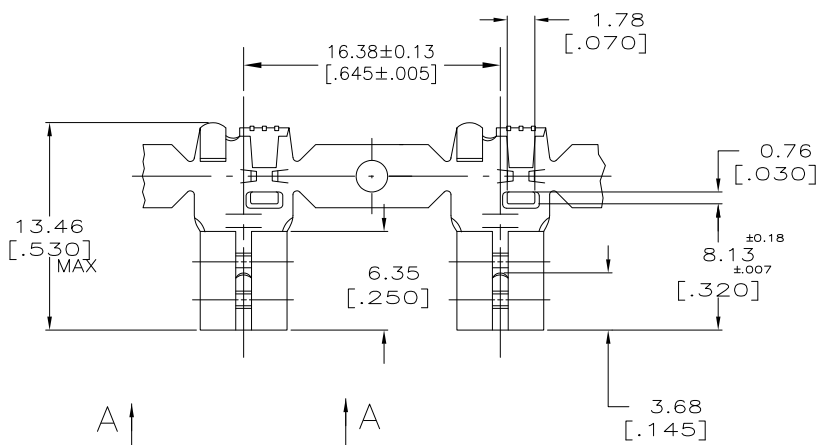
3

2

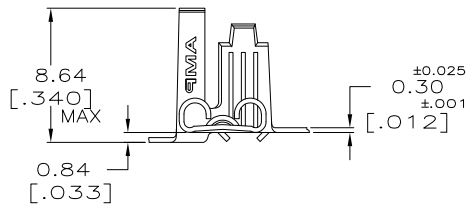
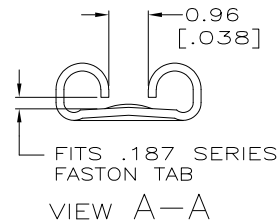
1

THIS DRAWING IS UNPUBLISHED. RELEASED FOR PUBLICATION
 © COPYRIGHT - BY TYCO ELECTRONICS CORPORATION. ALL INTERNATIONAL RIGHTS RESERVED.

LOC	DIST	REVISIONS				
P	LTR	DESCRIPTION	DATE	DWN	APVD	
AF	50					
	H2	REV PER ECR 10-009792	07MAY10	JR	PD	



- 1 CONTINUOUS STRIP ON REELS
- 2 TIN PLATE 0.002032 [.000080] MIN THK.
- 3 SILVER PL 0.00381 [.000150] MIN THK.
- 4 WIRE SIZE IS 0.5-1.4mm [20-16] AWG
- 5 INSULATION RANGE IS 2.79-4.32 [.110-.170] DIA.
- 6 MATING TAB THK IS 0.81±0.025 [.032±.001].
- 7 PRELIMINARY - NOT FOR PRODUCTION



--	7	62591-2
3		62591-2
	2	62591-1
FINISH		PART NO

DIMENSIONS:		TOLERANCES UNLESS OTHERWISE SPECIFIED:		DWN		Tyco Electronics		Tyco Electronics Corporation		
MM [INCHES]				CHK	DATE	NAME	SIZE	CAGE CODE	DRAWING NO	RESTRICTED TO
		0 PLC	± -	JR RUTH	7/23/91	D REINER	A3	00779	62591	
		1 PLC	± -	MS FEHER	7/23/91					
		2 PLC	± 0.38 [015]							
		3 PLC	± -							
		4 PLC	± -							
		4 PLC ANGLES	± -							
MATERIAL	FINISH	SEE TABLE		APVD		PRODUCT SPEC	RECEPTACLE, FASTON, 4.75 [.187] SERIES			
H04 BRASS						APPLICATION SPEC				
				WEIGHT			SCALE 4:1		SHEET 1 OF 1	
				CUSTOMER DRAWING				REV H2		

1470-19 (1/08)