

4

3

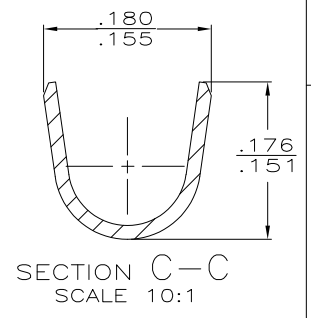
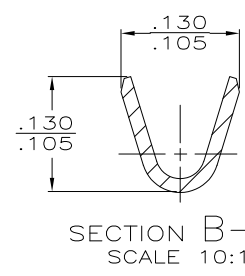
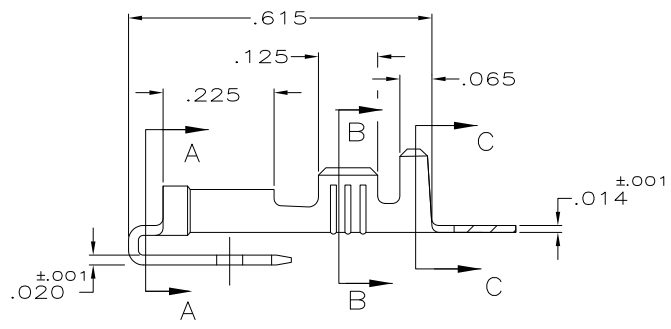
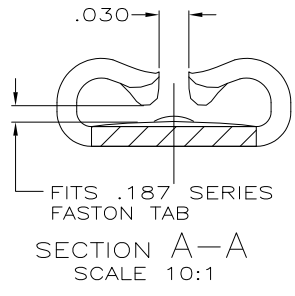
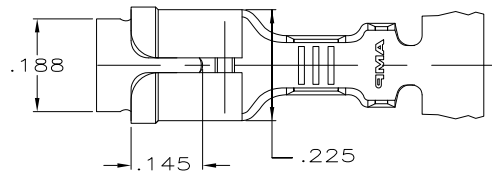
2

1

THIS DRAWING IS UNPUBLISHED. RELEASED FOR PUBLICATION
 © COPYRIGHT - By - ALL RIGHTS RESERVED.

LOC	DIST	REVISIONS				
P	LTR	DESCRIPTION	DATE	DWN	APVD	
AF	50					
		E1	REVISED PER ECO-11-004917	11MAR11	RK HMR	

1 CONTINUOUS STRIP ON REELS.



.090-.130	20-16	-	.020	62026-2
		TIN		62026-1
INSULATION RANGE	WIRE SIZE	FINISH	MATING TAB THK ±.001	PART NO

THIS DRAWING IS A CONTROLLED DOCUMENT.		DWN	JR RUTH	9/18/90	 TE Connectivity RECEPTACLE & TAB, FASTON, PIGGYBACK, .187 SERIES
DIMENSIONS: INCHES		CHK	P FORTNEY	9/18/90	
TOLERANCES UNLESS OTHERWISE SPECIFIED:		APVD	C MEYERS	9/18/90	
0 PLC ± - 1 PLC ± - 2 PLC ± - 3 PLC ± .015 4 PLC ± - ANGLES ± -		NAME			
MATERIAL	#4H PREMILLED BRASS	FINISH	SEE TABLE	WEIGHT	-
		SIZE	A3	CAGE CODE	00779
		DRAWING NO	C-62026		RESTRICTED TO
		CUSTOMER DRAWING	SCALE	5:1	SHEET 1 OF 1
					REV E1