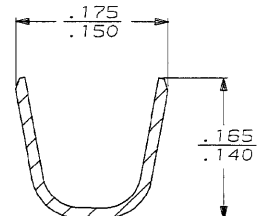
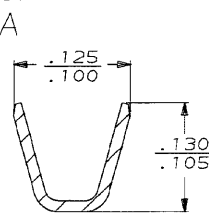
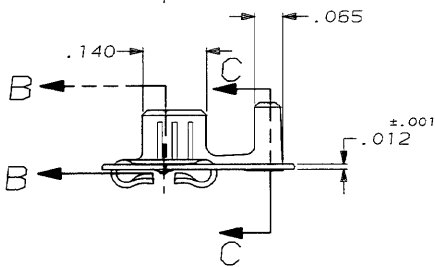
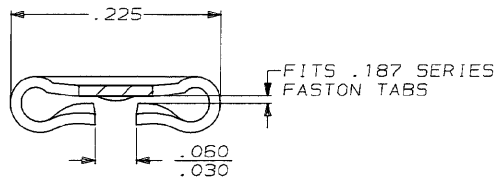
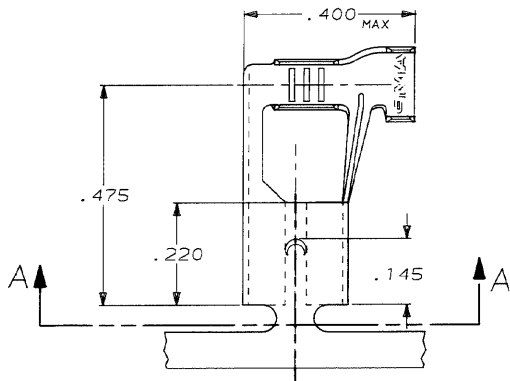


DRAWING MADE IN THIRD ANGLE PROJECTION
 THIS DRAWING IS UNPUBLISHED. RELEASED FOR PUBLICATION
 © COPYRIGHT 19 BY AMP INCORPORATED. ALL INTERNATIONAL RIGHTS RESERVED.

LOC	DIST	P	F	ZONE	LTR	REVISIONS	DATE	APPD
AF	50				G	REVISED AF-7613	11/5/91	JR/CM



1 CONTINUOUS STRIP ON REELS.

.090-.130 DIA	20-16 AWG	TIN .000080 MIN	.020	60755-2
				60755-1
INSULATION RANGE	WIRE SIZE	FINISH	MATING TAB THK ±.001	PART NO
DO NOT SCALE PRINT. UNLESS SPECIFIED DIMENSIONS ARE IN INCHES TOLERANCES ON: ± P/L DEC ± .015 ANGLES ±		DR 11/5/91 JR/CM	AMP Incorporated Harrisburg, PA 17105-3608	
MATERIAL	FINISH	CHK 11/5/91 MS FEHER	NAME RECEPTACLE, FASTON, FLAG, .187 SERIES	
H04 BRASS	SEE TABLE	APPD 11/5/91 C MEYERS	SIZE B	CAGE CODE 00779
		APPD 11/5/91 D REINER	DRAWING NO 60755	
		PRODUCT SPEC	SCALE 5:1	SHEET 1 OF 1
		APPLICATION SPEC		
		WEIGHT		

CUSTOMER DRAWING