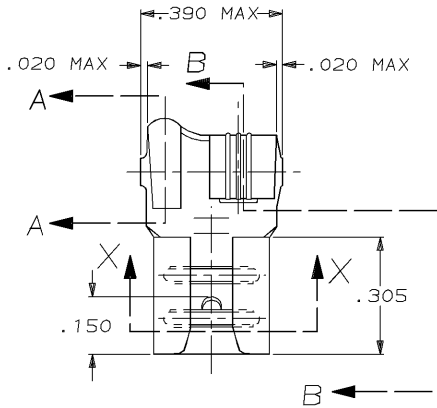


DRAWING MADE IN THIRD ANGLE PROJECTION

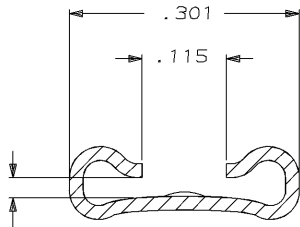
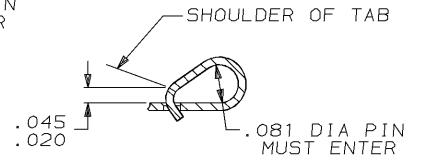
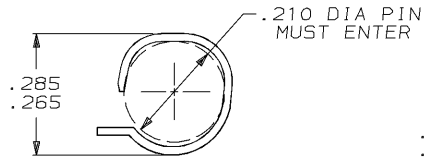
THIS DRAWING IS UNPUBLISHED. RELEASED FOR PUBLICATION, 19 .
 © COPYRIGHT 19 BY AMP INCORPORATED. ALL INTERNATIONAL RIGHTS RESERVED.

LOC	DIST	REVISIONS				DATE	APPD
P	F	ZONE	LTR	DESCRIPTION			
AF	50			0 DRAWN	11/12/96	JR/PD	



- 1 SUPPLIED IN LOOSE PIECE
- 2 WIRE SIZE IS #18-#12
- 3 INSULATION RANGE IS .110-.210 DIA.
- 4 MATING TAB THK TO BE .032±.002.

INSULATION SUPPORT AND WIRE BBL TO BE PRE-CRIMPED AS SHOWN IN CUT-OFF OPERATION.



SECTION X-X
SCALE 8:1

DO NOT SCALE PRINT. UNLESS SPECIFIED DIMENSIONS ARE IN INCHES TOLERANCES ON: 2 PLC DEC ± .015 ANGLES ± -		DR 11/12/96 JR RUTH	42742-1	60102-1
MATERIAL 4M BRASS	APPD 11/12/96 J GILLESPIE	CHK 11/12/96 MS FEHER	STRIP NO. PART NO.	
FINISH -	APPD 11/12/96 D BRATINA	PRODUCT SPEC -	AMP Incorporated Harrisburg, PA 17105-3608	
WEIGHT -	APPLICATION SPEC -	NAME RECEPTACLE, FASTON™ FLAG, .250 SERIES	SIZE B	CAGE CODE 00779
		DRAWING NO 60102	SCALE 4:1	SHEET 1 OF 1

CUSTOMER DRAWING