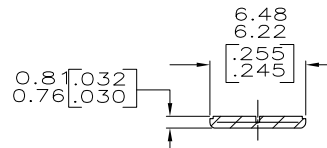
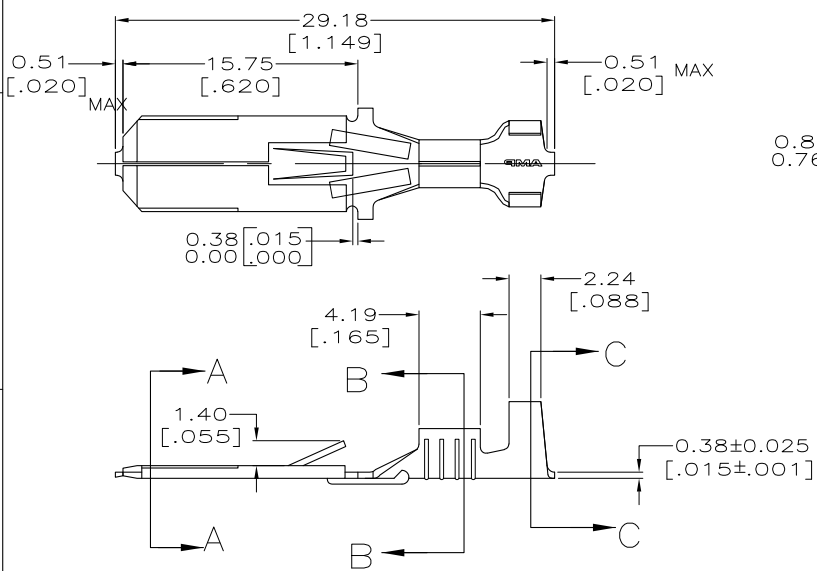
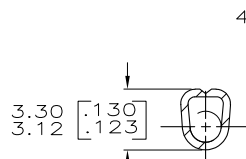


THIS DRAWING IS UNPUBLISHED. RELEASED FOR PUBLICATION
 © COPYRIGHT - By - ALL RIGHTS RESERVED.

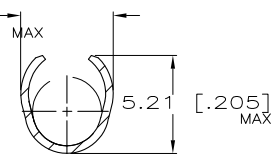
LOC	DIST	REVISIONS			
P	LTR	DESCRIPTION	DATE	DWN	APVD
AF	50				
P	P	REVISED PER ECO-11-004820	11MAR11	RK	HMR



SECTION A-A



SECTION B-B
SCALE 5:1
PRE-CRIMPED



SECTION C-C
SCALE 5:1
PRE-CRIMPED

- 1 SUPPLIED IN LOOSE PIECE.
- 2 FOREIGN PRODUCTION ONLY.
- 3 WIRE BARREL ACCEPTS A [#18-#14] AWG.
- 4 INSULATION RANGE IS 3.05-4.06 DIA [.120-.160] DIA.

0.003048 [.00120] MIN SILVER	H02 BRASS	42241-3
0.002032 [.00080] MIN TIN	H02 BRASS	42241-2
NONE	H02 BRASS	42241-1
FINISH	MATERIAL	PART NO

THIS DRAWING IS A CONTROLLED DOCUMENT.		DWN	JR RUTH	4/11/95	TE Connectivity TAB, FASTIN-FASTON, 6.35 [.250] SERIES
DIMENSIONS: MM [INCHES]		CHK	MS FEHER	4/11/95	
TOLERANCES UNLESS OTHERWISE SPECIFIED:		APVD	J GILLESPIE	4/13/95	
0 PLC ± - 1 PLC ± - 2 PLC ± - 3 PLC ± 0.38 [.015] 4 PLC ± - ANGLES ± -		NAME			
MATERIAL	SEE TABLE	FINISH	SEE TABLE	WEIGHT	-
CUSTOMER DRAWING		SIZE	A3	CAGE CODE	00779
		DRAWING NO	C=42241		RESTRICTED TO
		SCALE	4:1	SHEET	1 of 1
		REV	P		