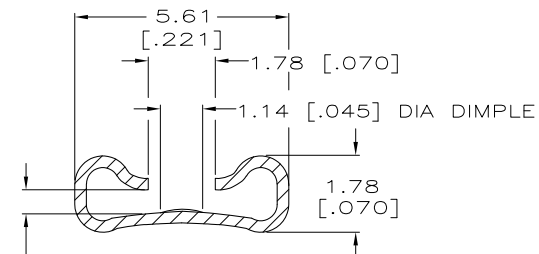
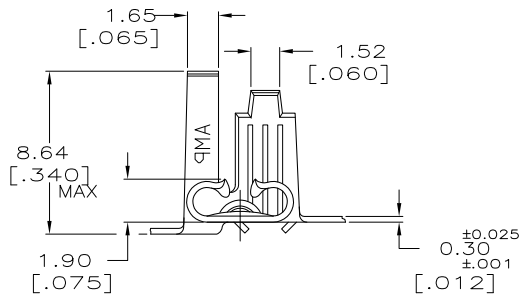
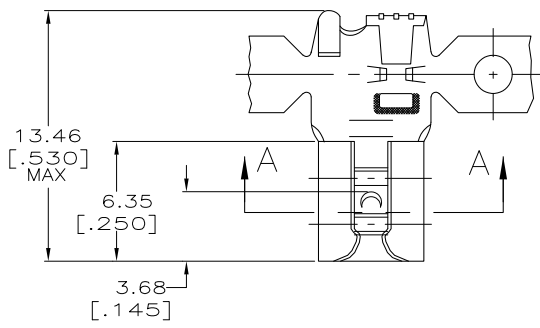


THIS DRAWING IS UNPUBLISHED. RELEASED FOR PUBLICATION
 © COPYRIGHT - By - ALL RIGHTS RESERVED.

LOC	DIST	REVISIONS					
AF	50	P	LTR	DESCRIPTION	DATE	DWN	APVD
		G1		REVISED PER ECO-11-004917	11MAR11	RK	HMR



FITS 4.75 [.187] SERIES FASTON TABS

SECTION A-A
SCALE 10:1

1 CONTINUOUS STRIP ON REELS.

TIN	2.79-4.32	0.5-1.3mm ²	0.51 [.020]	42800-2
-	[.110-.170] DIA	[20-16]AWG		42800-1
FINISH	INSULATION RANGE	WIRE SIZE	MATING TAB THK ±0.025 [.001]	PART NO

THIS DRAWING IS A CONTROLLED DOCUMENT.		DWN	JR RUTH	11/1/91	TE Connectivity RECEPTACLE, FASTON, 4.75 [.187] SERIES								
DIMENSIONS: MM(INCHES)		CHK	MS FEHER	11/1/91									
TOLERANCES UNLESS OTHERWISE SPECIFIED:		APVD	C MEYERS	11/1/91									
0 PLC ± - 1 PLC ± - 2 PLC ± 0.25 [.010] 3 PLC ± - 4 PLC ± - ANGLES ± -		NAME											
MATERIAL	HO4 BRASS	FINISH	SEE TABLE	WEIGHT	-	SIZE	A3	CAGE CODE	00779	DRAWING NO	C-42800	RESTRICTED TO	-
CUSTOMER DRAWING						SCALE	5:1	SHEET	1 of 1	REV	G1		

