

4

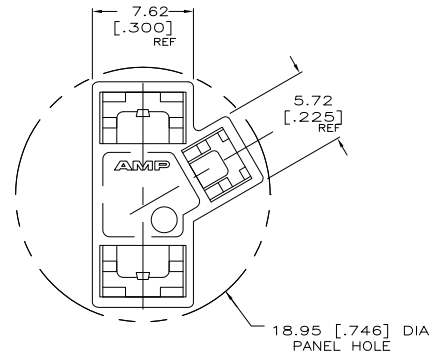
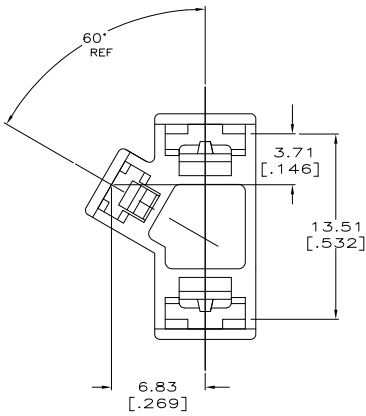
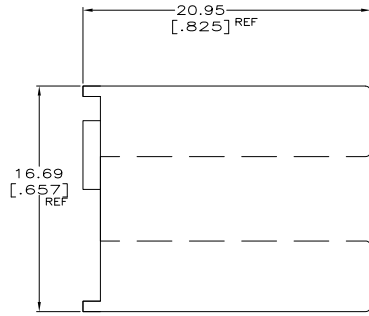
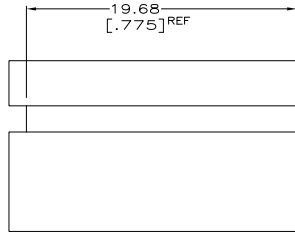
3

2

1

THIS DRAWING IS UNPUBLISHED. RELEASED FOR PUBLICATION
 © COPYRIGHT - By - ALL RIGHTS RESERVED.

LOC	DIST	REVISIONS			
P	LTR	DESCRIPTION	DATE	BY	APPD
AF	50				
F		REV PER EDR 10-018144	18APR11	JR	PD



4/6 NYLON 150 °C	520978-2
6/6 NYLON	520978-1
MATERIAL	PART NO.

THIS DRAWING IS A CONTROLLED DOCUMENT.		DRN	JR_RUTH	10/2/90
DIMENSIONS:		CHK	MS_FIEBER	10/2/90
MM [INCHES]	OTHER DIMENSIONS	APPD	C_MEYERS	10/2/90
0 PLG	±	NAME	TE Connectivity	
1 PLG	±	PRODUCT SPEC	HOUSING, RECEPTACLE, FASTON,	
2 PLG	±	APPLICATION SPEC	2.79 [.110] & 4.75 [.187] SERIES	
3 PLG	± 0.25 [0.010]	WEIGHT	SIZE	CAGE CODE DRAWING NO
4 PLG	±	FINISH	A2	00779 C-520978
ANGLES	±	MATERIAL	SEE TABLE	NATURAL
MATERIAL		RESTRICTED TO	CUSTOMER DRAWING	
FINISH		SCALE	5:1	SHEET 1 of 1
SEE TABLE		REV	F	

1471-9 (3/11)

520978

A