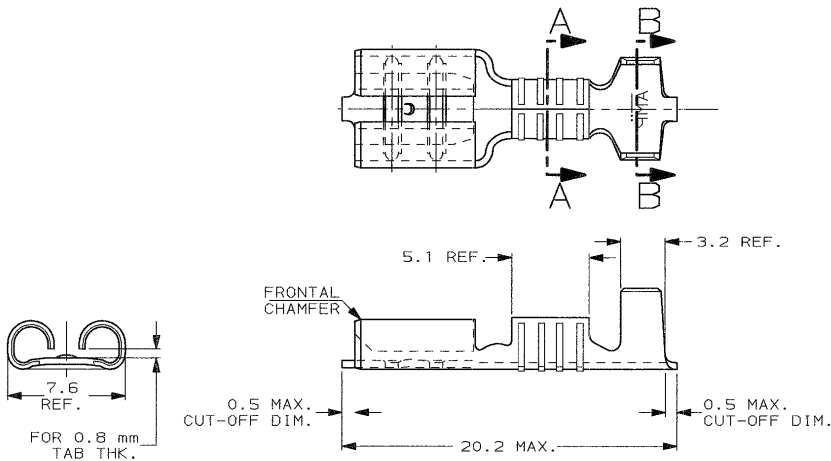


SCALA NON IMPERATIVA  
(DO NOT SCALE)  
DIMENSIONI IN  
(DIMENSIONS IN) mm

**METRIC**

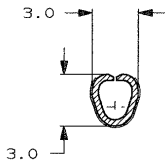


THIRD ANGLE  
PROJECTION

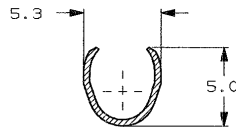


- 1) PER LE VERSIONI IN NASTRO  
VEDERE DISEGNO 280001  
(FOR STRIP FORM VERSION SEE DRAWING 280001)
- 2) CONFEZIONAMENTO IN ACCORDO  
ALLA SPECIFICA AMP 107-20201  
(PACKAGED ACCORDING TO AMP SPEC. 107-20201).

SEZIONE A-A  
SECTION A-A



SEZIONE B-B  
SECTION B-B



NUDO (UNPLATED)	OTTONE (BRASS)	0-181903-4	G
STAGNATO (TIN PLATED)	OTTONE (BRASS)	0-181903-1	G
FINITURA / COLORE (FINISH / COLOUR)	MATERIALE (MATERIAL)	NUMERO (PART NUMBER)	REV

CUSTOMER DWG. FOR REFERENCE ONLY      DISEGNO PER CLIENTE SOLO PER RIFERIMENTO

THIS DRAWING IS UNPUBLISHED.	RELEASE FOR PUBLICATION	19
© COPYRIGHT 19 BY AMP INCORPORATED, HARRISBURG, PA. ALL INTERNATIONAL RIGHT RESERVED. AMP PRODUCTS MAY BE COVERED BY U.S. AND FOREIGN PATENT AND/OR PATENT PENDING.		
TOLLERANZE, SE NON DIVERSAMENTE SPECIFICATO (TOLERANCES, UNLESS OTHERWISE SPECIFIED)	DIAM. ISOLANTE (INS. DIA. RANGE)	RANGO FILE (WIRE RANGE)
± 0.3	3.0-4.3	1.0-2.5
ANGOLI (ANGLES)	± 2°	SCALA (SCALE)
		4:1
<b>AMP</b> AMP ITALIA S.p.A. CORR. F.lli Cervi, 15 COLLENO (TORINO)		
DIS. H. YAALI (DR.) 15 SEP 2000	DESCRIZIONE (DESCRIPTION)	FASTON® Connector, .250" sr. REC. CONTACT, (LOOSE PIECE VERSION)
CONF. C. TARTARI (CHK) 15 SEP 2000	LOC. SIZE NUMERO (LONG NO)	REV. FOGLIO (SHEET)
G OBSOLETE PARTS & REDRAWN ETOD-0161-01	APP. -	I A3 C-181903 G 1
REV. REVISIONI (REVISION RECORD)	DIS. DATA (DR) (DATE)	1 OF 1

DISTRIBUZIONE  
DISTRIBUZIONE