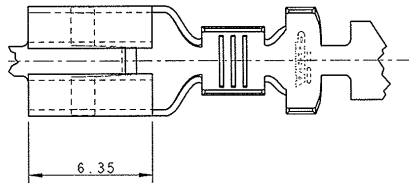
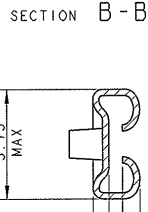
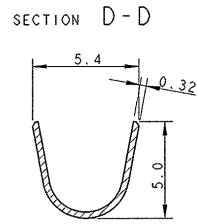
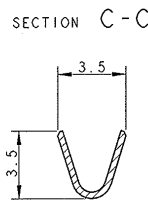
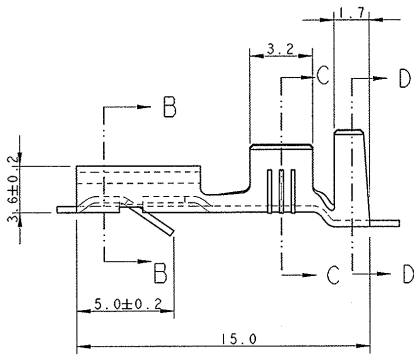


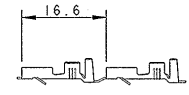
THIS DRAWING IS UNPUBLISHED. RELEASED FOR PUBLICATION 2003
 © COPYRIGHT 2003 BY TYCO ELECTRONICS CORPORATION. ALL RIGHTS RESERVED.

LOC	DIST	REVISIONS				
P	LTR	DESCRIPTION	DATE	DWR	APVD	
L		REDRAWN CHANGED BASE MTL. ET00-0108-04	17MAY2004	AV	GT	



ADATTO PER UNA LINGUETTA DI 0.8 mm DI SPESSORE
 (SUITABLE FOR 0.8 mm THK TAB)

1) CONDIZIONI DI FORNITURA
 (SUPPLYING CONDITION)



SENSO DI USCITA DELLA BOBINA
 (DIRECTION OFF TOP OF REEL)

2) BOBINATO SU BOBINA DA 12" CON CARTA INTERPOSTA TRA LE SPIRE
 (REELED ON 12" CARTON REEL WITH INTERLEAVE PAPER STRIP)

DIAMETRO ISOLANTE 3.0 - 4.3 mm
 (INS. DIA. RANGE 3.0-4.3mm)

RANGO FILO 1.0-2.5 mm²
 (WIRE RANGE 1.0-2.5 mm²)

PART NUMBER 281197-2 AS SHOWN

<small>THIS DRAWING IS A CONTROLLED DOCUMENT FOR TPCO ELECTRONICS CORPORATION IT IS SUBJECT TO CHANGE AND THE CONTROLLING ENGINEERING ORGANIZATION SHOULD BE CONTACTED FOR THE LATEST REVISIONS.</small>		DWN 17MAY2004 CHK A. Vecchia G. Tartari APVD G. Turco	tyco Electronics tyco Electronics AMP Italia S.p.A. 10093 Collegno TO
DIMENSIONS: mm	TOLERANCES UNLESS OTHERWISE SPECIFIED: 0 PLC ±0.3 1 PLC ± 2 PLC ± 3 PLC ± 4 PLC ± ANGLES ±°	NAME PRODUCT SPEC 20020 APPLICATION SPEC 20011	FASTIN-FASTON Connector 4.8 mm sr. REC. CONTACT
MATERIAL BRONZO FOSFOROSO (PH. BRONZE)	FINISH PRE-STAGNATO (Pre-tin plated)	WEIGHT CUSTOMER DRAWING	SIZE A3 CAGE CODE 00779 DRAWING NO. C=281197 RESTRICTED TO
SCALE 5:1			SHEET 1 OF 1 REV L