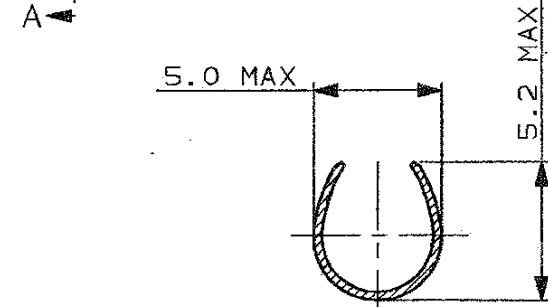
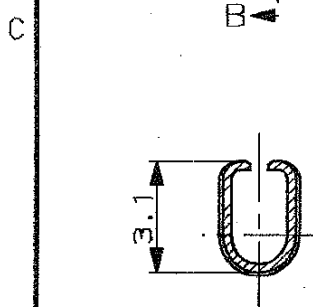
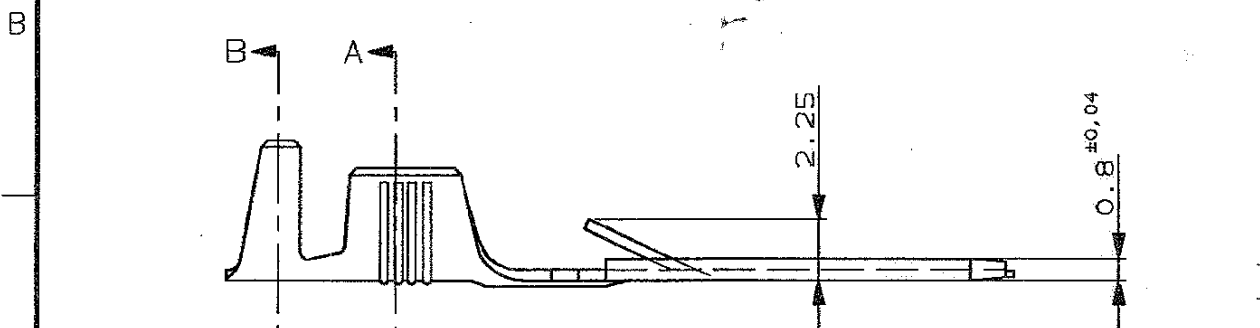
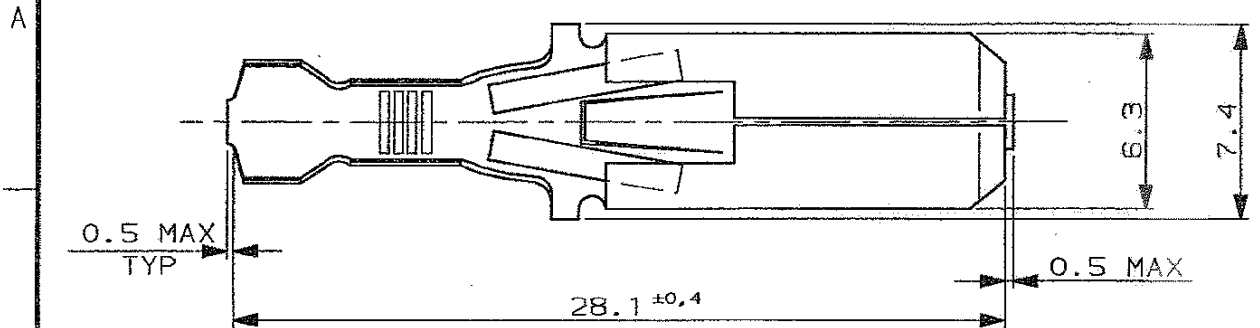


SCALA NON IMPEGNATIVA  
(DO NOT SCALE)  
DIMENSIONI IN  
(DIMENSIONS IN) mm

METRIC

PROIEZIONE EUROPEA  
(EUROPEAN PROJECTION)



SECTION A-A

SECTION B-B

<b>OBSOLETE</b>	ARGENTATO (SILVER PLATED)	BRONZO FOSFOROSO (PHOSFOR BRONZE)	160451-3
	STAGNATO (TIN PLATED)	BRONZO FOSFOROSO (PHOSFOR BRONZE)	160451-2
	NUDO (PLAIN)	BRONZO FOSFOROSO (PHOSFOR BRONZE)	<del>160451-1</del>
	FINITURA / COLORE (FINISH / COLOUR)	MATERIALE (MATERIAL)	NUMERO (PART NUMBER)

CUSTOMER DWG. FOR REFERENCE ONLY      DISEGNO PER CLIENTE SOLO PER RIFERIMENTO

THIS DRAWING IS UNPUBLISHED		RELEASE FOR PUBLICATION	19
© COPYRIGHT 19 BY TE INCORPORATED, HARRISBURG, PA. ALL INTERNATIONAL RIGHT RESERVED. TE PRODUCTS MAY BE COVERED BY U.S. AND FOREIGN PATENT AND/OR PATENT PENDING			
TOLLERANZE: SE NON DIVERSAMENTE SPECIFICATO (TOLERANCES, UNLESS OTHERWISE SPECIFIED)	DIAM. ISOLANTE (INS. DIA. RANGE)	RANGO FILO (WIRE RANGE)	SCALA (SCALE)
± 0.3	3.1-4.1mm	0.8-2.1mm <sup>2</sup>	---
ANGOLI (ANGLES)	<b>TE</b> TE Connectivity		
± 2°			

DISTRIBUZIONE (PRINT DIST.)	D1	ECR-10-022530	KK	DIS. P. ZAMPIROLO (DR.) 01-02-2001	DESCRIZIONE (DESCRIPTION) .250 SERIES FASTIN FASTON TAB (LOOSE PIECE)	REV.	FOGLIO (SHEET) 1	
	D	UNIFY CUST. TO PROD. DWG REV.		CONT. R. MARTINI (CHK) 01-02-2001	LOC. SIZE NUMERO (DWG NO) IA4 C-160451	D1	DI (COP) 1	
	O	REDRAWN BY CAD PER E100-0041-01	P.Z.	APP. (APP.)				
	REV.	REVISIONI (REVISION RECORD)	DIS. DATA (DR) (DATE)					