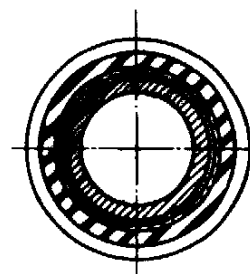
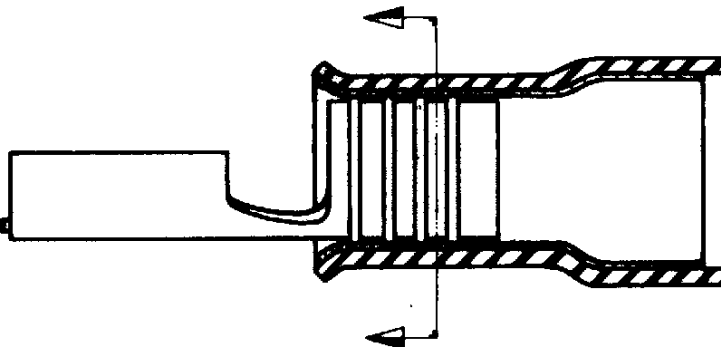
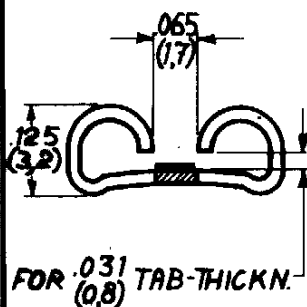
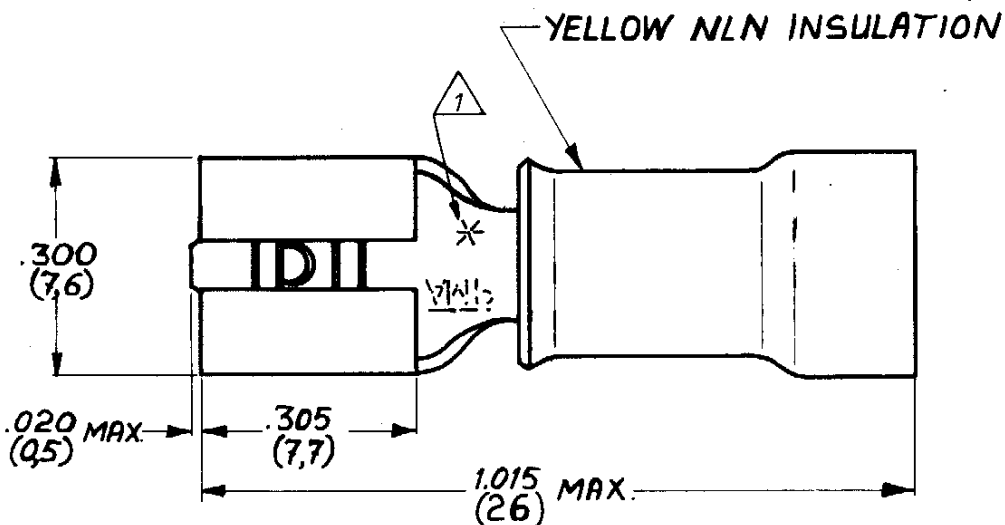


DRAWING MADE IN AMERICAN PROJECTION

P	LTR	DESCRIPTION	DATE	DWN	APVD
	K3	REVISED PER ECO-11-004820	11MAR11	RK	HMR

NUMBER C-160314



- 1 ASTERISK * FOR PHBRONZE VERSION ONLY.
- 2 OBSOLETE - NO REPLACEMENT
- 3 DIMENSIONS IN () ARE IN MM.

RECEPTACLE MATERIAL THICKN.: ⁰¹⁸(0,45)

CUSTOMER COPY FOR REFERENCE ONLY



TE Connectivity

2-160314-5	160314-5 MOUNTED ON TAPE
160314-8	PH. BRONZE TIN-LEAD
160314-5	PHOS. BRONZE PRE-TINNED
2-160314-2	160314-2 MOUNTED ON TAPE
160314-4	BRASS -GOLD-
160314-2	TIN

WIRE-RANGE	INSUL-RANGE	Vol	±.015
4-6mm ²	2.50 MAX.DIA	2 PLC	±(0.38)
SCALE	SIZE	NO	REV
	A	C-160314	K3

DR	DATE	DE	DATE
R. NISSER	4-71		
CHK	DATE	APP	DATE
			16.4.72

NAME 250 Ser. PIDG FASTON RECEPTACLE

INCHES DIMENSIONS IN () DO NOT SCALE PRINT