

4

3

2

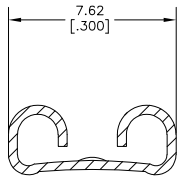
1

THIS DRAWING IS UNPUBLISHED. RELEASED FOR PUBLICATION  
 © COPYRIGHT BY TYCO ELECTRONICS CORPORATION. ALL RIGHTS RESERVED.

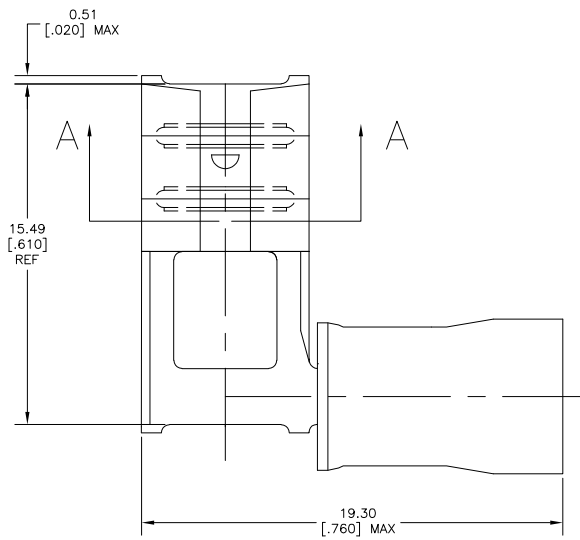
| LOC | DIST | REVISIONS |     |                       |         |    |      |
|-----|------|-----------|-----|-----------------------|---------|----|------|
| G   | 86   | P         | LTR | DESCRIPTION           | DATE    | BY | APPD |
|     |      | B1        |     | REV PER ECR 06-020366 | 24AUG06 | JR | TM   |

**AMP WIRE RANGE**  
 1.2-2.0 mm<sup>2</sup>  
 [16-14] AWG  
 STRANDED

- 1 WIRE INSULATION O.D. IS 2.88-4.32 [ .115-.170 ].
  - 2 FITS TAB 6.35±0.08 X 0.81±0.025 [ .250±.003 X .032±.001 ].
- ⚠ MATERIAL: BODY - 0.41 [.016] BRASS  
 SLEEVE - COPPER  
 INSULATION - NYLON
- ⚠ FINISH: BODY - TIN-PLATED  
 SLEEVE - TIN PLATED  
 INSULATION - COLOR BLUE



SECTION A-A



| 1000 | LOOSE PIECE  | 156666-1 |
|------|--------------|----------|
| QTY  | PACKAGE TYPE | PART NO. |

|   |  |                              |   |
|---|--|------------------------------|---|
| THIS DRAWING IS A CONTROLLED DOCUMENT.  |  | DR: J.R. RUTH 030CT02        | Tyco Electronics Corporation<br>Harrisburg, PA 17105-3608   |
| DIMENSIONS: INCHES  |  | CHK: T. MICHELJUTTI 030CT02  |   |
| DIMENSIONS: MILLIMETERS<br>0 PLC ± .015<br>1 PLC ± .015<br>2 PLC ± .015<br>3 PLC ± .015<br>4 PLC ± .015<br>ANGLES ± .5° |  | APPD: T. MICHELJUTTI 030CT02 | NAME: RECEPTACLE, 250 SERIES, FLAG FASTON, PIDG, WIRE SIZE 16-14 AWG                              |
| MATERIAL: - ⚠   |  | APPLICATION SPEC: -          | SIZE: A2  |
| FINISH: - ⚠   |  | WEIGHT: -                    | QTY: 1000   |
|   |  | CUSTOMER DRAWING             | CASE CODE: C=156666<br>DRAWING NO: 156666-1<br>RESTRICTED TO: -<br>SCALE: 8:1 SHEET 1 of 1 REV B1 |

AMP 1471-9 REV 31MM2000

156666

A