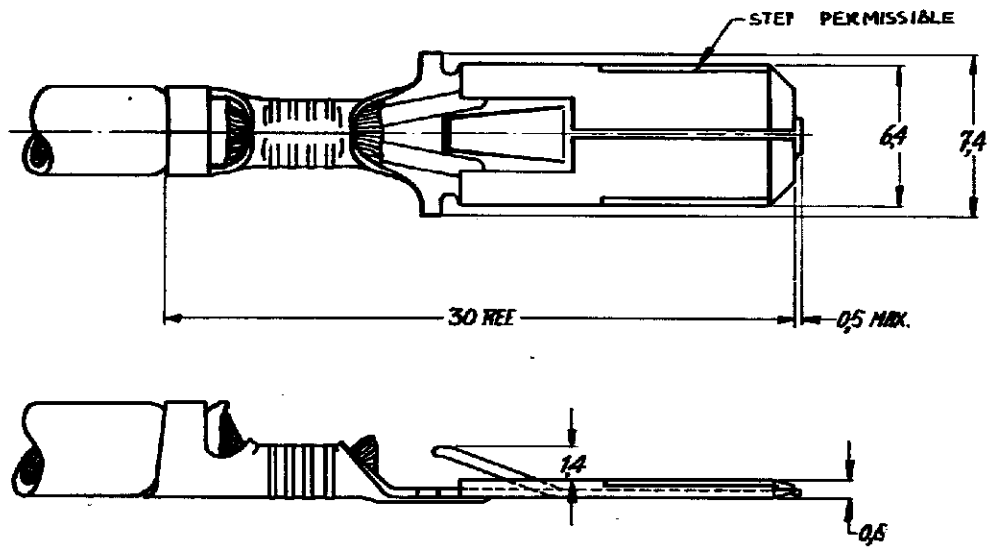


NUMBER C-160450-E

DRAWING MADE IN AMERICAN PROJECTION

REVISIONS

P	LTR	DESCRIPTION MODIFICATIONS	DATE	DWN	APVD
	C1	REVISED PER ECO-10-000445	18JAN10	JK	HMR



- 1 FOR USE ON STANDARD APPLICATORS (RIGHT-LEFT FEED)
- 2 FOR USE ON MINIATURE APPLICATORS (LEFT-RIGHT FEED ; AMP-O-MATOR APPLICATORS)
- 3 OBSOLETE PARTS: OBSOLETE CIS STREAMLINING PER D.RENAUD/D.SINISI

DIMENSIONS IN IN. DO NOT SCALE PRINT

160450-6	PHOSPHOR BR	TIN-LEAD	W2
160450-5	BRASS	SILVER	1
160450-4	BRASS	NONE	1
160450-3	PHOSPHOR BR.	SILVER	1
160450-2	PHOSPHOR BR.	TIN	W2
160450-1	PHOSPHOR BR.	—	1

CUSTOMER COPY FOR REFERENCE ONLY

©1968 BY AMP-HOLLAND N.V. ALL RIGHTS RESERVED A-MP PRODUCTS COVERED BY PATENTS AND/OR PATENTS PENDING.

AMP
AMP-HOLLAND N.V.
'HERTOGENBOSCH
HOLLAND

WIRE RANGE 08-25 mm ²	INSUL. RANGE 3-4 mm	FIRST USED
SCALE 4:1	LOC H	SIZE A
NO C-160450-E		REV C1

NAME
250 SERIES FASTIN-FASTON TAB

ORDER NO.	MATERIAL	PLATING	WIRE
DR. <i>123-123</i>	DATE DE <i>12/1/68</i>	DATE DE <i>12/1/68</i>	DATE DE <i>12/1/68</i>
CHK	DATE	APP	DATE