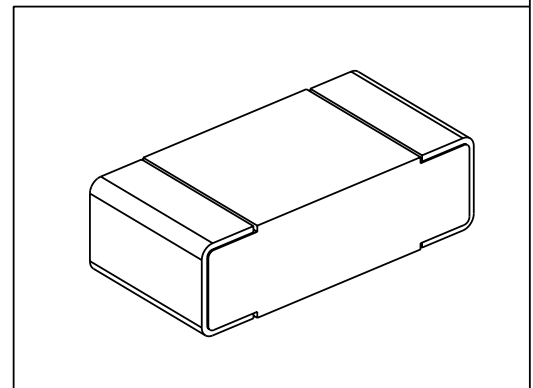
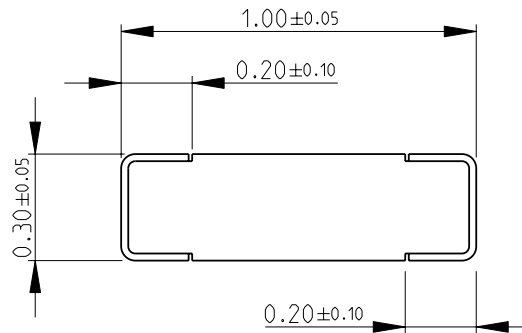
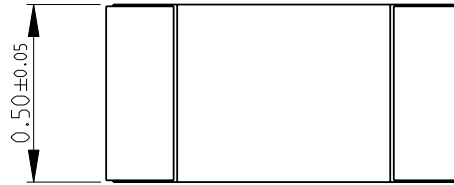


| LOC | DIST | REVISIONS | | | | |
|-----|------|-------------|---------------------------|-----------|------|-----|
| P | LTR | DESCRIPTION | DATE | DWN | APVD | |
| E | B | BA1 | REVISED PER ECO-11-005150 | 29MAR2011 | RK | HMR |

FOR FURTHER INFORMATION SEE DATA SHEET FOR
CPF SERIES-THIN FILM PRECISION CHIP RESISTORS



RoHS Compliant

2008

RELEASED FOR PUBLICATION

ALL RIGHTS RESERVED.

BY -

2008

THIS DRAWING IS UNPUBLISHED.



| | | | | | | | | | |
|--|------------------|-----------|---|----------|-----------|--------|------------|---------------|------|
| DIMENSIONS: mm | DWN | SUBHASH.M | 27-Sep-08 | MATERIAL | - | FINISH | - | | |
| | CHK | PRAKASH.S | 27-Sep-08 | | | | | | |
| TOLERANCES UNLESS OTHERWISE SPECIFIED: | APVD | STEPHEN.P | 27-Sep-08 | | | | | | |
| 0 PLC ± 0.2 | PRODUCT SPEC | - | NAME THIN FILM PRECISION CHIP RESISTORS | | | | | | |
| 1 PLC ± 0.1 | APPLICATION SPEC | - | SERIES CPF 0402 | | | | | | |
| 2 PLC ± - | WEIGHT | - | SIZE | A 4 | CAGE CODE | 00779 | DRAWING NO | RESTRICTED TO | |
| 3 PLC ± - | | | C= | | 1879208 | | | - | |
| 4 PLC ± - | | | CUSTOMER DRAWING | | | | | SCALE | 50:1 |
| ANGLES ± 5° | | | SHEET | | 1 | | OF | 1 | |
| | | | REV | | BA1 | | | | |