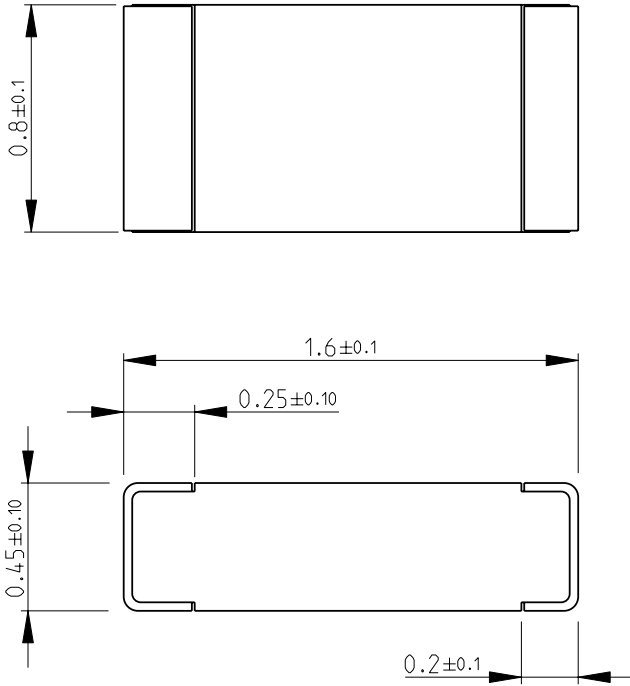
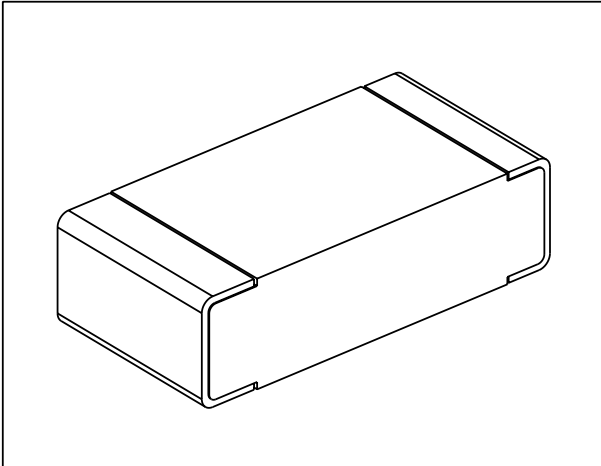


LOC	DIST	REVISIONS				
P	LTR	DESCRIPTION	DATE	DWN	APVD	
	BA1	REVISED PER ECO-11-005150	29MAR2011	RK	HMR	

FOR FURTHER INFORMATION SEE DATA SHEET FOR
CPF SERIES-THIN FILM PRECISION CHIP RESISTORS



RoHS Compliant



2008

RELEASED FOR PUBLICATION

ALL RIGHTS RESERVED.

BY -

2008

THIS DRAWING IS UNPUBLISHED.

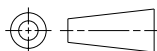


DIMENSIONS:

mm

TOLERANCES UNLESS OTHERWISE SPECIFIED:

0 PLC	± 0.5
1 PLC	± 0.2
2 PLC	± 0.1
3 PLC	$\pm -$
4 PLC	$\pm -$
ANGLES	$\pm 5^\circ$



DWN SUBHASH.M 24-Sep-08

MATERIAL - FINISH -

CHK PRAKASH.S 24-Sep-08

APVD STEPHEN.P 24-Sep-08

PRODUCT SPEC -

APPLICATION SPEC -

WEIGHT -

MATERIAL - FINISH -



TE Connectivity

NAME THIN FILM PRECISION CHIP RESISTORS
SERIES CPF 0603

SIZE	CAGE CODE	DRAWING NO	RESTRICTED TO
A 4	00779	©= 1676481	-

CUSTOMER DRAWING SCALE 40:1 SHEET 1 OF 1 REV BA1