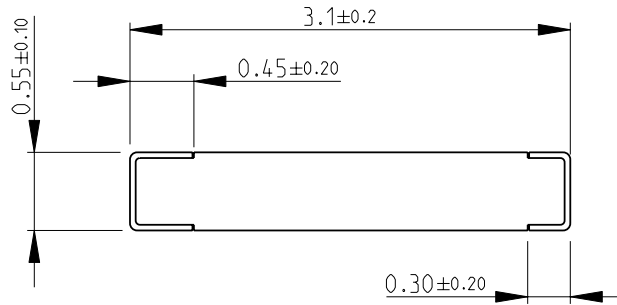
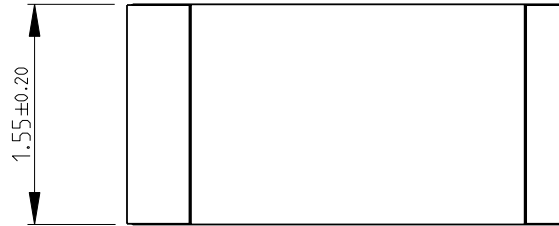
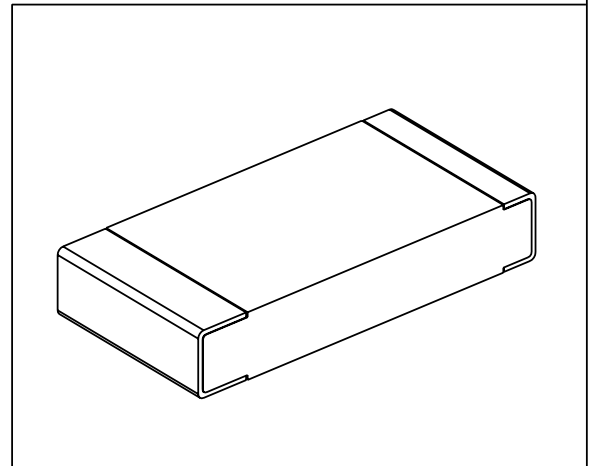


LOC	DIST	REVISIONS					
E	B	P	LTR	DESCRIPTION	DATE	DWN	APVD
			BA	NEW RELEASE	24-Sep-08	SM	St.P

FOR FURTHER INFORMATION SEE DATA SHEET FOR
CPF SERIES-THIN FILM PRECISION CHIP RESISTORS



RoHS Compliant




2008

RELEASED FOR PUBLICATION

THIS DRAWING IS UNPUBLISHED.

© COPYRIGHT 2008 BY TYCO ELECTRONICS CORPORATION. ALL RIGHTS RESERVED.

DIMENSIONS: mm TOLERANCES UNLESS OTHERWISE SPECIFIED: 0 PLC ±0.2 1 PLC ±0.1 2 PLC ±- 3 PLC ±- 4 PLC ±- ANGLES ±5°	DWN SUBHASH.M	24-Sep-08	MATERIAL -	FINISH -			
	CHK PRAKASH.S	24-Sep-08	 Tyco Electronics Corporation Dorcan, Swindon, SN3 5HH				
APVD STEPHEN.P	24-Sep-08	NAME THIN FILM PRECISION CHIP RESISTORS SERIES CPF 1206					
	PRODUCT SPEC -	APPLICATION SPEC -	SIZE A 4	CAGE CODE 00779	DRAWING NO C= 1614973	RESTRICTED TO -	
	WEIGHT -		CUSTOMER DRAWING		SCALE 20:1	SHEET 1 OF 1	REV BA