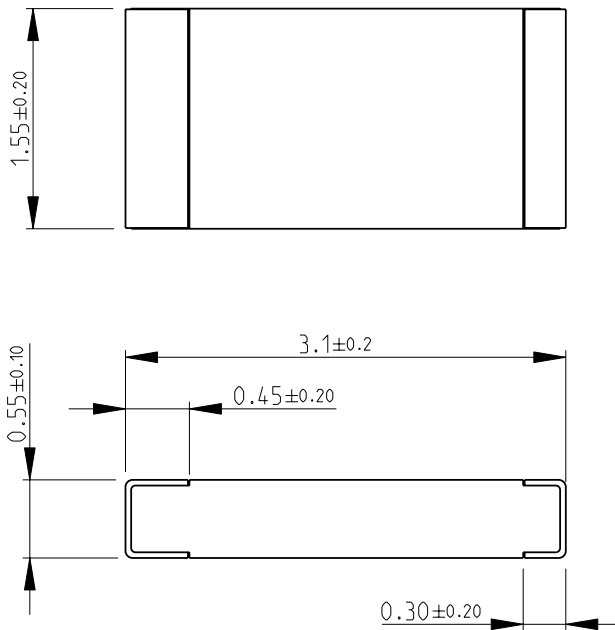
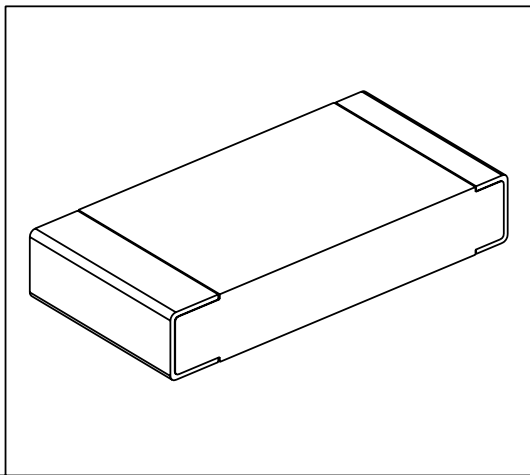


LOC	DIST	REVISIONS					
E	B	P	LTR	DESCRIPTION	DATE	DWN	APVD
			BA	NEW RELEASE	24-Sep-08	SM	St.P

FOR FURTHER INFORMATION SEE DATA SHEET FOR  
CPF SERIES-THIN FILM PRECISION CHIP RESISTORS



RoHS Compliant



2008

RELEASED FOR PUBLICATION

THIS DRAWING IS UNPUBLISHED.

© COPYRIGHT 2008 BY TYCO ELECTRONICS CORPORATION. ALL RIGHTS RESERVED.

DIMENSIONS: mm  TOLERANCES UNLESS OTHERWISE SPECIFIED:  0 PLC $\pm 0.2$ 1 PLC $\pm 0.1$ 2 PLC $\pm$ 3 PLC $\pm$ 4 PLC $\pm$ ANGLES $\pm 5^\circ$	DWN SUBHASH.M 24-Sep-08 CHK PRAKASH.S 24-Sep-08 APVD STEPHEN.P 24-Sep-08 PRODUCT SPEC - APPLICATION SPEC - WEIGHT -	MATERIAL - FINISH - <b>Tyco Electronics</b> Tyco Electronics Corporation Dorcan, Swindon, SN3 5HH	NAME THIN FILM PRECISION CHIP RESISTORS SERIES CPF 1206
	CUSTOMER DRAWING	SIZE A4 CAGE CODE 00779 DRAWING NO. C= 1614965	RESTRICTED TO - SCALE 20:1 SHEET 1 OF 1 REV BA