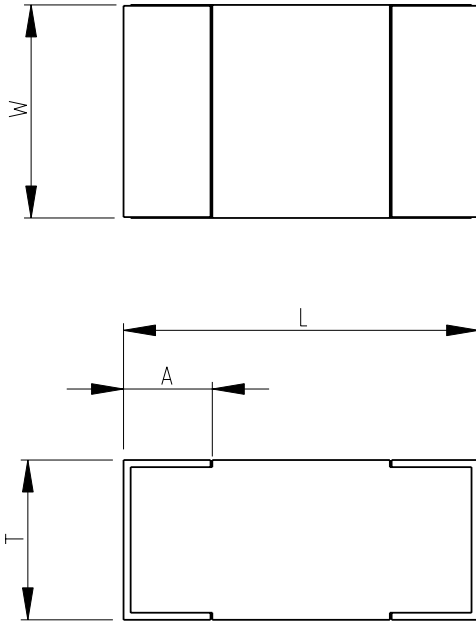


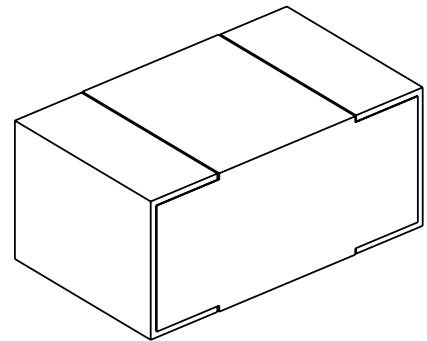
LOC	DIST	REVISIONS					
E	B	P	LTR	DESCRIPTION	DATE	DWN	APVD
				BA1 REVISED PER ECO-11-005150	28MAR2011	RK	HMR

FOR FURTHER INFORMATION SEE DATA SHEET FOR BMB SERIES-MULTILAYER FERRITE BEADS



RoHS Compliant

BMB-A,BMB-B,BMB-L,BMB-R 0805 AND BMB-P 0805 SERIES AS SHOWN



BMB-P 0805				
BMB-R 0805				
BMB-L 0805	2.0±0.20	1.2±0.20	0.9±0.20	0.5±0.30
BMB-B 0805				
BMB-A 0805				
SERIES	L	W	T	A

2008

RELEASED FOR PUBLICATION

ALL RIGHTS RESERVED.

BY -

© COPYRIGHT 2008

THIS DRAWING IS UNPUBLISHED.

DIMENSIONS: mm		DWN SUBHASH.M 15-Sep-08	MATERIAL -	FINISH -
TOLERANCES UNLESS OTHERWISE SPECIFIED:		CHK ALLAN.P 15-Sep-08		
0 PLC ±0.5 1 PLC ±0.2 2 PLC ±0.1 3 PLC ± 4 PLC ± ANGLES ±5°		APVD STEPHEN.P 15-Sep-08		
PRODUCT SPEC -		APPLICATION SPEC -	NAME MULTILAYER FERRITE BEADS SERIES BMB 0805	
WEIGHT -		SIZE A 4	CAGE CODE 00779	DRAWING NO C=1624117
CUSTOMER DRAWING		SCALE 25:1	SHEET 1	OF 1
		RESTRICTED TO -		REV BA1