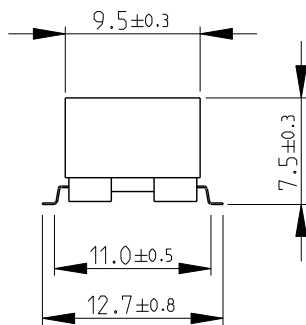
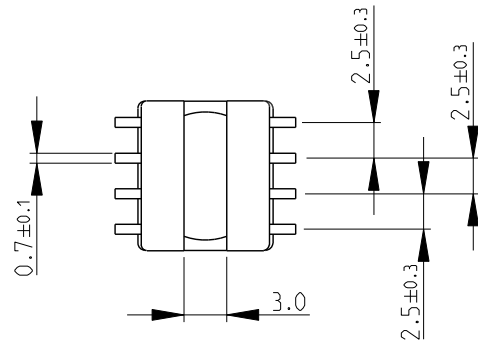
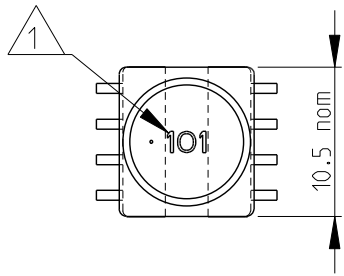
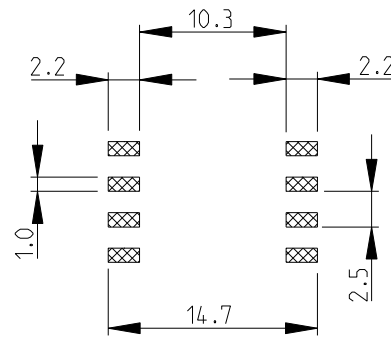


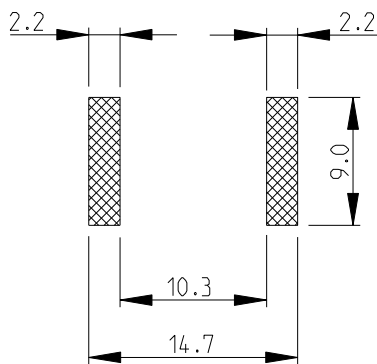
LOC	DIST	REVISIONS					
E	B	P	LTR	DESCRIPTION	DATE	DWN	APVD
		BA1		ECR-11-007268	07APR2011	PSK	AP



RECOMMENDED LAND PATTERN FOR INDUCTANCE VALUES 100 μH OR HIGHER



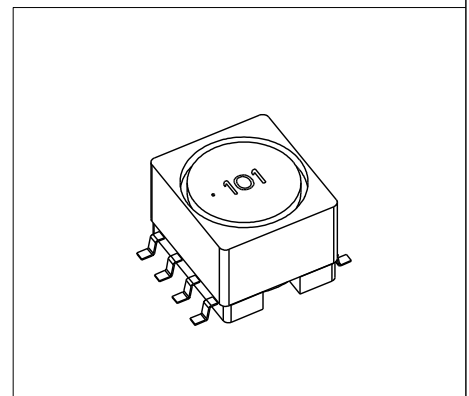
RECOMMENDED LAND PATTERN FOR INDUCTANCE VALUES 1.5 μH - 82 μH



1 INDUCTANCE CODE

2 FOR FURTHER INFORMATION SEE DATA SHEET FOR 3632 SERIES-SHIELDED SMD POWER INDUCTORS

RoHS Compliant



2008
 RELEASED FOR PUBLICATION
 ALL RIGHTS RESERVED.
 THIS DRAWING IS UNPUBLISHED.
 BY -
 © COPYRIGHT 2008

DIMENSIONS: mm	DWN	SUBHASH.M	03-Sep-08	MATERIAL	-	FINISH	-	
	CHK	PRAKASH.S	03-Sep-08					
TOLERANCES UNLESS OTHERWISE SPECIFIED:	APVD	STEPHEN.P	03-Sep-08					
0 PLC ±0.2	PRODUCT SPEC	-	NAME	SHIELDED SMD POWER INDUCTOR				
1 PLC ±0.1	APPLICATION SPEC	-	SIZE	CAGE CODE	DRAWING NO	RESTRICTED TO		
2 PLC ±-			A 4	00779	© = 1625813	-		
3 PLC ±-			CUSTOMER DRAWING				SCALE	2:1
4 PLC ±-							SHEET	1 OF 1
ANGLES ±5°							REV	BA1