

4

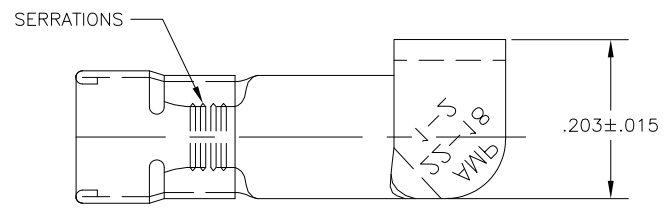
3

2

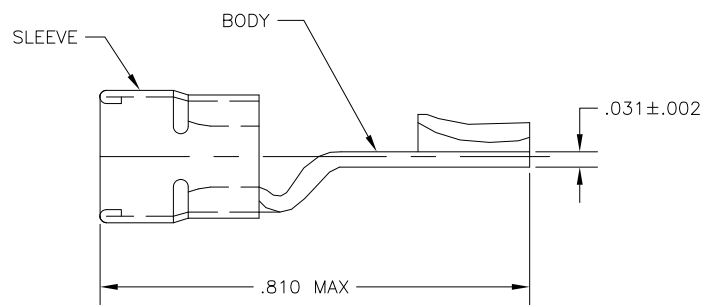
1

THIS DRAWING IS UNPUBLISHED. RELEASED FOR PUBLICATION
 © COPYRIGHT - BY TYCO ELECTRONICS CORPORATION. ALL RIGHTS RESERVED.

LOC	DIST	REVISIONS			
P	LTR	DESCRIPTION	DATE	DWN	APVD
G	86	C	REVISED PER ECR-08-018477	07AUG08	HMR TM



- 1 FOR .105 TO .140 WIRE INSULATION DIA
- 2 MARKING 22-18 FOR MILITARY COMMERCIAL RANGE 22-16.
- △3 BODY & SLEEVE: COPPER PER ASTM-B152
- △4 TIN PLATE .000100 MIN THK PER ASTM-B545



5000	31777 ON TAPE	2-31777-2
1000	LOOSE PIECE	31777
QTY	PACKAGE TYPE	PART NO

THIS DRAWING IS A CONTROLLED DOCUMENT.

DWN RAGAHVENDRA 07AUG08	CHK T MICHIELUTTI 07AUG08	Tyco Electronics Corporation Harrisburg, PA 17105-3608	
APVD T MICHIELUTTI 07AUG08	NAME	WIRE TERMINAL DIAMOND GRIP-KNIFE DISCONNECT WIRE SIZE: 22-16	
DIMENSIONS: INCHES	TOLERANCES UNLESS OTHERWISE SPECIFIED:	SIZE A3	CAGE CODE 00779
0 PLC ± -	1 PLC ± -	DRAWING NO C=31777	RESTRICTED TO
2 PLC ± -	3 PLC ± .008	WEIGHT	-
4 PLC ± -	ANGLES ± 5'	CUSTOMER DRAWING	SCALE 5:1 SHEET 1 of 1 REV C
MATERIAL △3	FINISH △4		