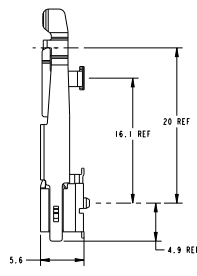
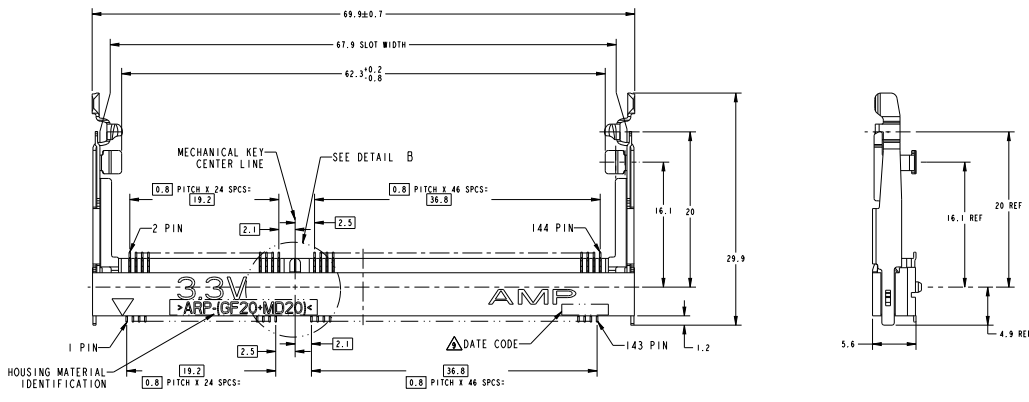
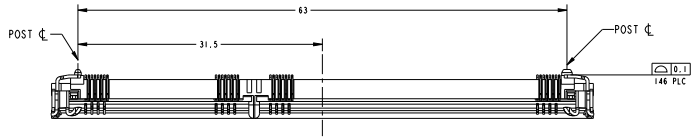
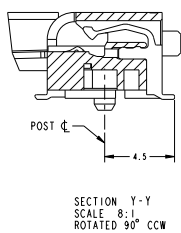
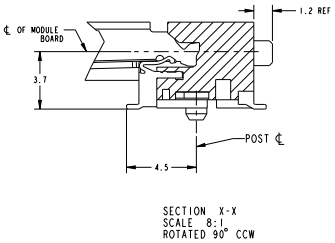
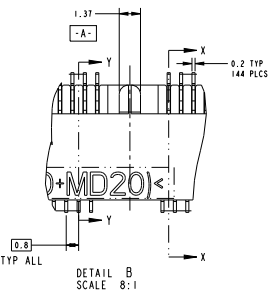


REV	DATE	DESCRIPTION	BY	CHKD	APPD
L	6/23/97	REVISED PER FP90-6321-02	JMMH0	LSK	ET
M	7/20/97	REVISED PER 90083-03	JMMH0	LSK	LSF
N	10/20/97	REVISED ECR-95-100151	JMMH0	LSK	LSF
P	10/20/97	REVISED PER ECR-10-007858	JMMH0	LSK	LSF



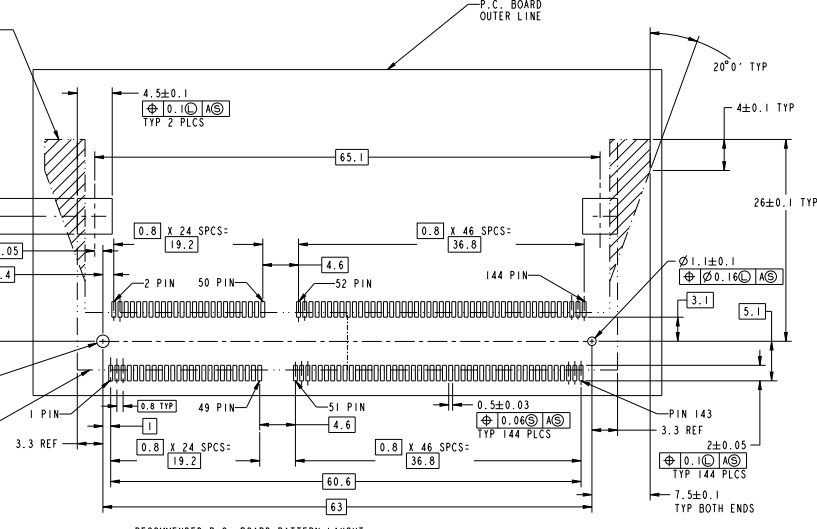
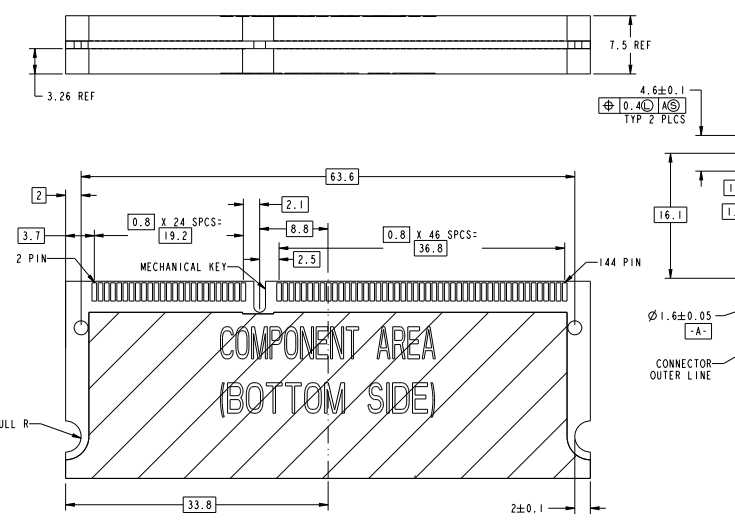
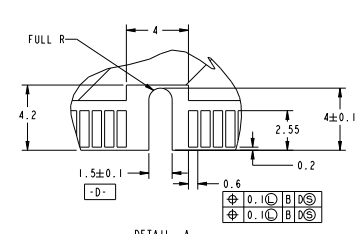
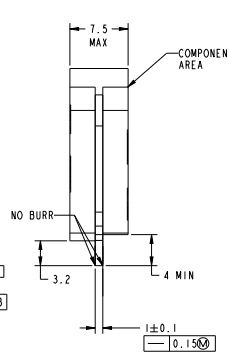
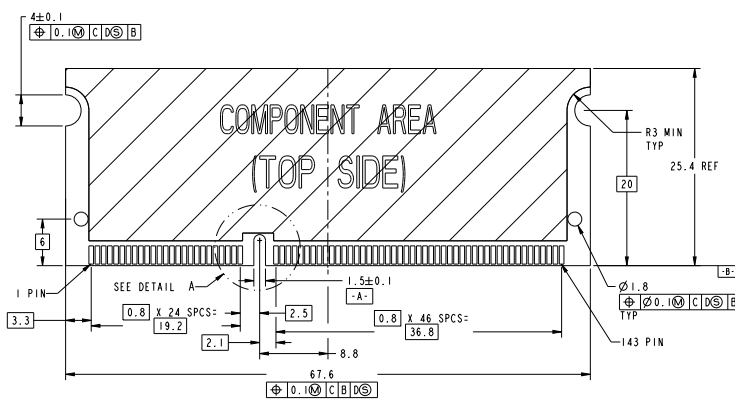
- △ MATERIAL: HOUSING: HIGH TEMPERATURE PLASTIC UL94V-0, NAT. CONTACT: COPPER ALLOY LOCK LEVER: SUS301 TIN PLATING.
- △ FINISH: CONTACT AREA: 0.00025 MIN GOLD PLATE ON 0.001 MIN ALL OVER NICKEL SOLDERING AREA: 0.00005 MIN TO 0.00030 MAX GOLD PLATE
- 3. TOLERANCES NON-ACCUMULATIVE.
- △ PART TO BE PACKAGED PER EIA IS-704 STANDARD. REEL DIAMETER IS 559 mm, TAPE WIDTH IS 88 mm, AND TAPE PITCH IS 36 mm.
- △ PACKAGED IN HARD TRAY.
- △ FINISH: CONTACT AREA: 0.00025 MIN GOLD PLATE ON 0.001 MIN ALL OVER NICKEL SOLDERING AREA: BRIGHT TIN-LEAD
- △ PART PACKAGED PER EIA IS-704 STANDARD. REEL DIAMETER SHALL BE 330mm, TAPE WIDTH SHALL BE 88mm, AND TAPE PITCH SHALL BE 36mm.
- △ REVERSE REELING.
- △ DATE CODE (4-DIGITS), LOCATED AS SHOWN. TO BE INTERPRETED AS FOLLOWS:  
 DIGIT # 1 - LAST DIGIT OF YEAR.  
 DIGITS # 2 AND # 3 - CALENDAR WEEK.  
 DIGIT # 4 - DAY OF THE WEEK (WITH SUNDAYS AS DAY 1).



NIL	AVAILABLE	△	GRAM 3.3V	144	9-390111-2	△
NIL	AVAILABLE	△	GRAM 3.3V	144	9-390111-1	△
9-390111-1	NOT AVAILABLE	△	GRAM 3.3V	144	6-390111-4	△
9-390111-1	NOT AVAILABLE	△	GRAM 3.3V	144	6-390111-1	△
3-390111-1	NOT AVAILABLE	△	GRAM 3.3V	144	3-390111-4	△
NIL	AVAILABLE	△	GRAM 3.3V	144	3-390111-1	△
390111-1	NOT AVAILABLE	△	GRAM 3.3V	144	390111-4	△
NIL	AVAILABLE	△	GRAM 3.3V	144	390111-1	△

SUPPLIER	DATE	REV	DESCRIPTION	BY	CHKD	APPD
144	6/23/97	1	S.O. DIMM SOCKET ASSY, 0.8mm, 3.3V 144 POSITION, 3.7 MM PROFILE FOR SORAM TYPE MODULE	JMMH0	LSK	ET

REV	DATE	DESCRIPTION	BY	CHK	APP
1		SEE SHEET 1			



SYMBOL	DESCRIPTION	DATE	BY	CHK	APP
1	SEE TABLE	6-23-97			

1100 ELECTRONICS SINGAPORE

S.O. DIMM SOCKET ASSY. 0.8mm, 3.3V 144 POSITION, 3.7MM PROFILE FOR SO8MM TYPE MODULE

STRT CASE CODE DRAWING NO. 00779 390111

CUSTOMER DRAWING