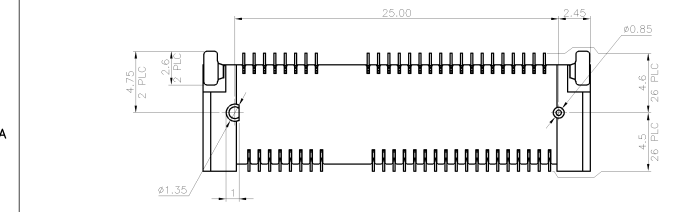
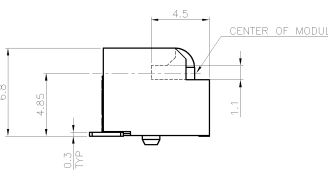
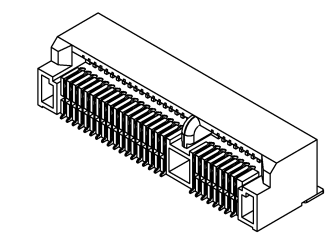
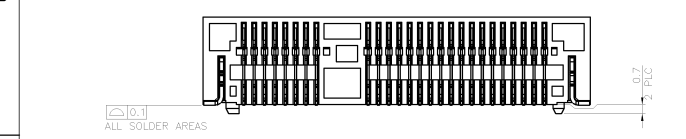
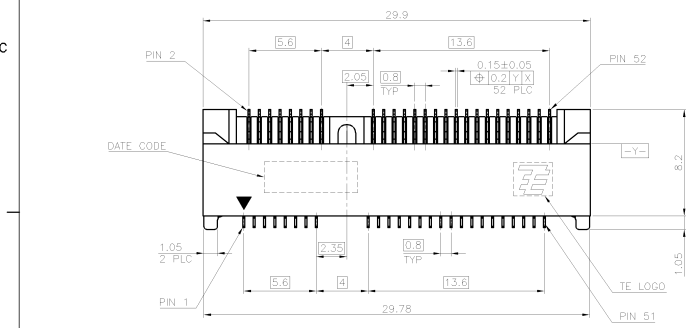
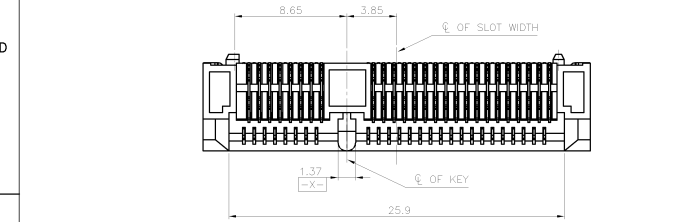


LOC	QIST	REVISIONS		
REV	DATE	DESCRIPTION	DATE	BY
DW				
C	02SEP11	ECR-11-018217	AW	WK

- NOTES:
- MATERIAL:  
HOUSING: LCP WITH 40% GF, UL94 V-0, BLACK COLOR.  
CONTACTS: PHOSPHOR BRONZE.  
PEGS: BRASS.
  - FINISH:  
CONTACTS: (SEE TABLE) GOLD PLATED ON CONTACT AREA, GOLD FLASH ON SOLDER AREA, WITH ENTIRE CONTACT UNDERPLATED 1.27µm [50µ"] MIN. NICKEL.  
PEGS: 2.54µm [100µ"] MIN. MATTE-TIN OVER 1.27µm [50µ"] MIN. NICKEL.
  - REFLOW SOLDER CAPABLE TO 260° PER TEC-109-201, CONDITION B.
  - SUBSTANCE RESTRICTIONS FOR LOW HALOGEN (BY WEIGHT):
    - BROMINE (Br) ≤ 900 PPM (0.09%)
    - CHLORINE (Cl) ≤ 900 PPM (0.09%)
    - TOTAL CONCENTRATION OF CHLORINE (Cl) + BROMINE (Br) ≤ 1500 PPM (0.15%)



PCI-E MINI CARD CONNECTOR SIGNAL ASSIGNMENTS

PIN#	NAME	PIN#	NAME
51	Reserved	52	+3.3Vaux
49	Reserved	50	GND
47	Reserved	48	+15V
45	Reserved	44	LED_WFAN#
43	GND	44	LED_WLAN#
41	+3.3Vaux	42	LED_WWAN#
39	+3.3Vaux	40	GND
37	GND	38	USB_D+
35	GND	36	USB_D-
33	PETp0	34	GND
31	PETn0	32	SMB_DATA
29	GND	30	SMB_CLK
27	GND	28	+15V
25	PERp0	26	GND
23	PERn0	24	+3.3Vaux
21	GND	22	PERST#
19	Reserved* (UIM_C4)	20	W_DISABLE#
17	Reserved* (UIM_C8)	18	GND

MECHANICAL KEY			
15	GND	16	UIM_VPP
13	REFCLK+	14	UIM_RESET
11	REFCLK-	12	UIM_CLK
9	GND	10	UIM_DATA
7	CLKREQ#	8	UIM_PWR
5	COEX2	6	15V
3	COEX1	4	GND
1	WAKE#	2	+3.3Vaux

\* Reserved for future UIM interface (if needed)

mSATA CONNECTOR SIGNAL ASSIGNMENTS

PIN#	NAME	PIN#	NAME
51	Presence Detection	52	+3.3V
49	DA/DSS	50	GND
47	Vendor	48	+15V
45	Vendor	46	Reserved
43	No Connect	44	Reserved
41	+3.3V	42	Reserved
39	+3.3V	40	GND
37	GND	38	Reserved
35	GND	36	Reserved
33	+A	34	GND
31	-A	32	Two Wire Interface
29	GND	30	Two Wire Interface
27	GND	28	+15V
25	-B	26	GND
23	+B	24	+3.3V
21	GND	22	Reserved
19	Reserved	20	Reserved
17	Reserved	18	GND

MECHANICAL KEY			
15	GND	16	Reserved
13	Reserved	14	Reserved
11	Reserved	12	Reserved
9	GND	10	Reserved
7	Reserved	8	Reserved
5	Reserved	6	+15V
3	Reserved	4	GND
1	Reserved	2	+3.3V

0.254µm [10µ"]	2041262-2
GOLD FLASH	2041262-1
MIN. GOLD THICKNESS	PART NUMBER

THIS DRAWING IS A CONTROLLED DOCUMENT. DWN: J.WU 10MAY2010  
 CHK: S. CHIEN 10MAY2010  
 APPD: W. KODAMA 10MAY2010

DIMENSIONS: MM TOLERANCES UNLESS OTHERWISE SPECIFIED:  
 0.150 ±0.025  
 0.300 ±0.050  
 0.600 ±0.100  
 1.200 ±0.200  
 2.400 ±0.400  
 3.000 ±0.500  
 6.000 ±1.000  
 12.000 ±2.000  
 24.000 ±4.000  
 48.000 ±8.000  
 96.000 ±16.000

PRODUCT SPEC: 108-99102  
 APPLICATION SPEC: CUSTOMER DRAWING

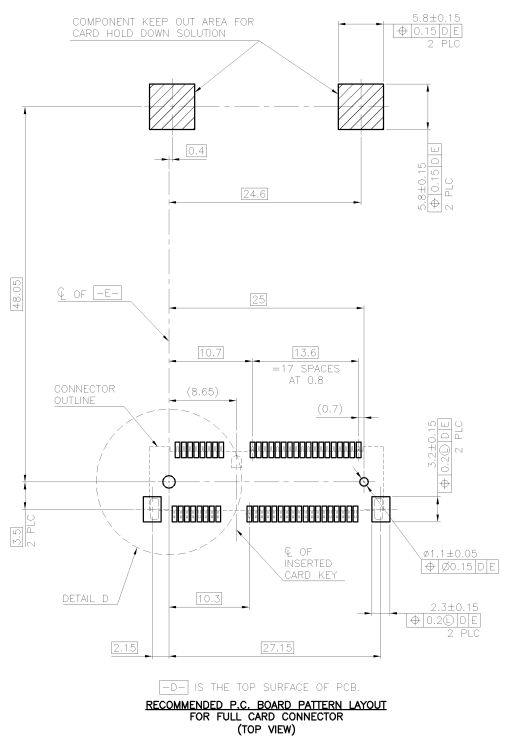
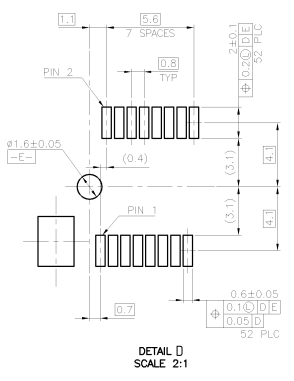
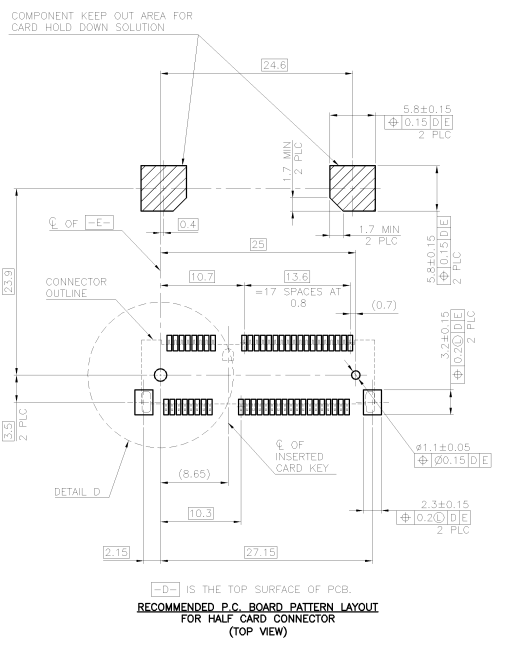
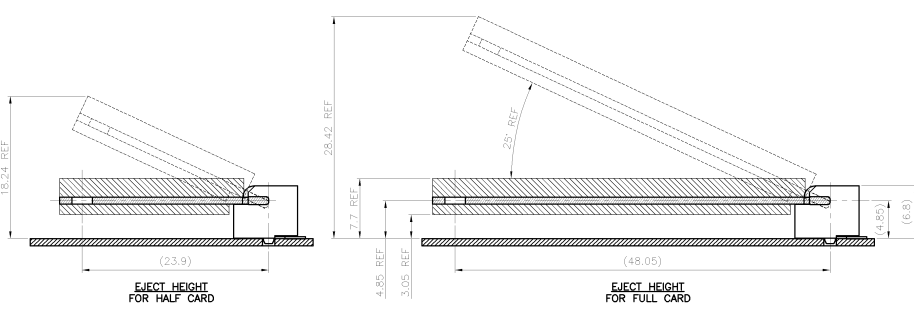
WEIGHT: 2.22 GRAMS  
 CUSTOMER DRAWING

TE Connectivity  
 2 IN 1 mSATA & PCI EXPRESS MINI CARD CONNECTOR, 6.8 MM HEIGHT

SIZE: A2 CAGE CODE: 00779 DRAWING NO: 2041262  
 SCALE: 1:1 SHEET: 1 of 5

THIS DRAWING IS UNPUBLISHED.  
© Copyright 2011 BY TE CONNECTIVITY.  
RELEASED FOR PUBLICATION  
ALL RIGHTS RESERVED.

REVISES		DATE	DRAWN	APP'D
LOC	DIST			
DW				
F	LWR			
		SEE SHEET 1		



THIS DRAWING IS A CONTROLLED DOCUMENT.		DRAWN: A. WU 10MAY2010		2 IN 1 mSATA & PCI EXPRESS MINI CARD CONNECTOR, 6.8 MM HEIGHT			
DIMENSIONS: MM		CHECKED: S. CHIEN 10MAY2010					
TOLERANCES UNLESS OTHERWISE SPECIFIED:		APPROVED: W. KODAMA 10MAY2010	APPLICATION SPEC: -	SIZE: A2	CASE CODE: 00779	DRAWING NO: C=2041262	RESTRICTED TO: -
0 PLC ±		PRODUCT SPEC: -					
1 PLC ±		WEIGHT: -	CUSTOMER DRAWING				
2 PLC ±		FINISH: -					
3 PLC ±							
4 PLC ±							
5 PLC ±							
6 PLC ±							
7 PLC ±							
8 PLC ±							
9 PLC ±							
10 PLC ±							
11 PLC ±							
12 PLC ±							
13 PLC ±							
14 PLC ±							
15 PLC ±							
16 PLC ±							
17 PLC ±							
18 PLC ±							
19 PLC ±							
20 PLC ±							
21 PLC ±							
22 PLC ±							
23 PLC ±							
24 PLC ±							
25 PLC ±							
26 PLC ±							
27 PLC ±							
28 PLC ±							
29 PLC ±							
30 PLC ±							
31 PLC ±							
32 PLC ±							

1471-9 (3/13)

C-2041262

4

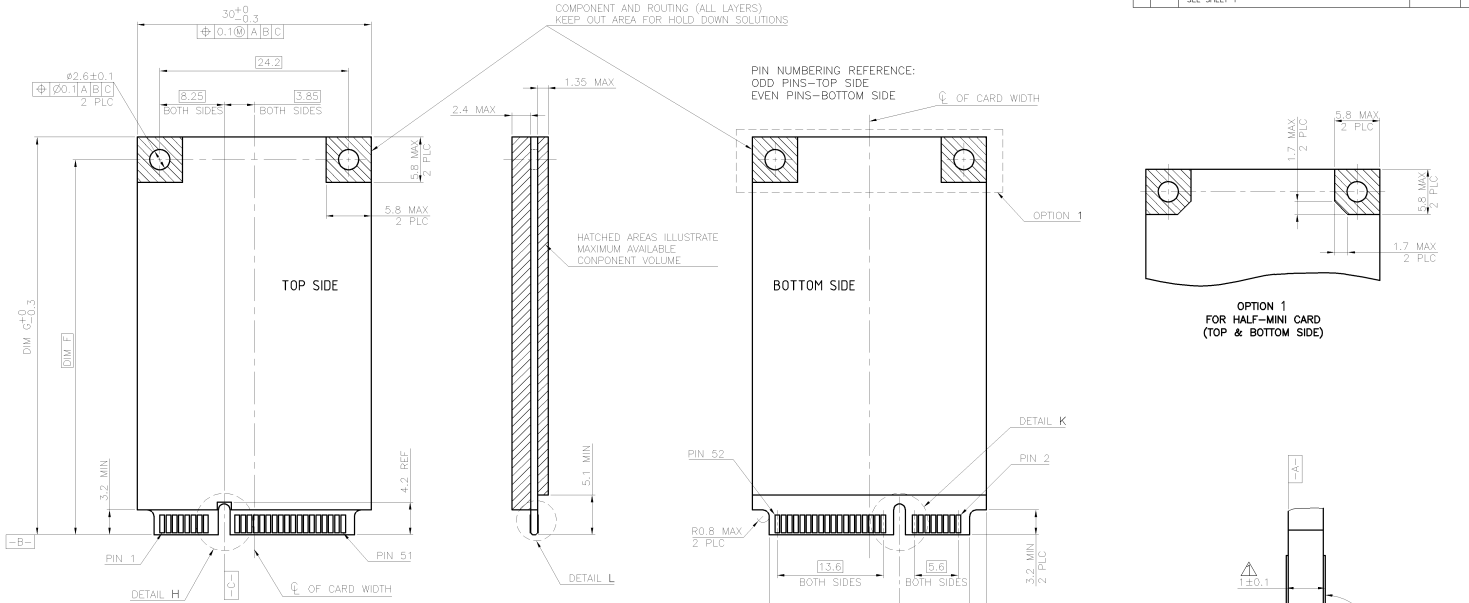
3

2

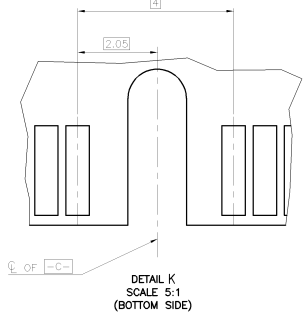
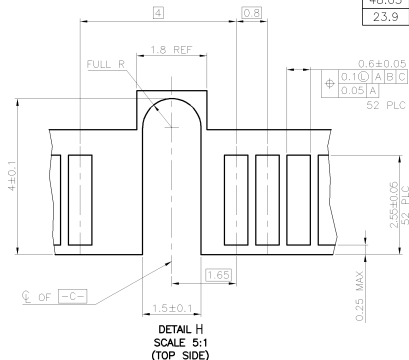
1

THIS DRAWING IS UNPUBLISHED.  
 © Copyright 2011 BY TE CONNECTIVITY. ALL RIGHTS RESERVED.

LOC	REV	DESCRIPTION	DATE	BY	APP'D
DW	—	—	—	—	—
		SEE SHEET 1			



DIM F	DIM G	
48.05	50.95	FULL-MINI CARD
23.9	26.8	HALF-MINI CARD



- NOTES:
- ▲ CARD THICKNESS APPLIES ACROSS TABS AND INCLUDES PLATING AND/OR METALLIZATION.
  - ▲ EDGE BEVEL MUST BE PRESENT AND FREE OF CUTTING BURRS FROM PCB AND CONTACT MATERIALS.

FOR PCI EXPRESS MINI CARD

THIS DRAWING IS A CONTROLLED DOCUMENT.		DATE	10MAY2010	<b>TE Connectivity</b>
DRAWN BY: JLU		CHK	10MAY2010	
DIMENSIONS: MM		APP'D	10MAY2010	<b>2 IN 1 mSATA &amp; PCI EXPRESS MINI CARD CONNECTOR, 6.8 MM HEIGHT</b>
TOLERANCES UNLESS OTHERWISE SPECIFIED:		NAME		
0 PLC	±0.1	APPROVED		RESTRICTED TO
1 PLC	±0.05			—
2 PLC	±0.025			—
3 PLC	±0.015			—
4 PLC	±0.01			—
5 PLC	±0.005			—
MATERIAL	FINISH	SIZE	CAGE CODE	DRAWING NO.
		A2	00779	C=2041262
CUSTOMER DRAWING		SCALE		SHEET 3 of 5

4

3

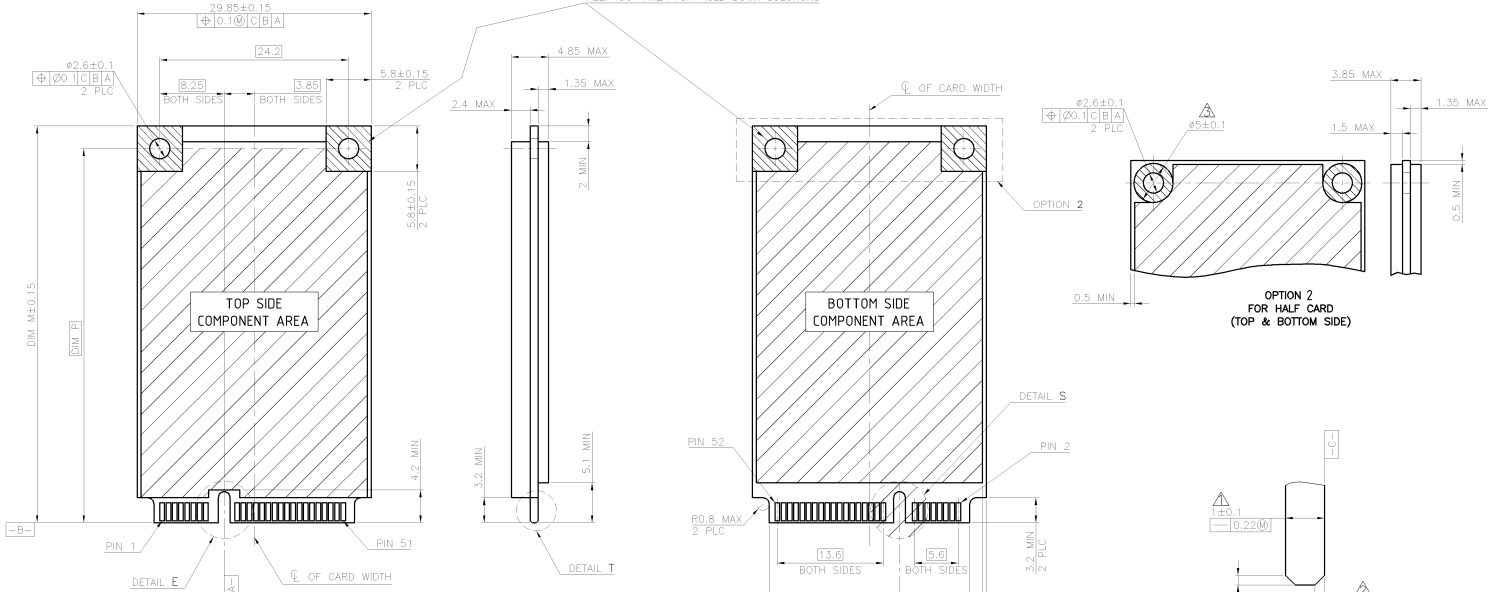
2

1

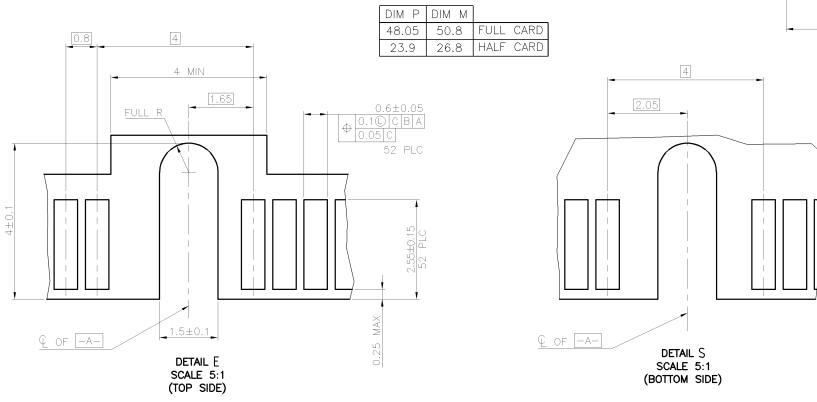
THIS DRAWING IS UNPUBLISHED.  
 © Copyright 2011 BY TE CONNECTIVITY. ALL RIGHTS RESERVED.

LOC	REV	DESCRIPTION	DATE	BY	APP'D
DW	—	—	—	—	—
		SEE SHEET 1			

COMPONENT AND ROUTING (ALL LAYERS)  
 KEEP OUT AREA FOR HOLD DOWN SOLUTIONS



DIM P	DIM M	FULL CARD	HALF CARD
48.05	50.8		
23.9	26.8		



NOTES:

- △ CARD THICKNESS APPLIES ACROSS TABS AND INCLUDES PLATING AND/OR METALLIZATION.
- △ EDGE BEVEL MUST BE PRESENT AND FREE OF CUTTING BURRS FROM PCB AND CONTACT MATERIALS.
- △ COMPONENT AND ROUTING (TOP/BOTTOM LAYER) KEEP OUT AREA FOR HOLD DOWN SOLUTIONS.

FOR mSATA

THIS DRAWING IS A CONTROLLED DOCUMENT.		DW		29MAR2011	
DIMENSIONS: MM		A. WU		29MAR2011	
TOLERANCES UNLESS OTHERWISE SPECIFIED:		S. CHIEN		29MAR2011	
0' PLC ±0.1		W. KODAMA		29MAR2011	
1' PLC ±0.1		—		—	
2' PLC ±0.1		—		—	
3' PLC ±0.1		—		—	
4' PLC ±0.1		—		—	
MATERIAL: FINISH		APPLICATION SPEC: —		SIZE: A2	
—		WEIGHT: —		CAGE CODE: 00779	
—		CUSTOMER DRAWING		DRAWING NO: 2041262	
—		—		RESTRICTED TO: —	
—		—		SCALE: —	
—		—		SHEET: 4 of 5	
—		—		REV: C	

4

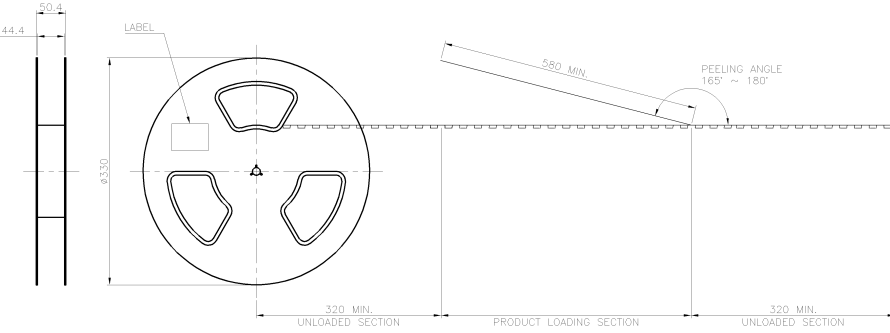
3

2

1

THIS DRAWING IS UNCLASSIFIED.  
 RELEASED FOR PUBLICATION  
 © Copyright 2011 BY TE CONNECTIVITY. ALL RIGHTS RESERVED.

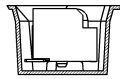
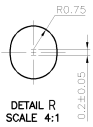
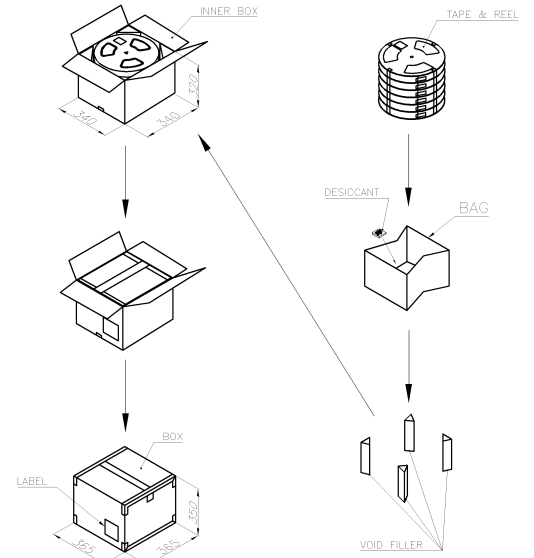
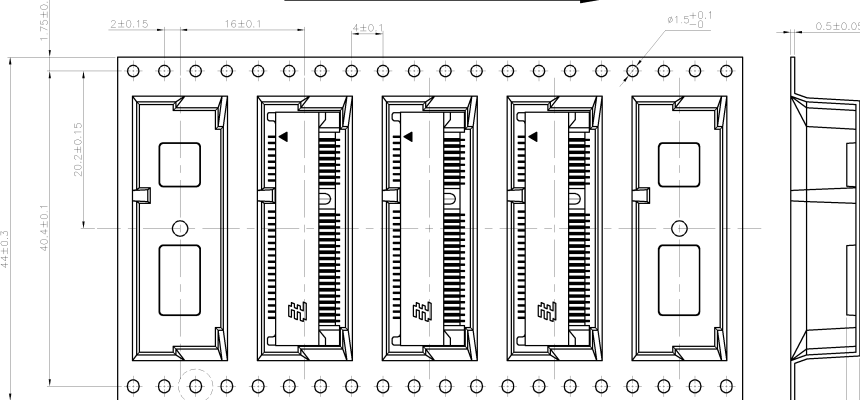
LOC	DIST	REVISIONS	DATE	DRAWN	APPROVED
DW					
		DESCRIPTION			
		SEE SHEET 1			



NOTES:

- MATERIAL:  
 BOX: FIBREBOARD, CORRUGATED, DOUBLE WALL.  
 COVER TAPE: POLYSTYRENES, 120°C HEAT-RESISTANT TEMPERATURE, TRANSPARENT COLOR.  
 CARRIER TAPE: POLYSTYRENES, 120°C HEAT-RESISTANT TEMPERATURE, TRANSPARENT COLOR.  
 REEL: HIPS, 70°C HEAT-RESISTANT TEMPERATURE, BLUE COLOR.  
 BAG: POLYETHYLENES, 100°C HEAT-RESISTANT TEMPERATURE, TRANSPARENT COLOR.
- EACH BAG SHALL BE INCLUDED DESICCANT.
- PEELING STRENGTH: 0.1 ~ 1.3 N (10 ~ 130 GRAMS).
- PEELING SPEED: 300 mm/min.

USER DIRECTION OF UNREELING →



10.47 Kg	5.75 Kg	450	6	2700
GROSS WEIGHT	NET WEIGHT	PCS/TAPE	REELS /BOX	PCS/BOX

THIS DRAWING IS A CONTROLLED DOCUMENT.		DRAWN	A. WU	10MAY2010
		CHECKED	S. CHIEN	10MAY2010
		APPROVED	W. KODAMA	10MAY2010
		PRODUCT SPEC.		
		APPLICATION SPEC.		
		REVISION		
		CUSTOMER DRAWING		

TE Connectivity		2 IN 1 mSATA & PCI EXPRESS MINI CARD CONNECTOR, 6.8 MM HEIGHT		RESTRICTED TO
SIZE	CAGE CODE	DRAWING NO.		
A2	00779	C=2041262		
SCALE		SHEET 5 of 5		REV. C