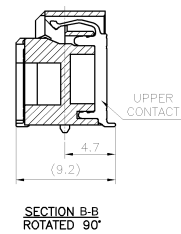
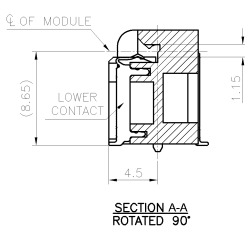
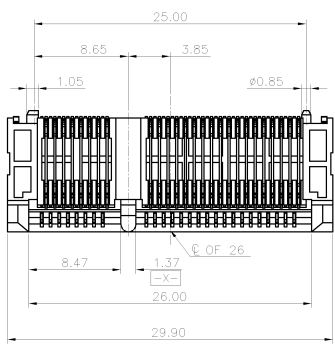


REVISED		DATE	BY	APP'D
LOC	DIST			
DW				
F	LTR			
B		ECR-11-022268	02NOV11	AW WK

- NOTES:
- MATERIAL:
HOUSING: LCP WITH 30% GF, UL94 V-0, BLACK COLOR.
CONTACTS: PHOSPHOR BRONZE.
SOLDER PEGS: BRASS.
 - FINISH:
CONTACTS: GOLD FLASH PLATED OVER 1.27µm [50µ"] MIN. NICKEL ON ENTIRE CONTACT.
SOLDER PEGS: 2.54µm [100µ"] MIN. MATTE-TIN OVER 1.27µm [50µ"] MIN. NICKEL PLATED.
 - REFLOW SOLDER CAPABLE TO 260°C PER TE TEST SPEC. 109-201, CONDITION B.



PCI-E MINI CARD CONNECTOR SIGNAL ASSIGNMENTS

PIN#	NAME	PIN#	NAME
51	Reserved	52	+3.3Vaux
49	Reserved	50	GND
47	Reserved	48	+15V
45	Reserved	46	LED_WPANN#
43	GND	44	LED_WLANN#
41	+3.3Vaux	42	LED_WWANN#
39	+3.3Vaux	40	GND
37	GND	38	USB_D+
35	GND	36	USB_D-
33	PETp0	34	GND
31	PETn0	32	SNB_DATA
29	GND	30	SNB_CLK
27	GND	28	+15V
25	PERp0	26	GND
23	PERn0	24	+3.3Vaux
21	GND	22	PERST#
19	Reserved*	20	W_DISABLE#
17	Reserved*	18	GND

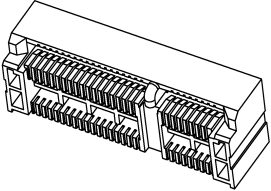
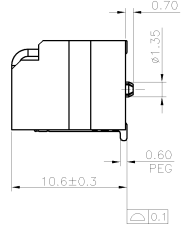
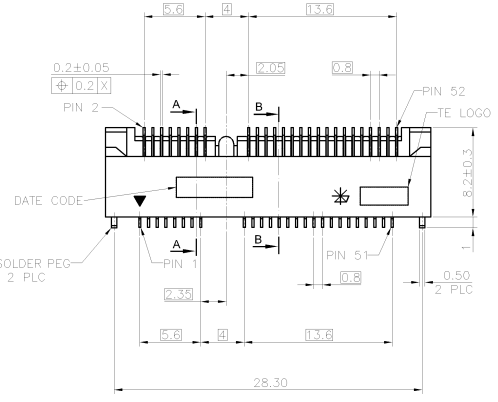
mSATA CONNECTOR SIGNAL ASSIGNMENTS

PIN#	NAME	PIN#	NAME
51	Presence Detection	52	+3.3V
49	DA/DSS	50	GND
47	Vendor	48	+15V
45	Vendor	46	Reserved
43	No Connect	44	Reserved
41	+3.3V	42	Reserved
39	+3.3V	40	GND
37	GND	38	Reserved
35	GND	36	Reserved
33	+A	34	GND
31	-A	32	Two Wire Interface
29	GND	30	Two Wire Interface
27	GND	28	+15V
25	-B	26	GND
23	+B	24	+3.3V
21	GND	22	Reserved
19	Reserved	20	Reserved
17	Reserved	18	GND

MECHANICAL KEY

15	GND	16	UIM_VPP
13	REFCLK+	14	UIM_RESET
11	REFCLK-	12	UIM_CLK
9	GND	10	UIM_DATA
7	CLKREQ#	8	UIM_PWR
5	COEX2	6	+15V
3	COEX1	4	GND
1	WAKEB	2	+3.3Vaux

* Reserved for future UIM interface (if needed)



2041032-1 PART NUMBER

TE Connectivity

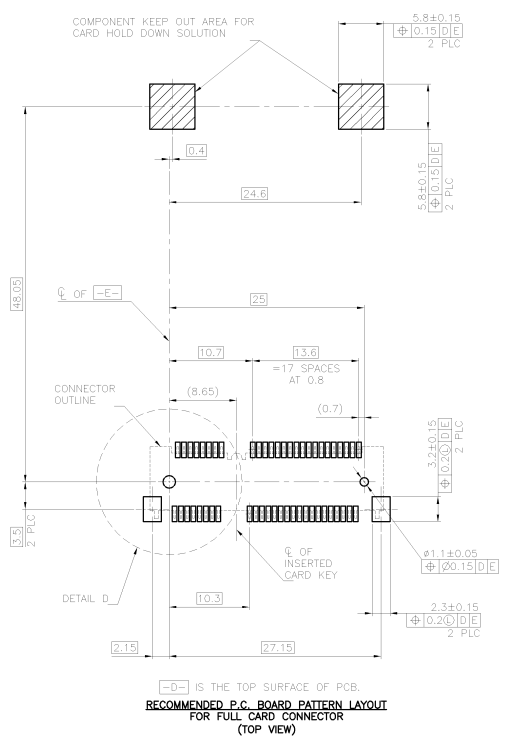
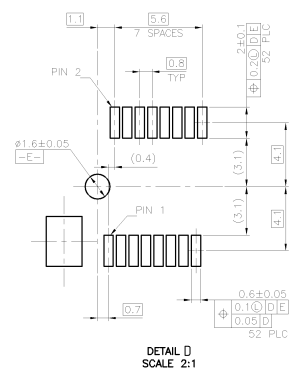
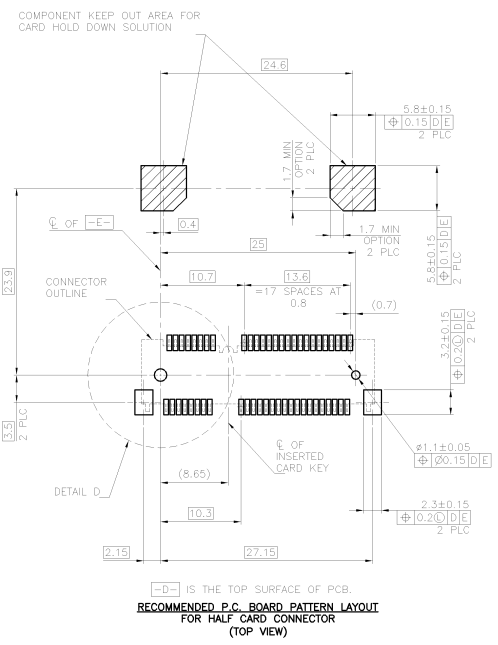
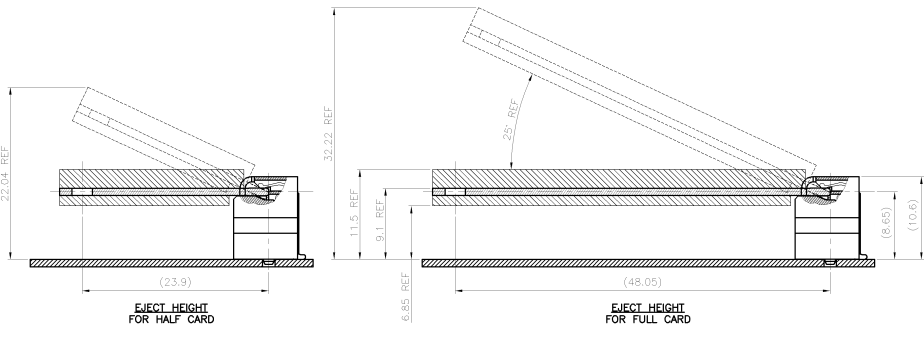
2 IN 1 mSATA & PCI EXPRESS MINI CARD CONNECTOR, 10.6 MM HEIGHT

SIZE: CASE CODE: DRAWING NO: RESTRICTED TO: A2 00779 C-2041032

WEIGHT: 3.3 GRAMS

CUSTOMER DRAWING

SCALE: SHEET 1 of 5



THIS DRAWING IS A CONTROLLED DOCUMENT.																																											
<table border="1" style="width: 100%; border-collapse: collapse;"> <tr> <td>DIMENSIONS:</td> <td>MM</td> <td>TOLERANCES UNLESS OTHERWISE SPECIFIED:</td> <td></td> </tr> <tr> <td>0 PLC</td> <td>±0.15</td> <td>1.0</td> <td>±0.15</td> </tr> <tr> <td>1 PLC</td> <td>±0.15</td> <td>1.0</td> <td>±0.15</td> </tr> <tr> <td>2 PLC</td> <td>±0.15</td> <td>1.0</td> <td>±0.15</td> </tr> <tr> <td>3 PLC</td> <td>±0.15</td> <td>1.0</td> <td>±0.15</td> </tr> <tr> <td>4 PLC</td> <td>±0.15</td> <td>1.0</td> <td>±0.15</td> </tr> <tr> <td>5 PLC</td> <td>±0.15</td> <td>1.0</td> <td>±0.15</td> </tr> </table>		DIMENSIONS:	MM	TOLERANCES UNLESS OTHERWISE SPECIFIED:		0 PLC	±0.15	1.0	±0.15	1 PLC	±0.15	1.0	±0.15	2 PLC	±0.15	1.0	±0.15	3 PLC	±0.15	1.0	±0.15	4 PLC	±0.15	1.0	±0.15	5 PLC	±0.15	1.0	±0.15	<table border="1" style="width: 100%; border-collapse: collapse;"> <tr> <td>DATE</td> <td>00779</td> <td>SCALE</td> <td>2 of 5</td> </tr> <tr> <td>CASE CODE</td> <td>C-2041032</td> <td>SHEET</td> <td>2 of 5</td> </tr> <tr> <td>DRAWING NO.</td> <td>C-2041032</td> <td>REV</td> <td>B</td> </tr> </table>		DATE	00779	SCALE	2 of 5	CASE CODE	C-2041032	SHEET	2 of 5	DRAWING NO.	C-2041032	REV	B
DIMENSIONS:	MM	TOLERANCES UNLESS OTHERWISE SPECIFIED:																																									
0 PLC	±0.15	1.0	±0.15																																								
1 PLC	±0.15	1.0	±0.15																																								
2 PLC	±0.15	1.0	±0.15																																								
3 PLC	±0.15	1.0	±0.15																																								
4 PLC	±0.15	1.0	±0.15																																								
5 PLC	±0.15	1.0	±0.15																																								
DATE	00779	SCALE	2 of 5																																								
CASE CODE	C-2041032	SHEET	2 of 5																																								
DRAWING NO.	C-2041032	REV	B																																								
MATERIAL: FINISH:		CUSTOMER DRAWING																																									

4

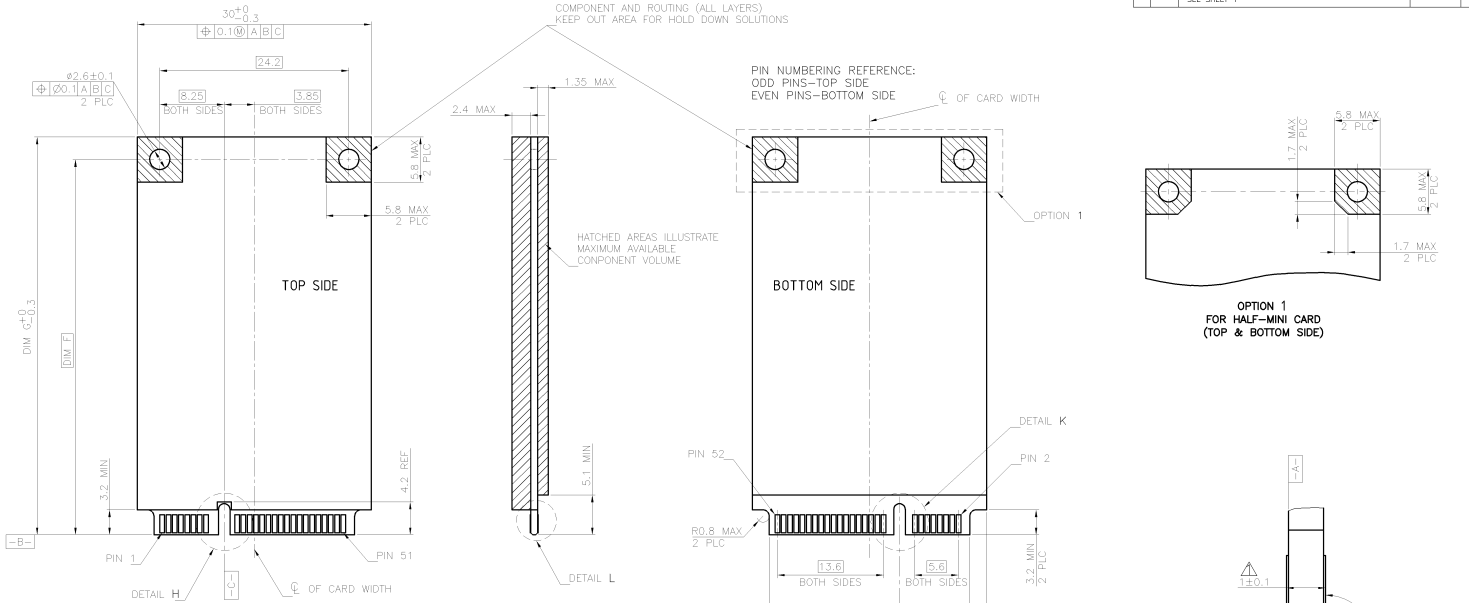
3

2

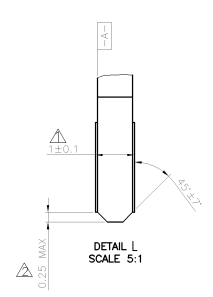
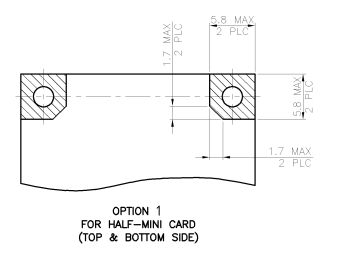
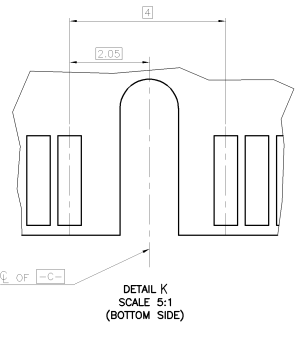
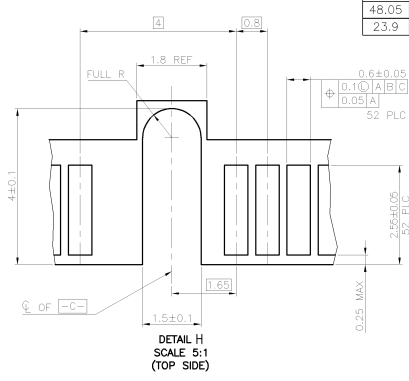
1

THIS DRAWING IS UNPUBLISHED. RELIEVED FOR PUBLICATION. ALL RIGHTS RESERVED. COPYRIGHT 2011 BY TE CONNECTIVITY.

LOC	REV	DESCRIPTION	DATE	BY	APP'D
DW	1	SEE SHEET 1			



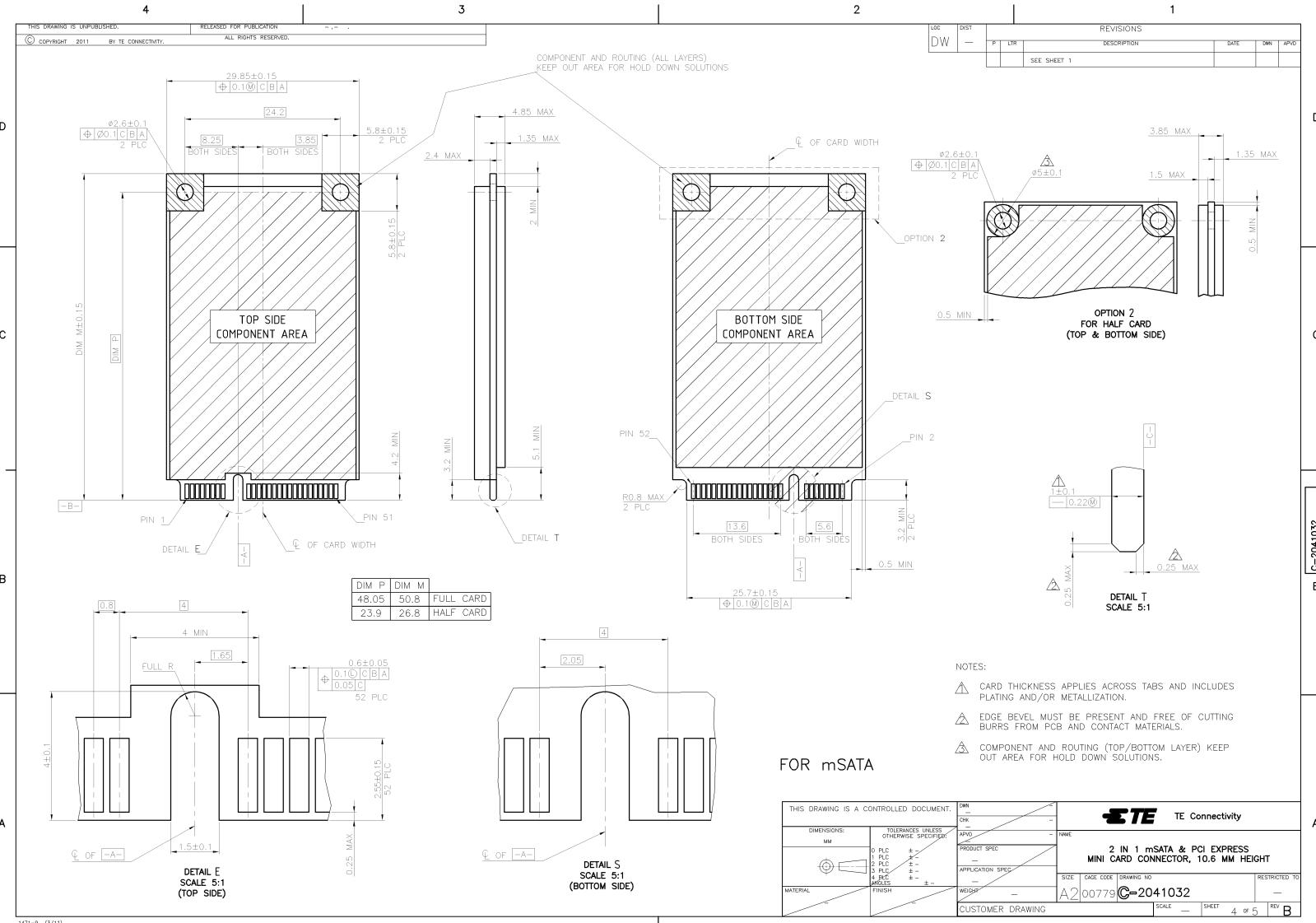
DIM F	DIM G	
48.05	50.95	FULL-MINI CARD
23.9	26.8	HALF-MINI CARD



- NOTES:
- △ CARD THICKNESS APPLIES ACROSS TABS AND INCLUDES PLATING AND/OR METALLIZATION.
 - △ EDGE BEVEL MUST BE PRESENT AND FREE OF CUTTING BURRS FROM PCB AND CONTACT MATERIALS.

FOR PCI EXPRESS MINI CARD

THIS DRAWING IS A CONTROLLED DOCUMENT.		DW		TE Connectivity	
DIMENSIONS: MM		TOLERANCES UNLESS OTHERWISE SPECIFIED:		DRAWING NO. A200779	
0 PLC	±0.15	1 PLC	±0.20	2 PLC	±0.25
3 PLC	±0.30	4 PLC	±0.40	5 PLC	±0.50
MATERIAL:		FINISH:		CUSTOMER DRAWING	
APPLICATION SPEC:				SCALE: 1:1	
PRODUCT SPEC:				SHEET 3 of 5	
APPLICATION SPEC:				REVISIONS:	
PRODUCT SPEC:				DATE:	
APPLICATION SPEC:				BY:	
PRODUCT SPEC:				APP'D:	



DIM	P	DIM	M	
48.05	50.8	FULL CARD		
23.9	26.8	HALF CARD		

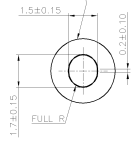
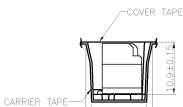
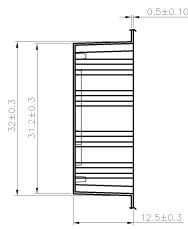
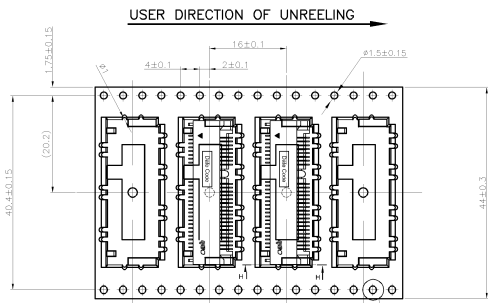
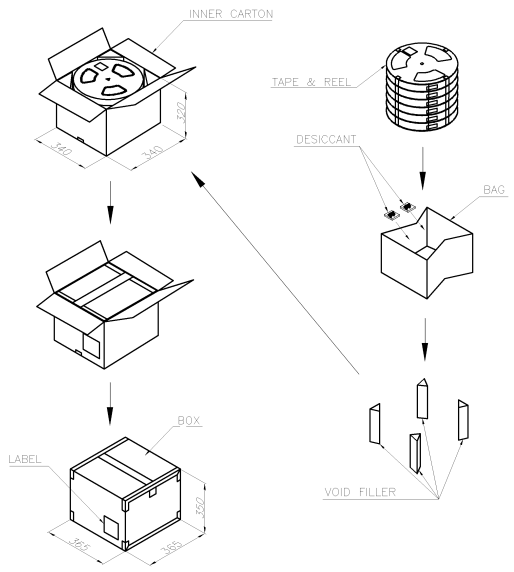
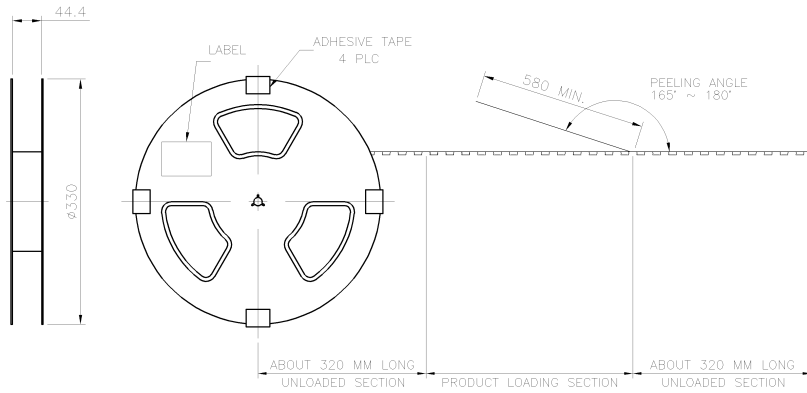
- NOTES:
- ▲ CARD THICKNESS APPLIES ACROSS TABS AND INCLUDES PLATING AND/OR METALLIZATION.
 - ▲ EDGE BEVEL MUST BE PRESENT AND FREE OF CUTTING BURRS FROM PCB AND CONTACT MATERIALS.
 - ▲ COMPONENT AND ROUTING (TOP/BOTTOM LAYER) KEEP OUT AREA FOR HOLD DOWN SOLUTIONS.

FOR mSATA

THIS DRAWING IS A CONTROLLED DOCUMENT.		DW		TE Connectivity	
DIMENSIONS: MM		TOLERANCES UNLESS OTHERWISE SPECIFIED:		PRODUCT SPEC	
0 PLG ± 0.15		± 0.15		APPLY TO ALL DIMENSIONS	
1 PLG ± 0.20		± 0.20		APPLY TO ALL DIMENSIONS	
2 PLG ± 0.25		± 0.25		APPLY TO ALL DIMENSIONS	
3 PLG ± 0.30		± 0.30		APPLY TO ALL DIMENSIONS	
4 PLG ± 0.35		± 0.35		APPLY TO ALL DIMENSIONS	
MATERIAL		FINISH		CUSTOMER DRAWING	
DRAWN: [Signature]				DATE: [Date]	
CHECKED: [Signature]				REV: [Revision]	
APPROVED: [Signature]				SCALE: [Scale]	
CUSTOMER DRAWING				SHEET 4 of 5	

THIS DRAWING IS UNPUBLISHED.
 © Copyright 2011 BY TE CONNECTIVITY.
 RELEASED FOR PUBLICATION
 ALL RIGHTS RESERVED.

LOC	QST	REVISIONS			
P	LTR	DESCRIPTION	DATE	OWN	APP'D
		SEE SHEET 1			



SECTION H-H

SCALE 8:1

9.55 Kg	4.85 Kg	280	6	1680 PCS
GROSS WEIGHT	NET WEIGHT	PCS/TAPE	REELS/BOX	QUANTITY

THIS DRAWING IS A CONTROLLED DOCUMENT.		OWN	TE Connectivity
DIMENSIONS: MM		CHK	
TOLERANCES UNLESS OTHERWISE SPECIFIED:		APPV	
0 P.L.C.	±0.1	PRODUCT SPEC	
1 P.L.C.	±0.2	APPLICATION SPEC	
2 P.L.C.	±0.3	HEIGHT	
3 P.L.C.	±0.4	CUSTOMER DRAWING	
4 P.L.C.	±0.5		
5 P.L.C.	±0.6		
6 P.L.C.	±0.7		
7 P.L.C.	±0.8		
8 P.L.C.	±0.9		
9 P.L.C.	±1.0		
MATERIAL	FINISH	SIZE	RESTRICTED TO
		A2	
		00779	
		C=2041032	
		SCALE	SHEET 5 of 5
			REV B