

4

3

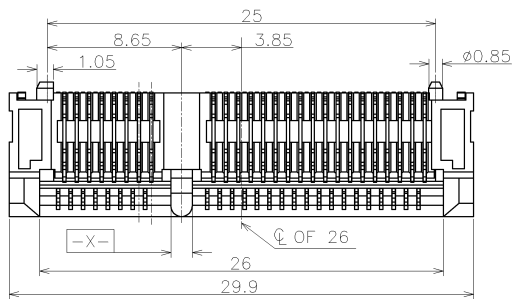
2

1

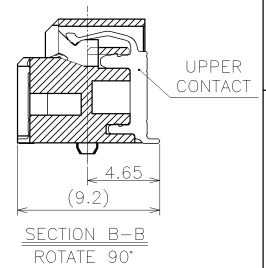
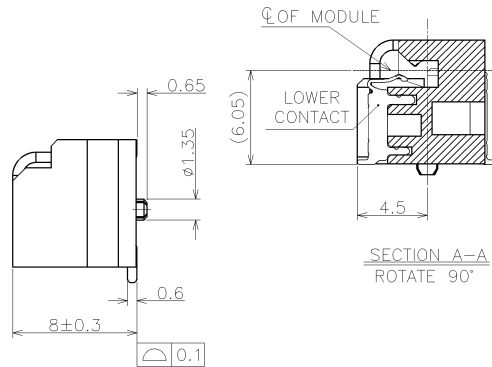
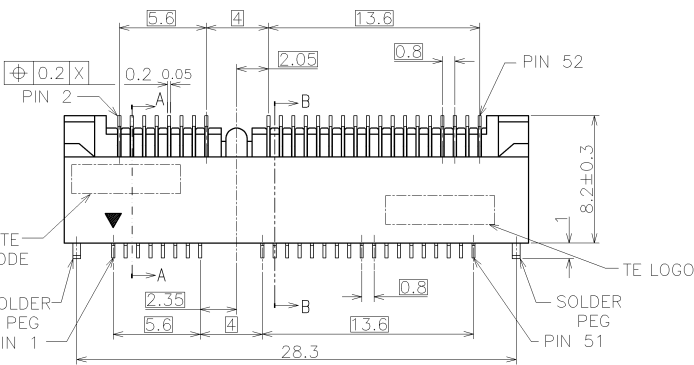
THIS DRAWING IS UNPUBLISHED. RELEASED FOR PUBLICATION ... 2006.
 © COPYRIGHT 2006 BY TYCO ELECTRONICS CORPORATION. ALL RIGHTS RESERVED.

LOC	DIST	REVISIONS			
P	LTR	DESCRIPTION	DATE	DWN	APVD
B		ECR-09-023998	03NOV09	AW	H.K

1759503-1 ~ 2: AS SHOWN



- MATERIAL:
HOUSING: LCP, UL 94V-0, BLACK COLOR.
CONTACT: COPPER ALLOY
SOLDER PEG: COPPER ALLOY
- FINISH:
CONTACT: CONTACT AREA---Au FLASH, ALL OVER Ni PLATING
SOLDERING AREA---Au PLATE, ALL OVER Ni PLATING
SOLDER PEG: Sn PLATING, ALL OVER Ni UNDER PLATING
- REFLOW SOLDER CAPABLE TO 260°C PER TEC-109-201, CONDITION B.



TYPE II	1759503-2
TYPE I	1759503-1
PACKING TYPE	PART NUMBER

TOLERANCES UNLESS OTHERWISE SPECIFIED:
 10 ≥ : ±0.2
 30 ≥ > 10: ±0.25
 100 ≥ > 10: ±0.3
 ANGLES : ±3°

THIS DRAWING IS A CONTROLLED DOCUMENT.		DWN S.WATANABE 24JUL06	Tyco Electronics Tyco Holdings (Bermuda) VII Ltd. Taiwan Branch	
DIMENSIONS: MM		CHK K.KOBAYASHI 24JUL06	NAME	
TOLERANCES UNLESS OTHERWISE SPECIFIED:		APVD H.KODAMA 24JUL06	0.8MM PITCH MINI PCI EXPRESS CONNECTOR ASSEMBLY (8MM HEIGHT)	
0 PLC ± -		PRODUCT SPEC	SIZE CAGE CODE DRAWING NO	
1 PLC ± -		APPLICATION SPEC	A3 00779 C-1759503	
2 PLC ± -		WEIGHT 2.55gr	RESTRICTED TO	
3 PLC ± -		CUSTOMER DRAWING	SCALE 4:1 SHEET 1 OF 4 REV B	
4 PLC ± -				
ANGLES ± 3°				
MATERIAL SEE NOTE	FINISH SEE NOTE			

4

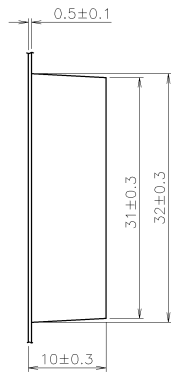
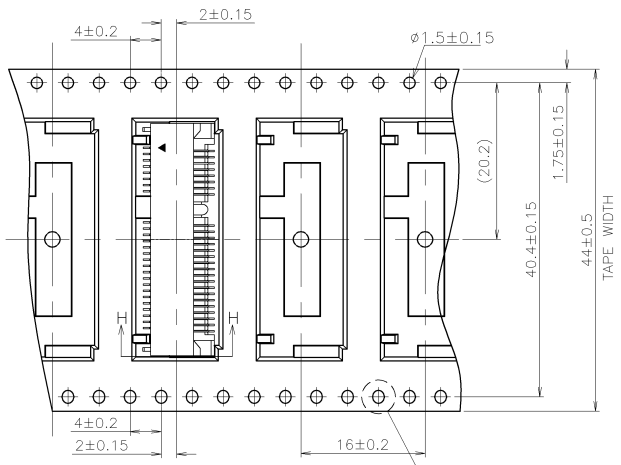
3

2

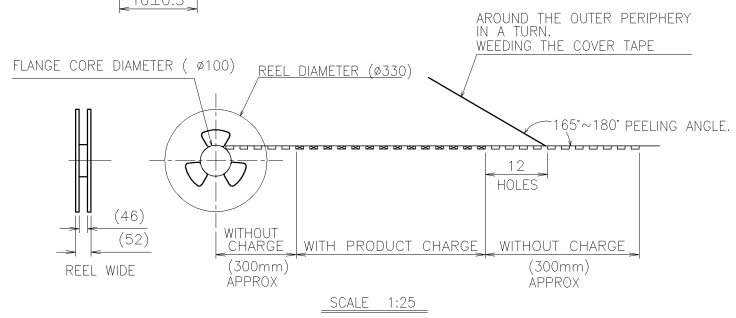
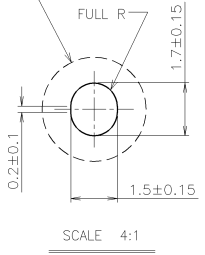
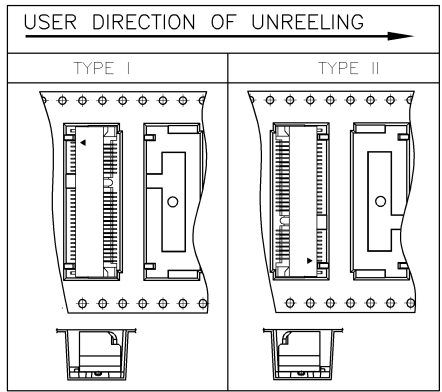
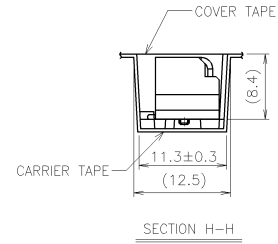
1

THIS DRAWING IS UNPUBLISHED. RELEASED FOR PUBLICATION OCT. 2003.
 © COPYRIGHT 2003 BY TYCO ELECTRONICS CORPORATION. ALL RIGHTS RESERVED.

LOC	DIST	REVISIONS				
P	LTR	DESCRIPTION	DATE	DWN	APVD	
DW		SEE SHEET 1				



4. MATERIAL
 CARRIER TAPE: PS, COLOR: CLEAR
 COVER TAPE: PET, COLOR: CLEAR



400	5	2000
PCS/TAPE	REELS/BOX	PCS/BOX

THIS DRAWING IS A CONTROLLED DOCUMENT.

DIMENSIONS: MM	TOLERANCES UNLESS OTHERWISE SPECIFIED	DWN	CHK	APVD	PRODUCT SPEC	APPLICATION SPEC	WEIGHT	CUSTOMER DRAWING
0 PLC ± -	1 PLC ± -	2 PLC ± -	3 PLC ± -	4 PLC ± -	FINISH	SIZE A3	CAGE CODE 00779	DRAWING NO. C-1759503

Tyco Electronics Tyco Holdings (Bermuda) VII Ltd. Taiwan Branch

NAME: 0.8MM PITCH MINI PCI EXPRESS CONNECTOR ASSEMBLY (8MM HEIGHT)

RESTRICTED TO

SCALE 2:1 SHEET 2 OF 4 REV B

AMP 1470-19 REV 31MAR2000

4

3

2

1

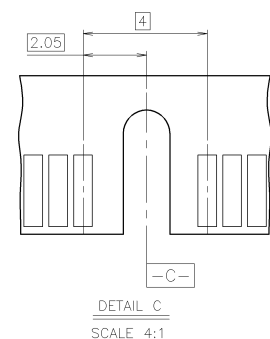
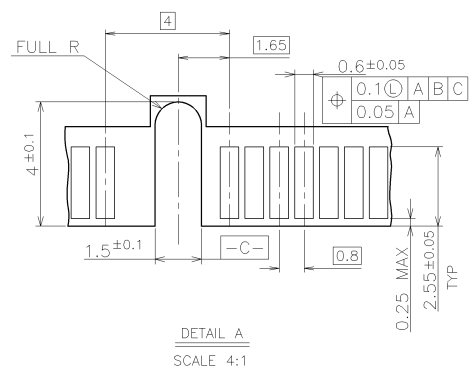
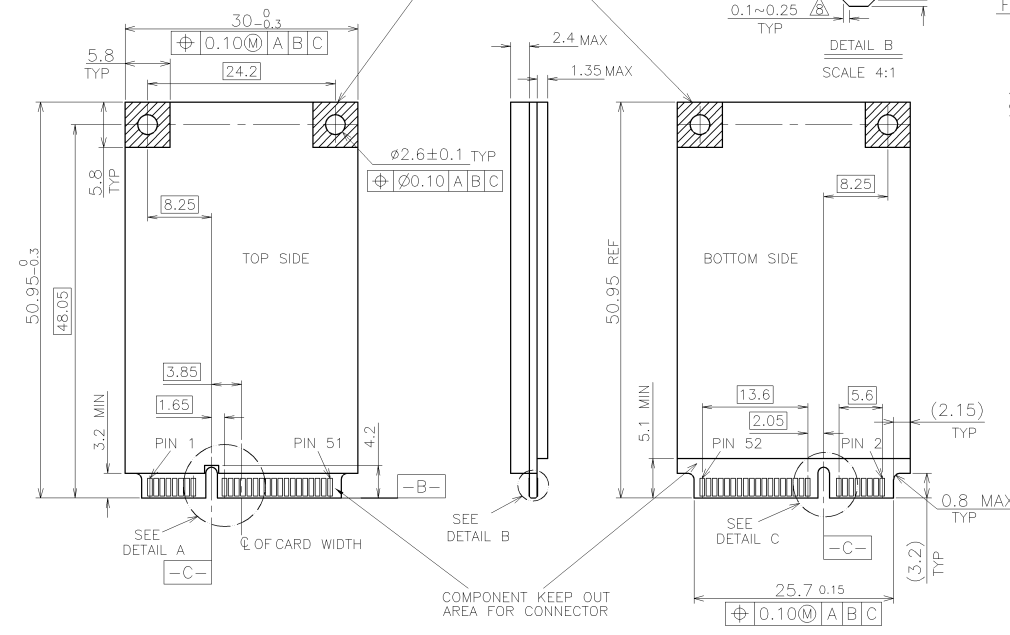
THIS DRAWING IS UNPUBLISHED. RELEASED FOR PUBLICATION OCT. 2003.
 © COPYRIGHT 2003 BY TYCO ELECTRONICS CORPORATION. ALL RIGHTS RESERVED.

LOC	DIST	REVISIONS			
P	LTR	DESCRIPTION	DATE	DWN	APVD
		SEE SHEET 1			

6. PCI EXPRESS MINI CARD, PCB THICKNESS 1MM.

- △. CARD THICKNESS APPLIES ACROSS TABS AND INCLUDES PLATING AND/OR METALIZATION.
- △. BEVEL MUST BE FREE OF CUTTING BURRS.

COMPONENT AND ROUTING (ALL LAYERS) KEEP OUT AREA FOR HOLD DOWN SOLUTIONS



THIS DRAWING IS A CONTROLLED DOCUMENT.		DWN	Tyco Electronics Tyco Holdings (Bermuda) VII Ltd. Taiwan Branch	
DIMENSIONS:	TOLERANCES UNLESS OTHERWISE SPECIFIED	CHK	NAME	
MM	0 PLC ± -	APVD	0.8MM PITCH	
	1 PLC ± -	PRODUCT SPEC	MINI PCI EXPRESS CONNECTOR ASSEMBLY	
	2 PLC ± -	APPLICATION SPEC	(8MM HEIGHT)	
	3 PLC ± -	WEIGHT	SIZE	CAGE CODE DRAWING NO
	4 PLC ± -	CUSTOMER DRAWING	A3	00779 C-1759503
MATERIAL	FINISH	RESTRICTED TO	SCALE	SHEET
			2:1	4 OF 4
				REV
				B

AMP 1470-19 REV 31MAR2000