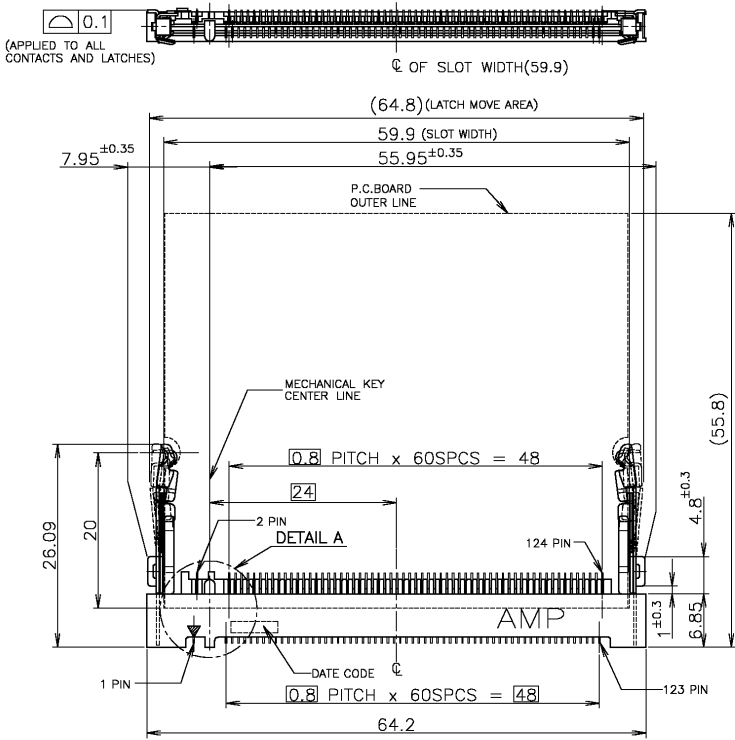


THIS DRAWING IS UNPUBLISHED. RELEASED FOR PUBLICATION  
 © COPYRIGHT - BY TYCO ELECTRONICS CORPORATION. ALL RIGHTS RESERVED.

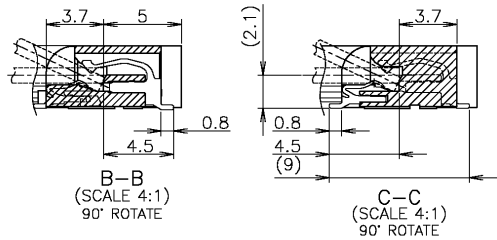
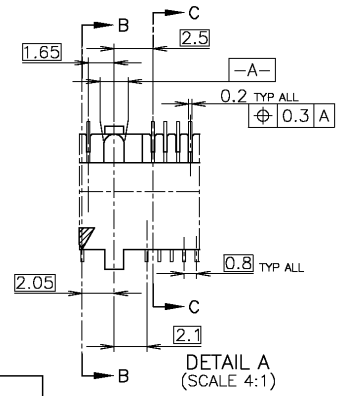
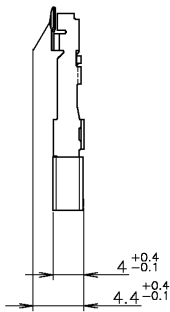
LOC	DIST	REVISIONS					
J		P	LTR	DESCRIPTION	DATE	DWN	APVD
		A		REVISED	FJB0-0450-03	26MAR04	K.K.Y.Y



- MATERIAL; HOUSING: HIGH TEMPERATURE THERMO PLASTIC UL94V-0  
 COLOR: BLACK  
 CONTACT: PHOS-BRZ  
 LOCK LEVER: SUS TIN PLATING.
  - FINISH; CONTACT AREA: GOLD FLASH ON 0.0013MIN ALL OVER NICKEL.  
 SOLDERING AREA: GOLD FLASH.
- △ TOLERANCES NON CUMMURATIVE.

- 材料; ハウジング : 耐熱性熱可塑性樹脂 UL94V-0. 色: 黒色  
 コンタクト : 燐青銅  
 ロックレバー : ステンレス すずめっき
  - めっき仕様; コンタクト : 接触部 金フラッシュ  
 ニッケル下地 0.0013MIN厚  
 半田付け部 : 金フラッシュ
- △ 非累積公差

鉛フリー  
 LEAD FREE



GENERAL TOLERANCE  
 一般公差  
 10 ≥ : ±0.2  
 30 ≥ > 10 : ±0.25  
 100 ≥ > 30 : ±0.3  
 ANGLES : ±3°

THIS DRAWING IS A CONTROLLED DOCUMENT.

DIMENSIONS: 単位: 英 MM	TOLERANCES UNLESS OTHERWISE SPECIFIED: 一般公差
0 PLC	±
1 PLC	±
2 PLC	±
3 PLC	±
4 PLC	±
4 BCC ANGLES	±

MATERIAL 材料 SEE NOTE  
 FINISH 仕上 SEE NOTE

INSTRUCTION SHEET 取扱説明書 411-5882	DWN T. KAWAMAE 09DEC02		Tyco Electronics AMP K.K. Kawasaki, Japan
CHK H. SHIRAI 09DEC02	APVD T. YAMAMOTO 09DEC02		NAME 名称 0.8mm PITCH FAX MODEM SOCKET 124 POSITIONS WITHOUT BOSS
PRODUCT SPEC 製品規格 108-5627	APPLICATION SPEC 取付適用規格	SIZE 寸法 A3	CAGE CODE 番号 00779
WEIGHT 重量 3.3g	DRAWING NO. 図号 1674507	SCALE 尺度 2:1	RESTRICTED 制限 A
CUSTOMER DRAWING	SHEET 枚数 1 of 4	REV 改訂 A	

4

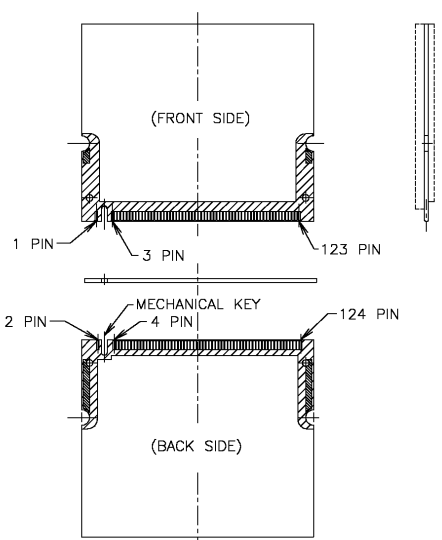
3

2

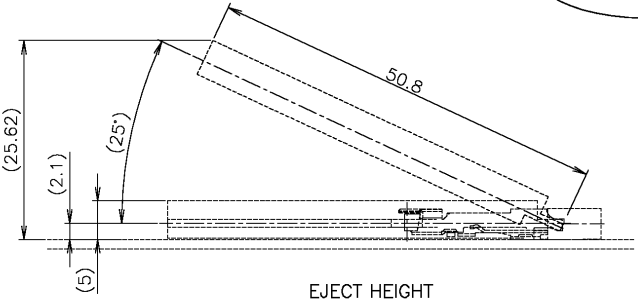
1

THIS DRAWING IS UNPUBLISHED. RELEASED FOR PUBLICATION  
 COPYRIGHT BY TYCO ELECTRONICS CORPORATION. ALL RIGHTS RESERVED.

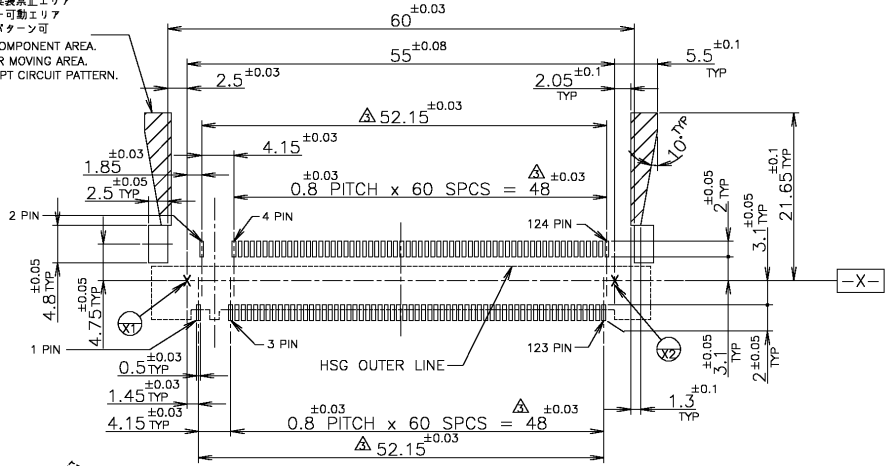
LOC	DIST	REVISIONS			
P	LTR	DESCRIPTION	DATE	DWN	APVD
SEE SHEET 1					



CIRCUIT POSITION  
(SCALE 1:1)

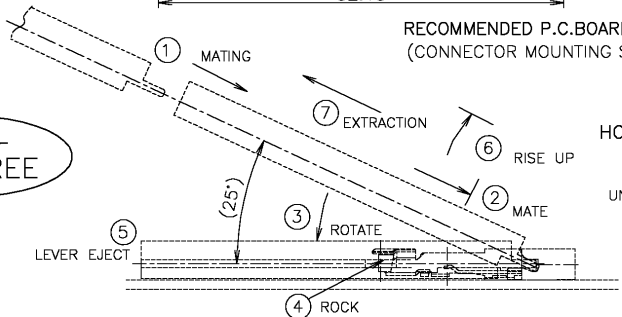


部品実装禁止エリア  
 レバー可動エリア  
 回路パターン可  
 NO COMPONENT AREA.  
 LEVER MOVING AREA.  
 ACCEPT CIRCUIT PATTERN.



RECOMMENDED P.C.BOARD PATTERN LAYOUT  
(CONNECTOR MOUNTING SIDE)

鉛フリー  
LEAD FREE



THIS DRAWING IS A CONTROLLED DOCUMENT.		DWN	Tyco Electronics AMP K.K. Kawasaki, Japan	
DIMENSIONS: 単位: 概 MM	TOLERANCES UNLESS OTHERWISE SPECIFIED: 数公差	CHK	NAME 名称 0.8mm PITCH FAX MODEM SOCKET 124 POSITIONS WITHOUT BOSS	
0 PLC ±	1 PLC ±	APVD	SIZE	CAGE CODE
2 PLC ±	3 PLC ±	PRODUCT SPEC 製品規格	A3	00779
4 PLC ±	4 BCC ±	APPLICATION SPEC 取付適用規格	DRAWING NO 番号 1674507	
MATERIAL 材質	FINISH 仕上	WEIGHT	RESTRICTED	
CUSTOMER DRAWING		SCALE 尺度	2:1	SHEET 2 of 4

AMP 1470-19 REV 31MAR2000

4

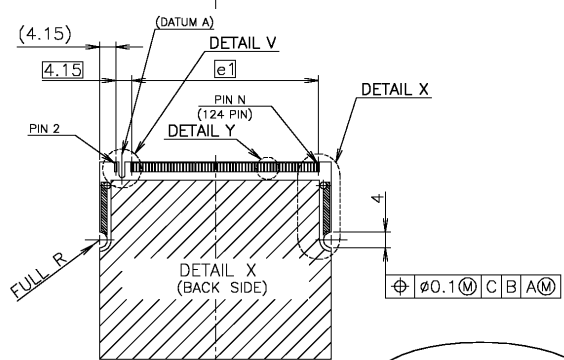
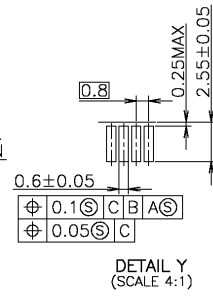
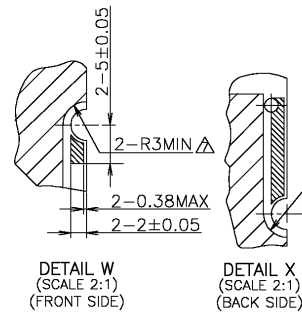
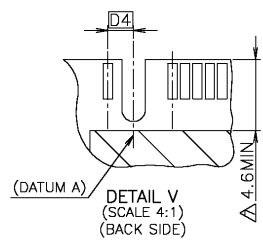
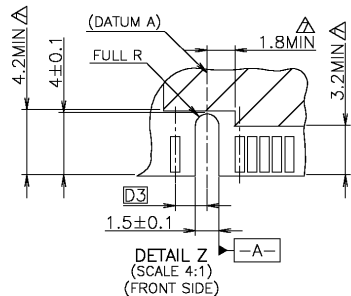
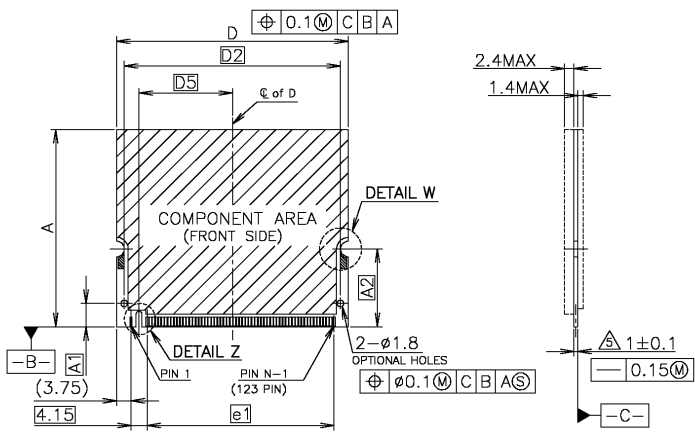
3

2

1

THIS DRAWING IS UNPUBLISHED. RELEASED FOR PUBLICATION  
 © COPYRIGHT BY TYCO ELECTRONICS CORPORATION. ALL RIGHTS RESERVED.

LOC	DIST	REVISIONS			
P	LTR	DESCRIPTION	DATE	DWN	APVD
		SEE SHEET 1			

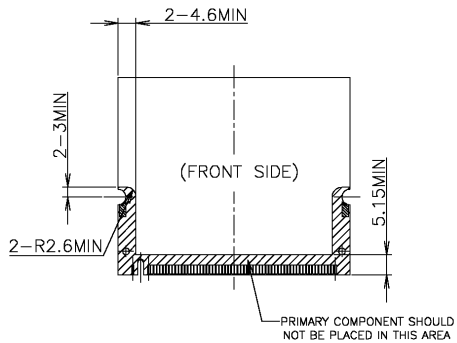


鉛フリー  
LEAD FREE

THIS DRAWING IS A CONTROLLED DOCUMENT.		DWN	Tyco Electronics AMP K.K. Kawasaki, Japan	
DIMENSIONS: 単位: 概 MM	TOLERANCES UNLESS OTHERWISE SPECIFIED: 数公差	CHK	NAME 名称	
0 PLC $\pm$	1 PLC $\pm$	APVD	0.8mm PITCH FAX MODEM SOCKET 124 POSITIONS WITHOUT BOSS	
2 PLC $\pm$	3 PLC $\pm$	PRODUCT SPEC 製品規格	SIZE CAGE CODE DRAWING NO 番号	
4 BCC $\pm$	ANGLES $\pm$	APPLICATION SPEC 取付適用規格	A3 00779 C-1674507	
MATERIAL 材質	FINISH 仕上	WEIGHT	CUSTOMER DRAWING	RESTRICTED
			SCALE 尺度 1:1	SHEET 3 OF 4 REV A

THIS DRAWING IS UNPUBLISHED. RELEASED FOR PUBLICATION  
 © COPYRIGHT - BY TYCO ELECTRONICS CORPORATION. ALL RIGHTS RESERVED.

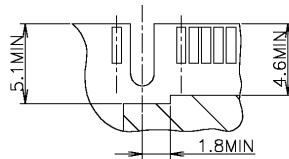
LOC	DIST	REVISIONS					
J		P	LTR	DESCRIPTION	DATE	DWN	APVD
				SEE SHEET 1			



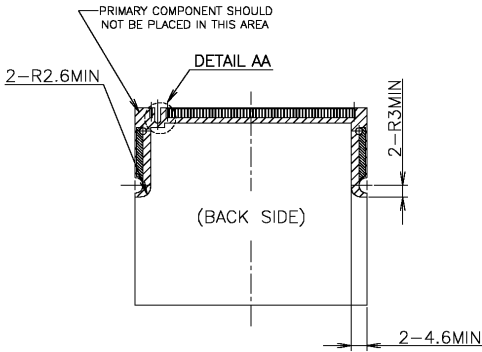
- 4 TOLERANCES ON ALL DIMENSIONS  $\pm 0.15$  UNLESS OTHERWISE SPECIFIED.
- △ CARD THICKNESS APPLIES ACROSS TABS AND INCLUDES PLATING AND/OR METALIZATION.
- 6 APPLICATION NOTE;  
GOLD CONTACT PAD: ELECTROLESS GOLD PLATING  $0.05\mu\text{m}$  MIN.
- △ BORDER OF COMPONENT AREA.

鉛フリー  
LEAD FREE

- 4 一般公差  $\pm 0.15$
- △ 基板厚寸法はめっき厚を含む
- 6 めっき仕様  
パッド部: ニッケル下地  $2\mu\text{m}$  MINの上に、金フラッシュ  $0.05\mu\text{m}$  MIN
- △ コンポーネントエリア境界線



DETAIL AA  
(SCALE 4:1)  
(BACK SIDE)



SYMBOL	VARIATIONS ALL DIMENSIONS IN mm					
	NORMAL HEIGHT 44.45			NORMAL HEIGHT 50.80		
	AA			BA		
	MIN	NOM	MAX	MIN	NOM	MAX
A	44.30	44.45	44.60	50.65	50.80	50.95
A1	6.00 BSC			6.00 BSC		
A2	20.00 BSC			20.00 BSC		
D	59.45	59.60	59.75	59.45	59.60	59.75
D2	55.60 BSC			55.60 BSC		
D3	2.05 BSC			2.05 BSC		
D4	1.65 BSC			1.65 BSC		
D5	24.00 BSC			24.00 BSC		
e1	48.00 BSC			48.00 BSC		
N	124			124		

THIS DRAWING IS A CONTROLLED DOCUMENT.		DWN	Tyco Electronics AMP K.K. Kawasaki, Japan	
DIMENSIONS: 単位: 概 mm	TOLERANCES UNLESS OTHERWISE SPECIFIED: 数公差	CHK	NAME 名称	
0 PLC ±	1 PLC ±	APVD	0.8mm PITCH FAX MODEM SOCKET	
2 PLC ±	3 PLC ±	PRODUCT SPEC	124 POSITIONS	
4 BSC ±	ANGLES ±	APPLICATION SPEC	WITHOUT BOSS	
MATERIAL 材料	FINISH 仕上	WEIGHT	SIZE	CAGE CODE
			A3	00779
			DRAWING NO	1674507
			RESTRICTED	
CUSTOMER DRAWING			SCALE 尺度	1:1
			SHEET	4 of 4
			REV	A