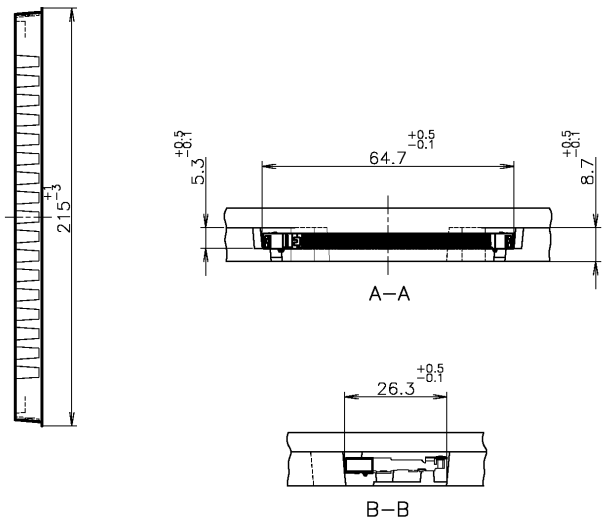
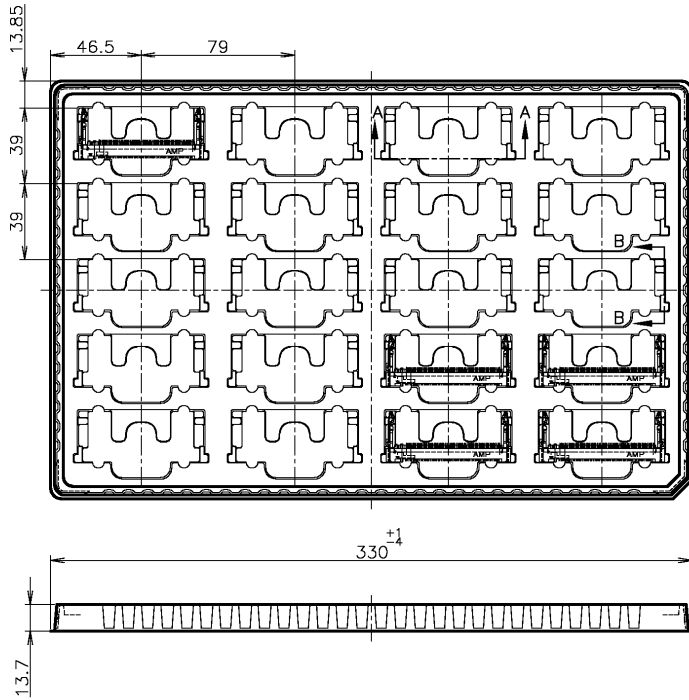


THIS DRAWING IS UNPUBLISHED. RELEASED FOR PUBLICATION
 © COPYRIGHT BY TYCO ELECTRONICS CORPORATION. ALL RIGHTS RESERVED.

LOC	DIST	REVISIONS					
J		P	LTR	DESCRIPTION	DATE	DWN	APVD
		A	REVISED	FJB0-0450-03	26MAR04	K.K	Y.Y



- コネクタ搭載方向は図示の通りであること。
 - 梱包仕様書 107-5195-1 を参照のこと。
 - 一般公差 ±0.5
- THE DIRECTION OF EACH CONNECTOR ON A TRAY IS REFERRED TO THIS DWG.
 - REFER TO PACKING SPEC 107-5195-1
 - GENERAL TOLERANCES ±0.5

鉛フリー
LEAD FREE

INSTRUCTION SHEET 411-5882		20EA/TRAY	6-912074-1	1376545-1	1565605-1
QTY		TRAY P/N	CONNECTOR P/N	P/N	
DWN T. KAWAMAE		28SEP01		Tyco Electronics AMP K.K. Kawasaki, Japan	
CHK H. SHIRAI		28SEP01		NAME Electronics	
APVD H. SHIRAI		28SEP01		SEMI-HARD TRAY ASSY 0.8mm PITCH FAXMODEM SOCKET 122 POSITIONS	
PRODUCT SPEC 108-5627		APPLICATION SPEC		SIZE A3	
MATERIAL		FINISH		CAGE CODE 00779	
WEIGHT		DRAWING NO. 1565605		RESTRICTED	
CUSTOMER DRAWING		SCALE NTS		SHEET 1 OF 1 REV A	