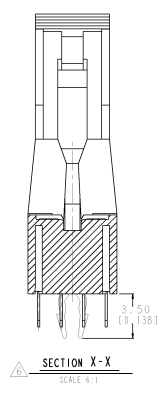
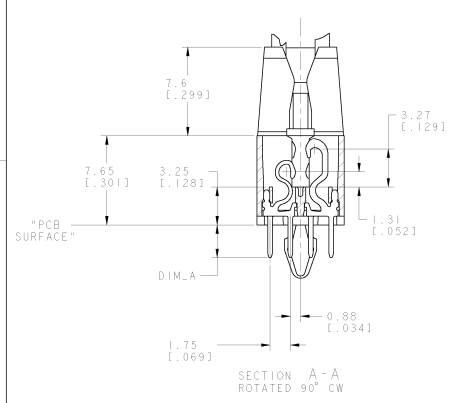
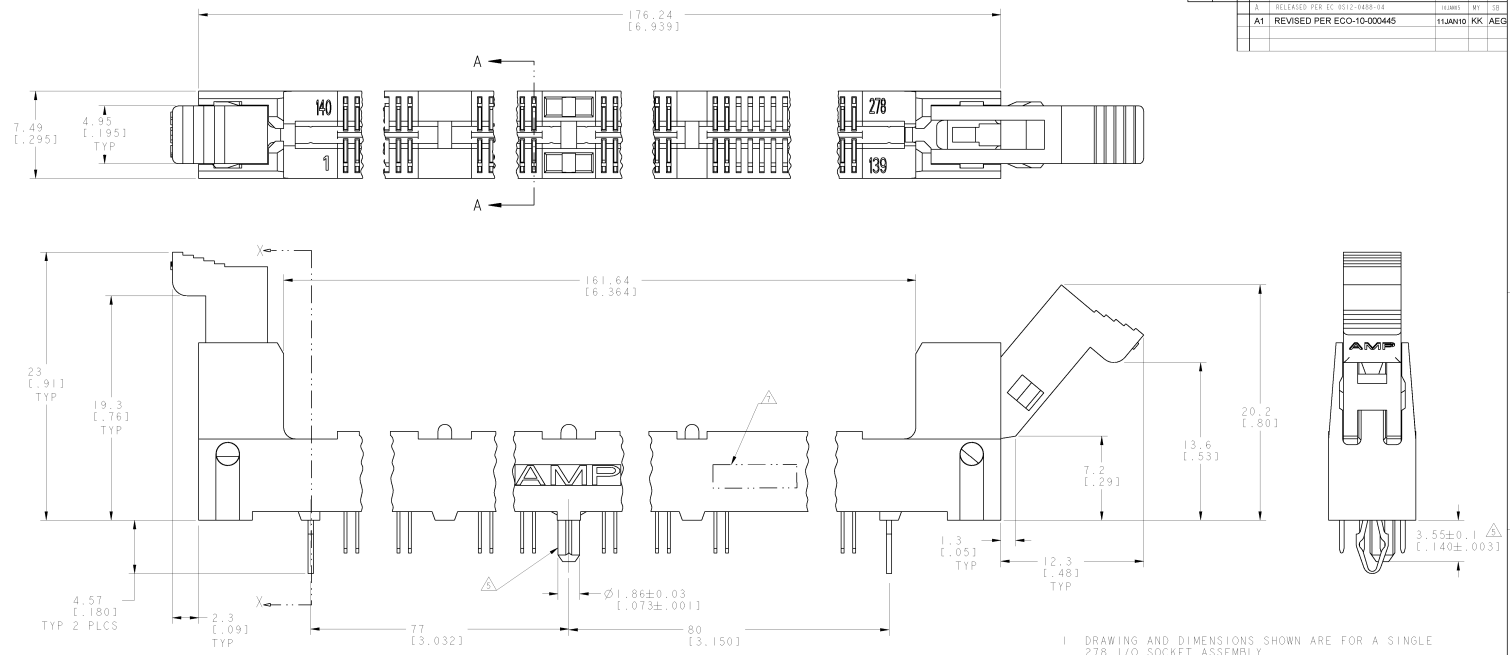


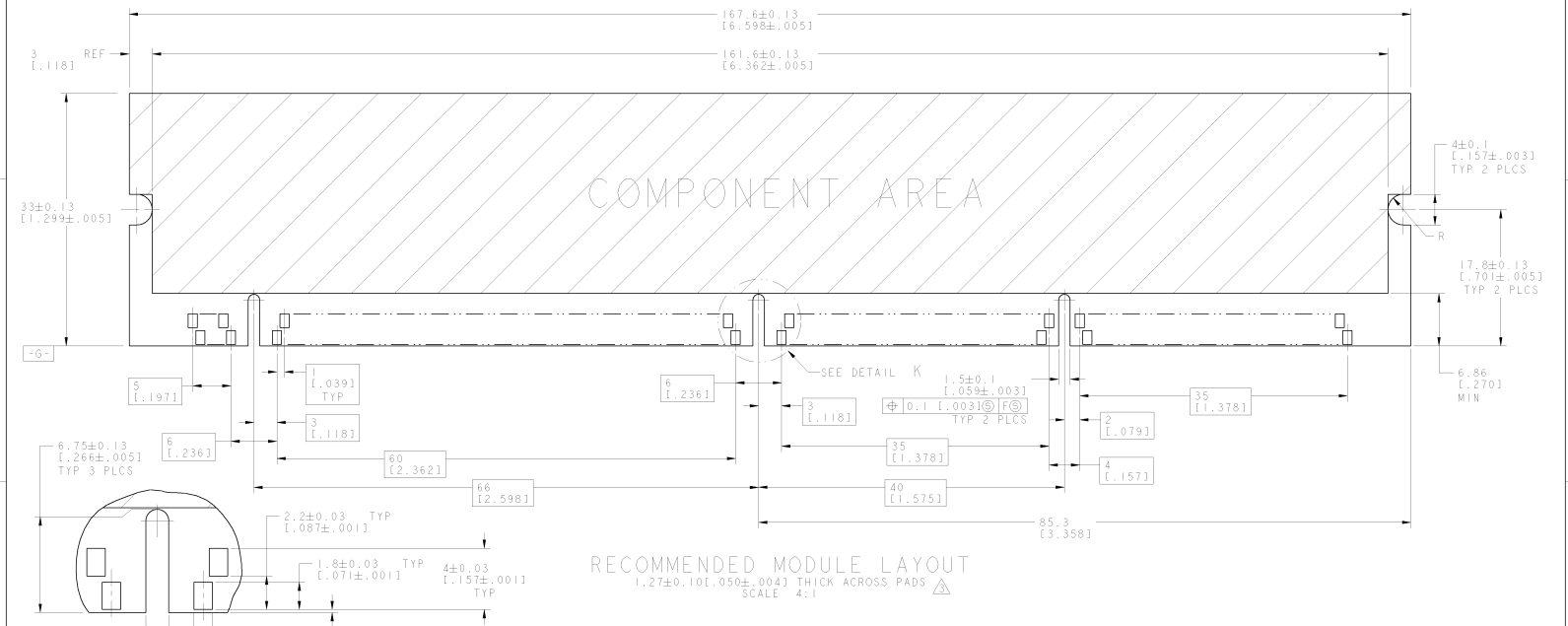
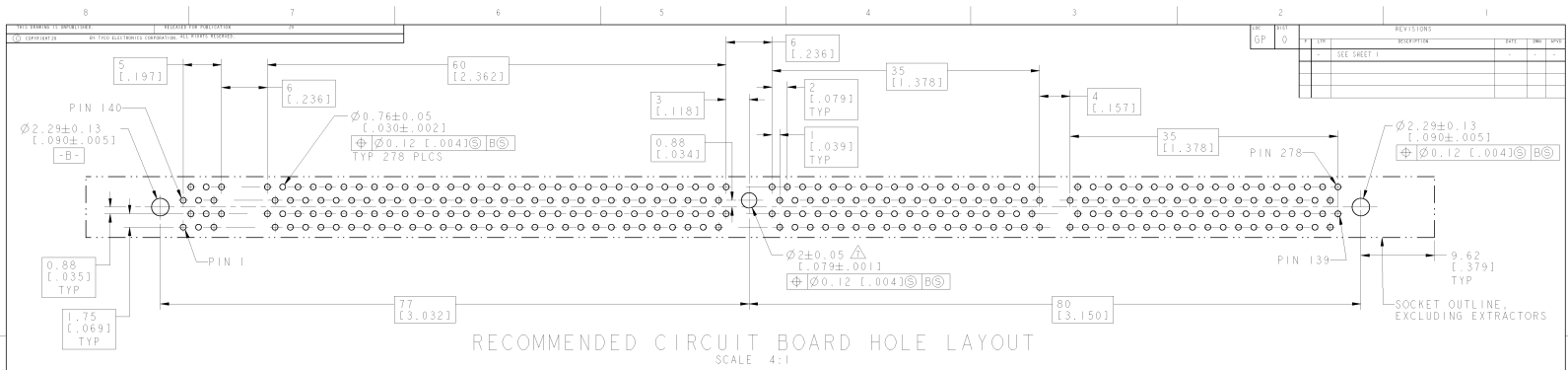
REV. NO.		DESCRIPTION		DATE	BY	CHKD	APP'D
1	0	RELEASED PER EC-0512-8485-04		11/08/01	WJ	DB	
A1		REVISED PER ECO-10-000445		11/20/10	KK	AE	



- DRAWING AND DIMENSIONS SHOWN ARE FOR A SINGLE 278 I/O SOCKET ASSEMBLY.
 - THE POST DIAMETER REFERENCE DIMENSIONS EXCLUDE THE POSTS' FLUTING FEATURES.
- ⚠ CONTACT PADS SHALL BE PLATED WITH 0.0008 [0.0003] MINIMUM THICK GOLD OVER 0.0038 [0.0015] MINIMUM THICK NICKEL.
 - ⚠ MATERIAL: HOUSING- HIGH TEMPERATURE NYLON, BLACK. EXTRACTORS- HIGH TEMPERATURE NYLON, NATURAL, BLACK. CONTACTS- PHOSPHOR BRONZE WITH 0.00076 [0.00030] MIN THICK GOLD OVER 0.0038 [0.00150] MIN THICK NICKEL IN CONTACT AREA AND 0.0038 [0.00150] MIN THICK MATTE TIN OVER 0.00127 [0.00050] MIN THICK NICKEL ON SOLDER TAIL. BOARDLOCKS, BRASS, AMP 100-86.
 - ⚠ 5390108-4 DOES NOT HAVE CENTER POST.
 - ⚠ BOARDLOCK DETAIL FOR 5390108-5 ONLY.
 - ⚠ DATE CODE LOCATED APPROX. AS SHOWN.
 - ⚠ OBSOLETE PARTS: OBSOLETE CIS STREAMLINING PER D.RENAUD/D.SINISI

OBSOLETE	NATURAL	2.79 [0.110]	278	5390108-4
	BLACK	4.19 [0.165]	278	5390108-4
	NATURAL	2.79 [0.110]	278	5390108-3
	EXTRACTOR	DIM_A	POS	PART NUMBER

MATERIAL		FINISH		TOLERANCES		TYPICAL VALUES	
NATURAL		BLACK		NICKEL		GOLD	
DIM A		DIM A		DIM A		DIM A	
DIM A		DIM A		DIM A		DIM A	
DIM A		DIM A		DIM A		DIM A	



DIMENSIONS IN MILLIMETERS (IN INCHES)		DIMENSIONS IN MILLIMETERS (IN INCHES)		TECO Thin Electronics Harrisburg, PA 17105-1808	
DIMENSIONS IN MILLIMETERS (IN INCHES)	DIMENSIONS IN MILLIMETERS (IN INCHES)	DIMENSIONS IN MILLIMETERS (IN INCHES)	DIMENSIONS IN MILLIMETERS (IN INCHES)	DIMENSIONS IN MILLIMETERS (IN INCHES)	DIMENSIONS IN MILLIMETERS (IN INCHES)
SOCKET ASSEMBLY, 16-BYTE DIMM, 1mm, 278 I/O				PART # (SEE ORDER SHEET) 00779-5340108	
MATERIAL:				CUSTOMER DRAWING:	