

4

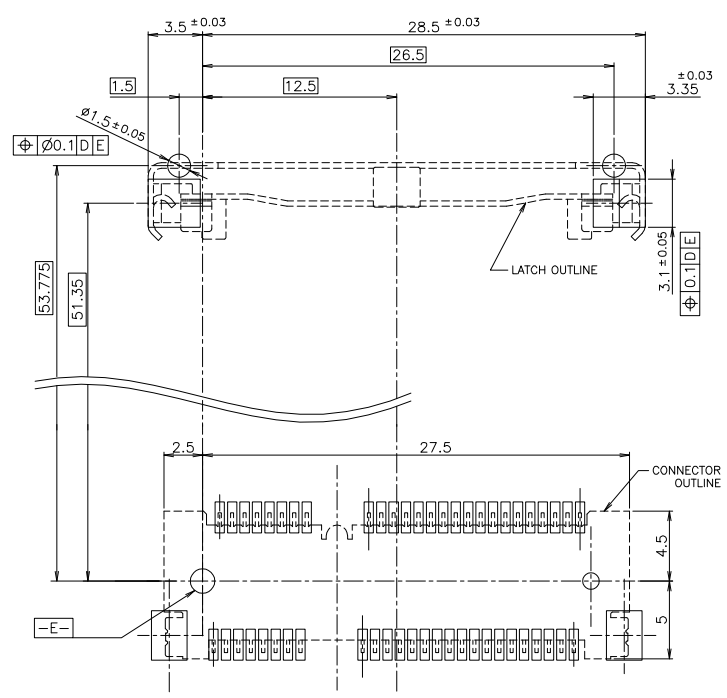
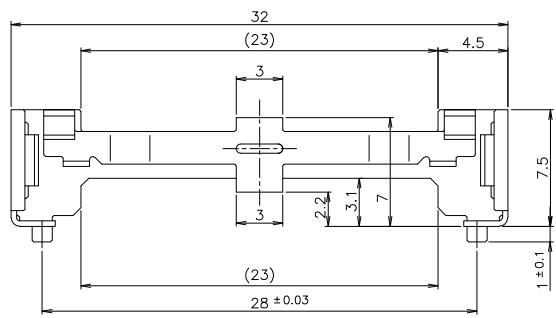
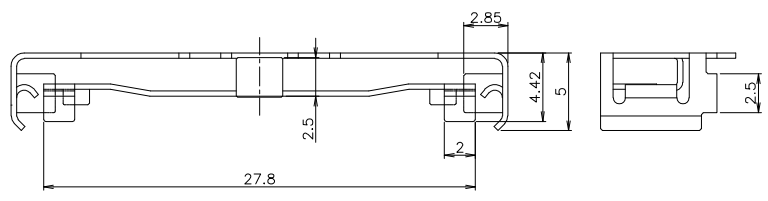
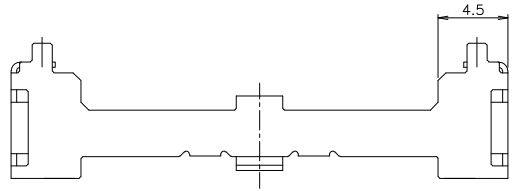
3

2

1

THIS DRAWING IS UNPUBLISHED. RELEASED FOR PUBLICATION JAN 2006.  
 © COPYRIGHT 2006 BY TYCO ELECTRONICS CORPORATION. ALL RIGHTS RESERVED.

LOC	DIST	REVISIONS			
P	LTR	DESCRIPTION	DATE	DWN	APVD
J		RELEASED	14FEB06	T.K	T.S



NOTE  
 1. MATERIAL : STAINLESS STEEL  
 2. FINISH : TIN PLATING ALL OVER NICKEL  
 3. [-E-] IS THE TOP SURFACE OF PCB.

H7	1827682-1
HEIGHT	PART NUMBER
TOLERANCES UNLESS OTHERWISE SPECIFIED	
100? :	±0.2
30? :	>10 : ±0.25
100? :	>10 : ±0.3
ANGLES :	±3°

THIS DRAWING IS A CONTROLLED DOCUMENT.	
DIMENSIONS:	TOLERANCES UNLESS OTHERWISE SPECIFIED:
MM	
0 PLC	±
1 PLC	±
2 PLC	±
3 PLC	±
4 PLC	±
ANGLES	±
MATERIAL	FINISH

THIS DRAWING IS A CONTROLLED DOCUMENT.		DWN T.KAWAMAE 17JAN06		Tyco Electronics AMP K.K.	
		CHK T.SASAKI 17JAN06		Kawasaki, Japan	
		APVD T.SASAKI 17JAN06		NAME	
		PRODUCT SPEC		LATCH	
		APPLICATION SPEC		MINI PCI EXPRESS CONNECTOR	
		WEIGHT -		SIZE CAGE CODE DRAWING NO	
		CUSTOMER DRAWING		A3 00779 C=1827682	
		SCALE 4:1		RESTRICTED TO	
		SHEET 1 OF 3		REV A	

AMP 1470-19 REV 31MAR2000

4

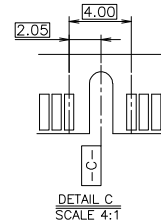
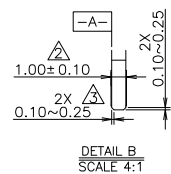
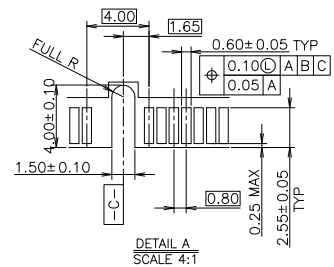
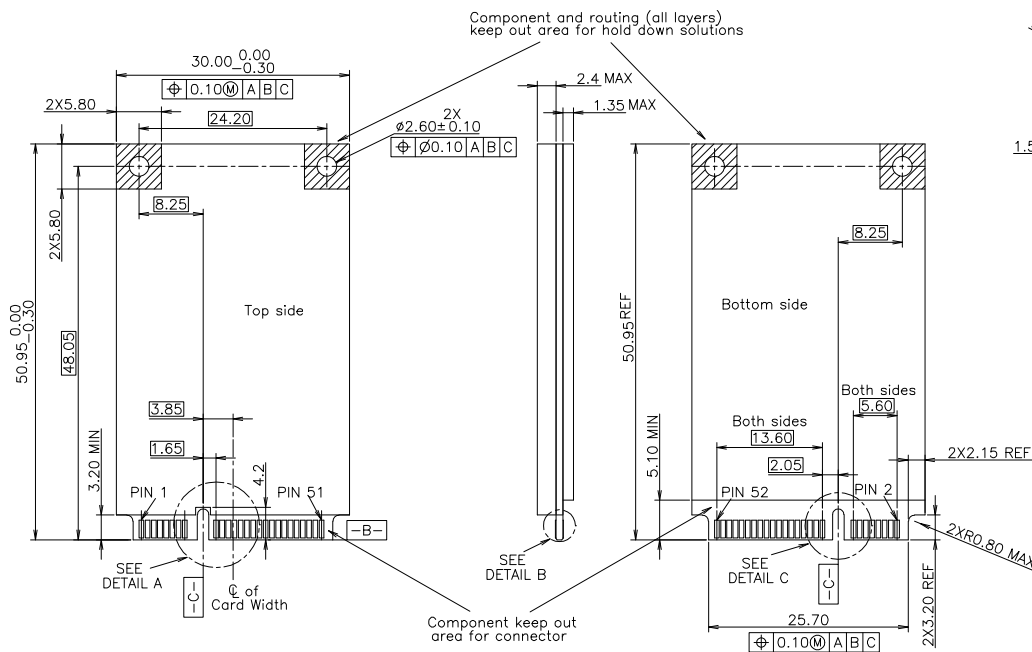
3

2

1

THIS DRAWING IS UNPUBLISHED. RELEASED FOR PUBLICATION JAN 2006.  
 © COPYRIGHT 2006 BY TYCO ELECTRONICS CORPORATION. ALL RIGHTS RESERVED.

LOC	DIST	REVISIONS			
P	LTR	DESCRIPTION	DATE	DWN	APVD
-	-	SEE SHEET 1	-	-	-



- NOTES  
 1. PCI EXPRESS MINI CARD, PCB THICKNESS 1.0MM.  
 2. CARD THICKNESS APPLIES ACROSS TABS AND INCLUDES PLATING AND/OR METALIZATION.  
 3. BEVEL MUST BE FREE OF CUTTING BURRS.

THIS DRAWING IS A CONTROLLED DOCUMENT.		DWN	Tyco Electronics		Tyco Electronics AMP K.K. Kawasaki, Japan
DIMENSIONS:	TOLERANCES UNLESS OTHERWISE SPECIFIED:	CHK	NAME		
MM	0 PLC ±	APVD	PRODUCT SPEC		
	1 PLC ±	APPLICATION SPEC			
	2 PLC ±	SIZE	CAGE CODE	DRAWING NO	RESTRICTED TO
	3 PLC ±	A3	00779	C=1827682	-
	4 PLC ±	CUSTOMER DRAWING			
MATERIAL	FINISH	SCALE	SHEET	OF	REV
		2:1	2	3	A

4

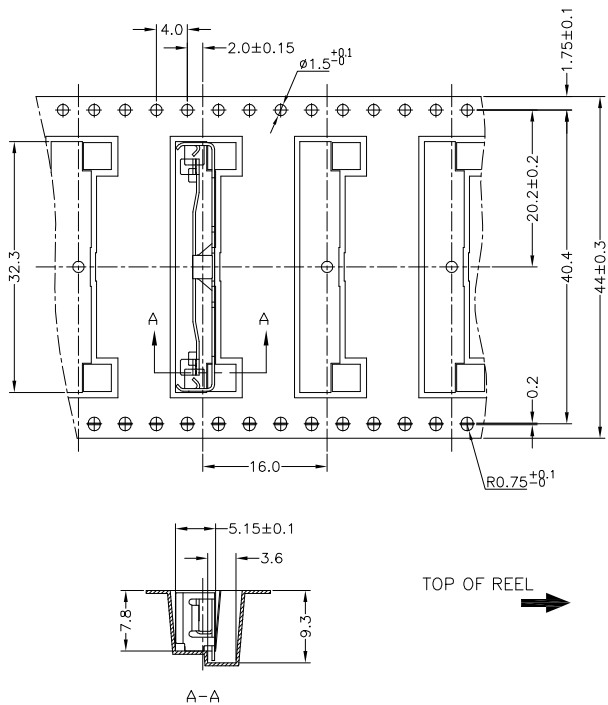
3

2

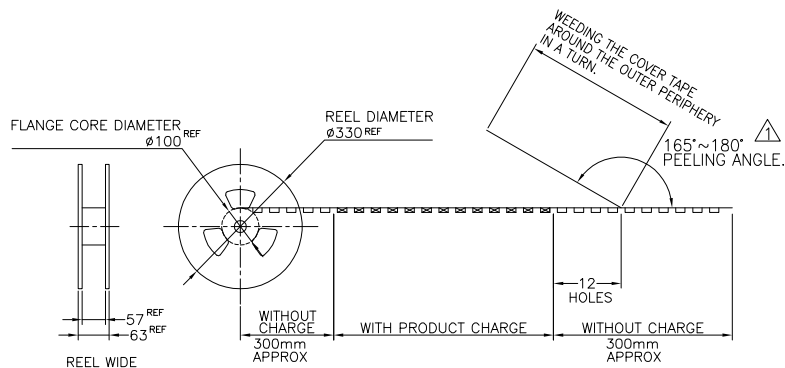
1

THIS DRAWING IS UNPUBLISHED. RELEASED FOR PUBLICATION JAN 2006.  
 © COPYRIGHT 2006 BY TYCO ELECTRONICS CORPORATION. ALL RIGHTS RESERVED.

LOC	DIST	REVISIONS			
P	LTR	DESCRIPTION	DATE	DWN	APVD
-	-	SEE SHEET 1	-	-	-



△ PEELING RESISTANCE: 0.1~0.3N  
 SPEED: 300mm/min.



300EA	8-912103-4	1827682-1
QTY/REEL	EMBOSS TAPE P/N	P/N

THIS DRAWING IS A CONTROLLED DOCUMENT.		DWN	-	Tyco Electronics AMP K.K.	
DIMENSIONS: MM		CHK	-	Kawasaki, Japan	
TOLERANCES UNLESS OTHERWISE SPECIFIED:		APVD	-	NAME	
0 PLC ±		PRODUCT SPEC	-	LATCH	
1 PLC ±		APPLICATION SPEC	-	MINI PCI EXPRESS CONNECTOR	
2 PLC ±		WEIGHT	-	SIZE	CAGE CODE
3 PLC ±		CUSTOMER DRAWING	-	A3	00779
4 PLC ±		SCALE	4:1	DRAWING NO	1827682
ANGLES ±		SHEET	3	RESTRICTED TO	-
FINISH		REV	A		