

- △ MATERIAL: SEE TABLE
- △ FINISH:
CONTACT: GOLD FLASH ON CONTACT AREA
GOLD FLASH ON SOLDERING AREA
1.27μm Ni UNDER PLATING ALL OVER
- SOLDER PEG: 3-5μm Sn PLATING ON SOLDER AREA
1.27μm Ni UNDER PLATING ALL OVER
- 3. REFLOW SOLDER CAPABLE TO 260°C MAX.
PER TE 109-201 CONDITION B.
- △ KEEP OUT AREA.
- 5. (SEE SHEET 4)

(WITHOUT CAP CONDITION)

| | |
|-------------|-------------|
| WITHOUT CAP | 1759941-2 |
| WITH CAP | 1759941-1 |
| TYPE | PART NUMBER |

| NO | DESCRIPTION | MATERIAL | QTY. |
|----|-----------------|---------------------------------|------|
| ⑥ | CAP | HIGH TEMP. THERMOPLASTIC(BLACK) | 1 |
| ⑤ | PEG | COPPER ALLOY | 2 |
| ④ | UPPER CONTACT-2 | COPPER ALLOY | 13 |
| ③ | UPPER CONTACT-1 | COPPER ALLOY | 13 |
| ② | LOWER CONTACT | COPPER ALLOY | 26 |
| ① | HOUSING | HIGH TEMP. THERMOPLASTIC(BLACK) | 1 |

THIS DRAWING IS A CONTROLLED DOCUMENT.

| | | |
|------------------|-------------|---------|
| DWN | V.PENG | 25OCT07 |
| CHK | K.KOBAYASHI | 25OCT07 |
| APVD | H.KODAMA | 25OCT07 |
| PRODUCT SPEC | 108-99012 | |
| APPLICATION SPEC | | |

NAME: MINICARD CONNECTOR BOTTOM MOUNT

| | | | |
|------|-----------|------------|---------------|
| SIZE | CAGE CODE | DRAWING NO | RESTRICTED TO |
| A3 | 00779 | 1759941 | |

WEIGHT: 1.5g

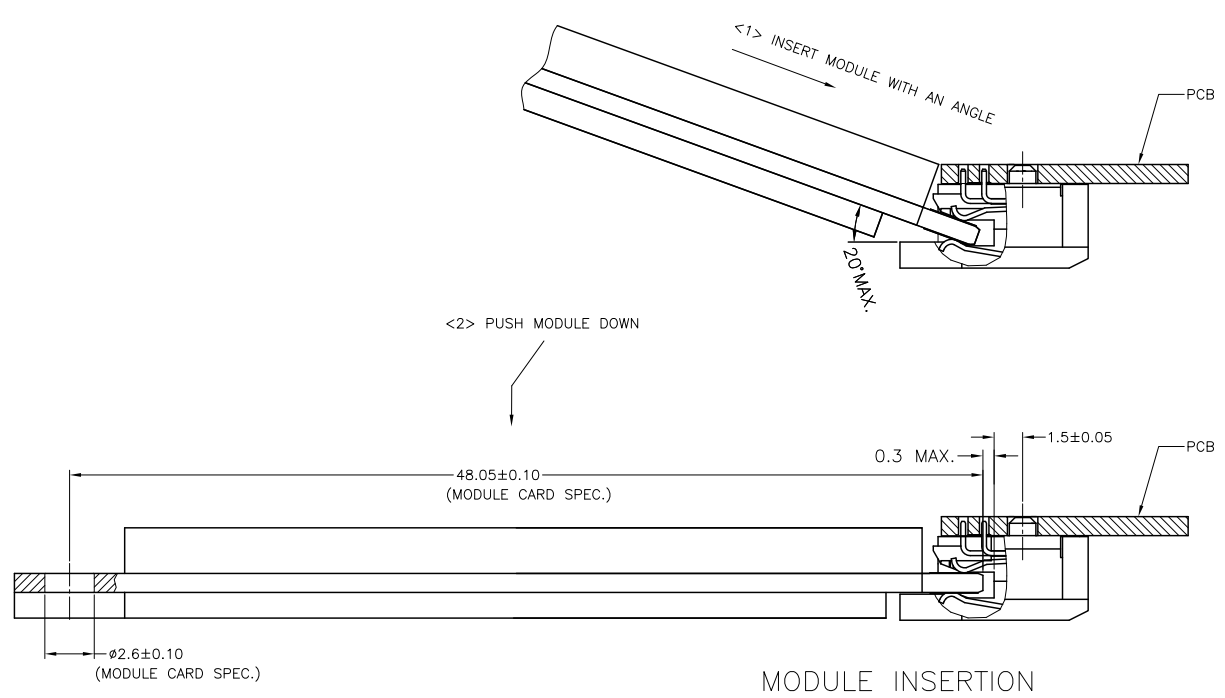
CUSTOMER DRAWING

SCALE: 4:1 SHEET: 1 OF 4 REV: F1

4 3 2 1

THIS DRAWING IS UNPUBLISHED. RELEASED FOR PUBLICATION
 © COPYRIGHT By - ALL RIGHTS RESERVED.

| LOC | DIST | REVISIONS | | | |
|-----|------|-------------|------|-----|------|
| P | LTR | DESCRIPTION | DATE | DWN | APVD |
| DW | | SEE SHEET 1 | - | - | - |



MODULE INSERTION

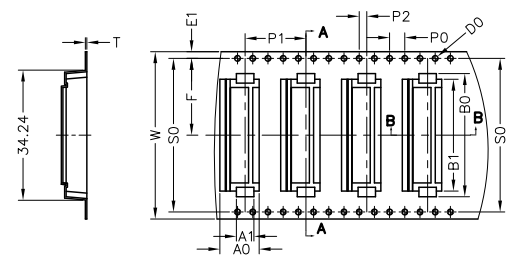
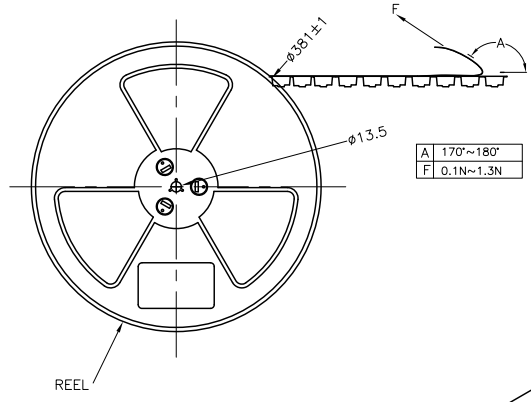
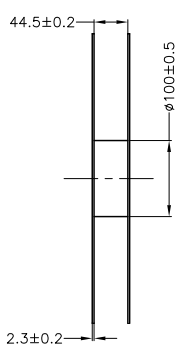
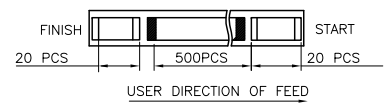
| | | | | |
|---|--|------------------|---------------------------------|---------------|
| THIS DRAWING IS A CONTROLLED DOCUMENT. | | DWN | TE Connectivity | |
| DIMENSIONS: mm | | CHK | NAME | |
| TOLERANCES UNLESS OTHERWISE SPECIFIED: 0 PLC ± - 1 PLC ± - 2 PLC ± - 3 PLC ± - 4 PLC ± - ANGLES ± ± | | APVD | MINICARD CONNECTOR BOTTOM MOUNT | |
| MATERIAL FINISH | | PRODUCT SPEC | SIZE | RESTRICTED TO |
| | | APPLICATION SPEC | A3 | |
| | | WEIGHT | CAGE CODE | DRAWING NO |
| | | CUSTOMER DRAWING | 00779 | 1759941 |
| | | SCALE | SHEET | REV |
| | | 5:1 | 2 of 4 | F1 |

4 3 2 1

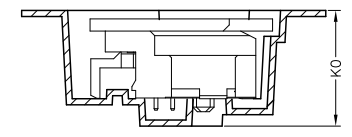
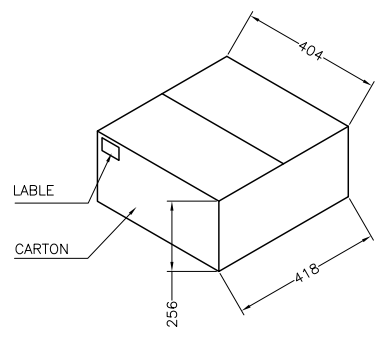
THIS DRAWING IS UNPUBLISHED. RELEASED FOR PUBLICATION
 © COPYRIGHT By - ALL RIGHTS RESERVED.

| LOC | DIST | REVISIONS | | | |
|-----|------|-------------|------|-----|------|
| P | LTR | DESCRIPTION | DATE | DWN | APVD |
| | | SEE SHEET 1 | | | |

| DIMENSIONS | SPEC |
|------------|-----------|
| W | 44.0±0.3 |
| E1 | 1.8±0.1 |
| F | 20.2±0.15 |
| PO | 4.0±0.1 |
| P1 | 20.0±0.1 |
| P2 | 2.0±0.15 |
| DO | 1.5±0.05 |
| T | 0.40±0.05 |
| AO | 13.61±0.1 |
| AF | 4.64±0.1 |
| BO | 31.78±0.1 |
| D1 | NA |
| K0 | 7.20±0.1 |
| SO | 40.4±0.1 |



SECTION A-A



SECTION B-B

5. MATERIAL :
 - 5.1 REEL: PS(RoHS) BLUE.
 - 5.2 COVER TAPE: PE.
 - 5.3 SHIPPING CARTON: CORRUGATED FIBER
6. DIMENSION :
 - 6.1 REEL: W=44.5
 - 6.2 SHIPPING CARTON: L=418, W=404, H=256
7. QUANTITY :
 - 7.1 PRIMARY PACKING: 500 PCS/REEL
 - 7.2 SECONDARY PACKING: 3 REELS(1500PCS)/CARTON
8. WEIGHT :
 - 8.1 GROSS WEIGHT : 5.72kg/CARTON.
 - 8.2 NET WEIGHT: 1.5g/PCS, 2.25kg/CARTON.
9. PEELING RESISTANCE: SEE TABLE
10. PEELING SPEED: 300mm/minutes.

| | | | | | | | | | | | | | | | | |
|--|---|------------------|-----------|---------------|---|-------|---|-------|---|-------|---|--------|---|--------------|---------------------------------|--|
| THIS DRAWING IS A CONTROLLED DOCUMENT. | | DWN | | | | | | | | | | | | | | |
| DIMENSIONS: mm | | CHK | | | | | | | | | | | | | | |
| TOLERANCES UNLESS OTHERWISE SPECIFIED: | | APVD | NAME | | | | | | | | | | | | | |
| <table border="1"> <tr><td>0 PLC</td><td>±</td></tr> <tr><td>1 PLC</td><td>±</td></tr> <tr><td>2 PLC</td><td>±</td></tr> <tr><td>3 PLC</td><td>±</td></tr> <tr><td>4 PLC</td><td>±</td></tr> <tr><td>ANGLES</td><td>±</td></tr> </table> | | 0 PLC | ± | 1 PLC | ± | 2 PLC | ± | 3 PLC | ± | 4 PLC | ± | ANGLES | ± | PRODUCT SPEC | MINICARD CONNECTOR BOTTOM MOUNT | |
| 0 PLC | ± | | | | | | | | | | | | | | | |
| 1 PLC | ± | | | | | | | | | | | | | | | |
| 2 PLC | ± | | | | | | | | | | | | | | | |
| 3 PLC | ± | | | | | | | | | | | | | | | |
| 4 PLC | ± | | | | | | | | | | | | | | | |
| ANGLES | ± | | | | | | | | | | | | | | | |
| MATERIAL | | APPLICATION SPEC | SIZE | RESTRICTED TO | | | | | | | | | | | | |
| FINISH | | WEIGHT | A3 00779 | DRAWING NO | | | | | | | | | | | | |
| | | CUSTOMER DRAWING | C-1759941 | 1759941 | | | | | | | | | | | | |
| | | SCALE | N/A | SHEET 4 of 4 | | | | | | | | | | | | |
| | | REV | F1 | | | | | | | | | | | | | |