

4

3

2

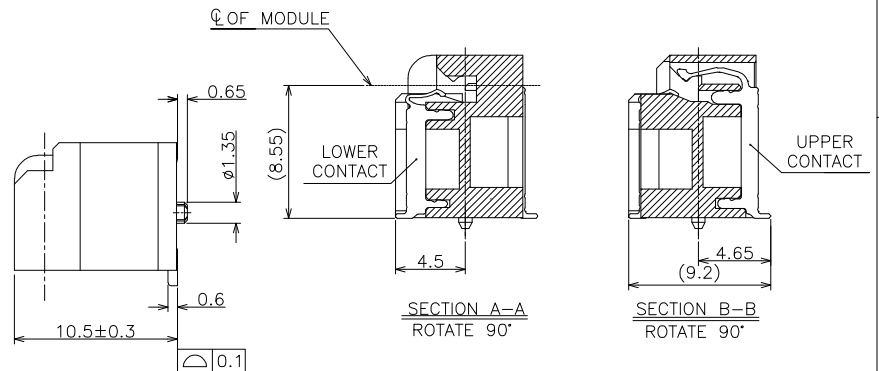
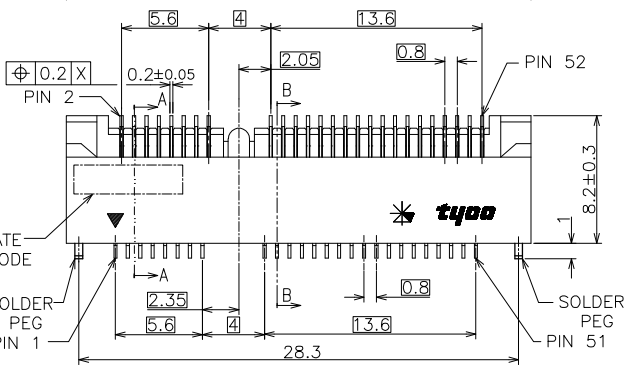
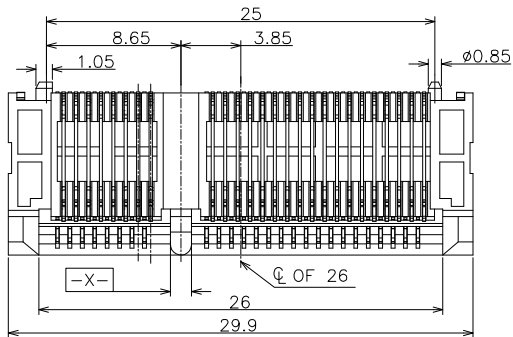
1

THIS DRAWING IS UNPUBLISHED. RELEASED FOR PUBLICATION
 © COPYRIGHT 2006 BY TYCO ELECTRONICS CORPORATION. ALL RIGHTS RESERVED.

| LOC | DIST | REVISIONS | | | |
|-----|------|-------------|---------|-----|------|
| P | LTR | DESCRIPTION | DATE | DWN | APVD |
| | A | RELEASED | 22JUN06 | S.W | H.K |

1759516-1: AS SHOWN

- MATERIAL :
 HOUSING : HIGH TEMPERATURE THERMO PLASTIC UL94V-0
 COLOR: BLACK
 CONTACT : COPPER ALLOY
 SOLDER PEG : COPPER ALLOY
- FINISH : CONTACT : CONTACT AREA--- Au FLASH, ALL OVER Ni PLATING
 SOLDERING AREA---Au FLASH, ALL OVER Ni PLATING
 SOLDER PEG : Sn PLATING, ALL OVER Ni UNDER PLATING
- REFLOW SOLDER CAPABLE TO 260°C PER TYCO SPEC 109-201, CONDITION B.



TOLERANCES UNLESS OTHERWISE SPECIFIED
 10 ± : ±0.2
 30 ± > 10: ±0.25
 100 ± > 10: ±0.3
 ANGLES : ±3°

| | | | | |
|--|--|-------------------------|---|----------------------------------|
| THIS DRAWING IS A CONTROLLED DOCUMENT. | | DWN S.WATANABE 22JUN06 | | Tyco Holdings (Bermuda) VII Ltd. |
| DIMENSIONS: MM | | CHK K.KOBAYASHI 22JUN06 | | Taiwan Branch |
| TOLERANCES UNLESS OTHERWISE SPECIFIED: | | APVD H.KODAMA 22JUN06 | NAME | 0.8MM PITCH |
| 0 PLC ± - | | PRODUCT SPEC | MINI PCI EXPRESS CONNECTOR ASSEMBLY (10.5MM HEIGHT) | |
| 1 PLC ± - | | APPLICATION SPEC | SIZE | CAGE CODE |
| 2 PLC ± - | | FINISH | A3 | 00779 |
| 3 PLC ± - | | MATERIAL | DRAWING NO | |
| 4 PLC ± - | | SEE NOTE | C-1759516 | |
| ANGLES ± 3° | | WEIGHT | RESTRICTED TO | |
| SEE NOTE | | 2.85gr | - | |
| SEE NOTE | | CUSTOMER DRAWING | SCALE | SHEET |
| | | | 4:1 | 1 OF 4 |
| | | | | REV A |

AMP 1470-19 REV 31MAR2000

P:\Product_Engineer\PL_Item_Approval\RFQ_TW-2006-056_Minipci_Express_11H_header\TYCO_MADE_DWG\C-DWG\C-1759516.LATEST.dwg

4

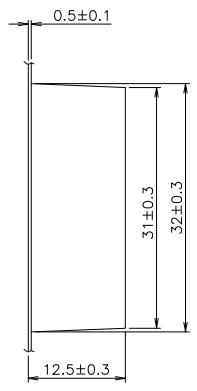
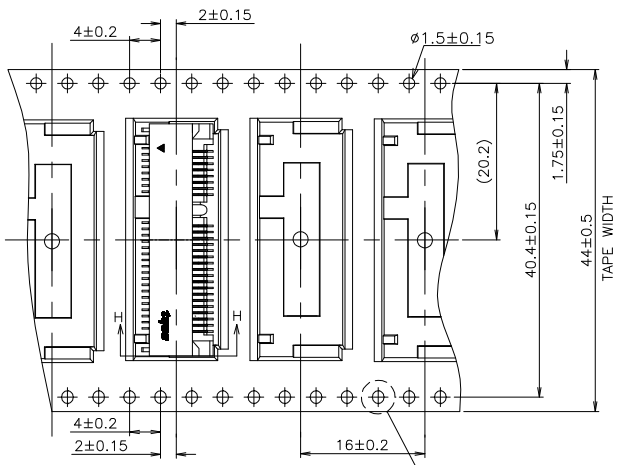
3

2

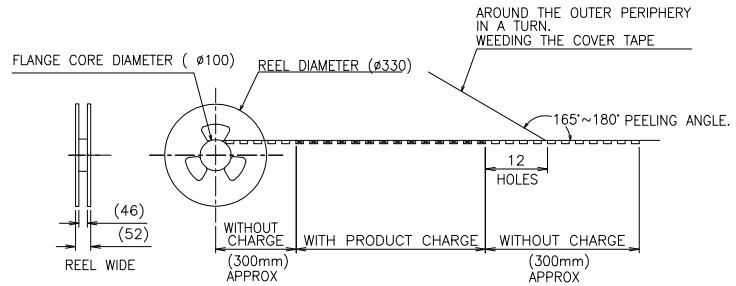
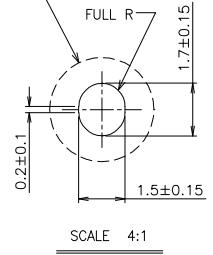
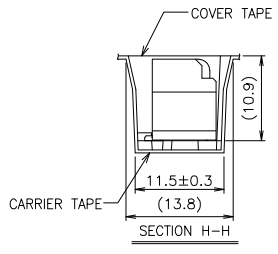
1

THIS DRAWING IS UNPUBLISHED. RELEASED FOR PUBLICATION
 © COPYRIGHT 2006 BY TYCO ELECTRONICS CORPORATION. ALL RIGHTS RESERVED.

| LOC | DIST | REVISIONS | | | |
|-----|------|-------------|------|-----|------|
| P | LTR | DESCRIPTION | DATE | DWN | APVD |
| DW | | | | | |



4. MATERIAL
 CARRIER TAPE: PS, COLOR: CLEAR
 COVER TAPE: PET, COLOR: CLEAR



SCALE 1:25

| | | | |
|--------------------|------------------------------|-------------------------------|-----------------------|
| 280PCS QTY/REEL | 5REEL REEL/ OUT CARTON | 1400PCS QTY/ OUT CARTON | 1759516-1 PART NO. |
|--------------------|------------------------------|-------------------------------|-----------------------|

| | | | | |
|--|--|------------------|-------------------------------------|---------------|
| THIS DRAWING IS A CONTROLLED DOCUMENT. | | DWN | Tyco Holdings (Bermuda) VII Ltd. | |
| DIMENSIONS: MM | | CHK | Taiwan Branch | |
| TOLERANCES UNLESS OTHERWISE SPECIFIED: | | APVD | NAME | |
| 0 PLC ± - | | PRODUCT SPEC | 0.8MM PITCH | |
| 1 PLC ± - | | APPLICATION SPEC | MINI PCI EXPRESS CONNECTOR ASSEMBLY | |
| 2 PLC ± - | | WEIGHT | (10.5MM HEIGHT) | |
| 3 PLC ± - | | CUSTOMER DRAWING | SIZE | RESTRICTED TO |
| 4 PLC ± - | | | A3 | |
| ANGLES ± - | | | CAGE CODE | DRAWING NO |
| FINISH | | | 00779 | 1759516 |
| | | SCALE | 2:1 | SHEET 2 OF 4 |
| | | REV | A | |

AMP 1470-19 REV 31MAR2000

P:\Product_Engineer\PL_Item_Approval\RFQ TW-2006-056 Minipci Express 11H_header\TYCO_MADE_DWG\C-DWG\C-1759516.LATEST.dwg

4

3

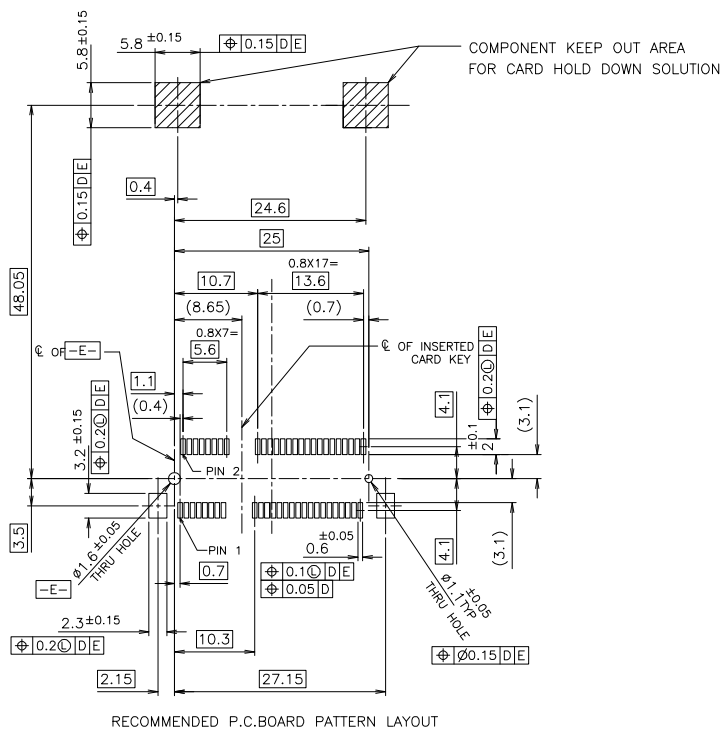
2

1

THIS DRAWING IS UNPUBLISHED. RELEASED FOR PUBLICATION
 © COPYRIGHT 2006 BY TYCO ELECTRONICS CORPORATION. ALL RIGHTS RESERVED.

| LOC | DIST | REVISIONS | | | |
|-----|------|-------------|------|-----|------|
| P | LTR | DESCRIPTION | DATE | DWN | APVD |
| DW | | | | | |

5. $\boxed{-D-}$ IS THE TOP SURFACE OF PCB.



RECOMMENDED P.C. BOARD PATTERN LAYOUT

| | | | | |
|--|--|------------------|-------------------------------------|---------------|
| THIS DRAWING IS A CONTROLLED DOCUMENT. | | DWN | Tyco Holdings (Bermuda) VII Ltd. | |
| DIMENSIONS: | | CHK | Taiwan Branch | |
| MM | TOLERANCES UNLESS OTHERWISE SPECIFIED: | APVD | NAME | |
| | 0 PLC ± - | PRODUCT SPEC | 0.8MM PITCH | |
| | 1 PLC ± - | APPLICATION SPEC | MINI PCI EXPRESS CONNECTOR ASSEMBLY | |
| | 2 PLC ± - | WEIGHT | (10.5MM HEIGHT) | |
| | 3 PLC ± - | CUSTOMER DRAWING | SIZE | RESTRICTED TO |
| | 4 PLC ± - | | A3 | |
| | ANGLES ± - | | CAGE CODE | DRAWING NO |
| MATERIAL | FINISH | | 00779 | 1759516 |
| | | SCALE | 2:1 | SHEET 3 OF 4 |
| | | REV | A | |

AMP 1470-19 REV 31MAR2000

P:\Product_Engineer\PL_Item_Approval\RFQ TW-2006-056 Minipci Express 11H_header\TYCO_MADE_DWG\C-DWG\C-1759516.LATEST.dwg

4

3

2

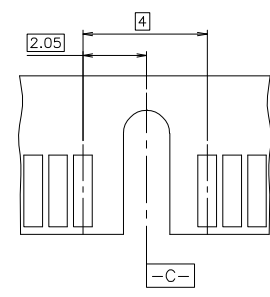
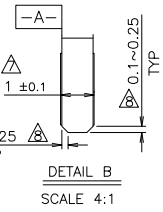
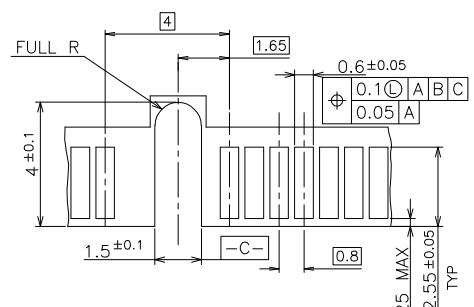
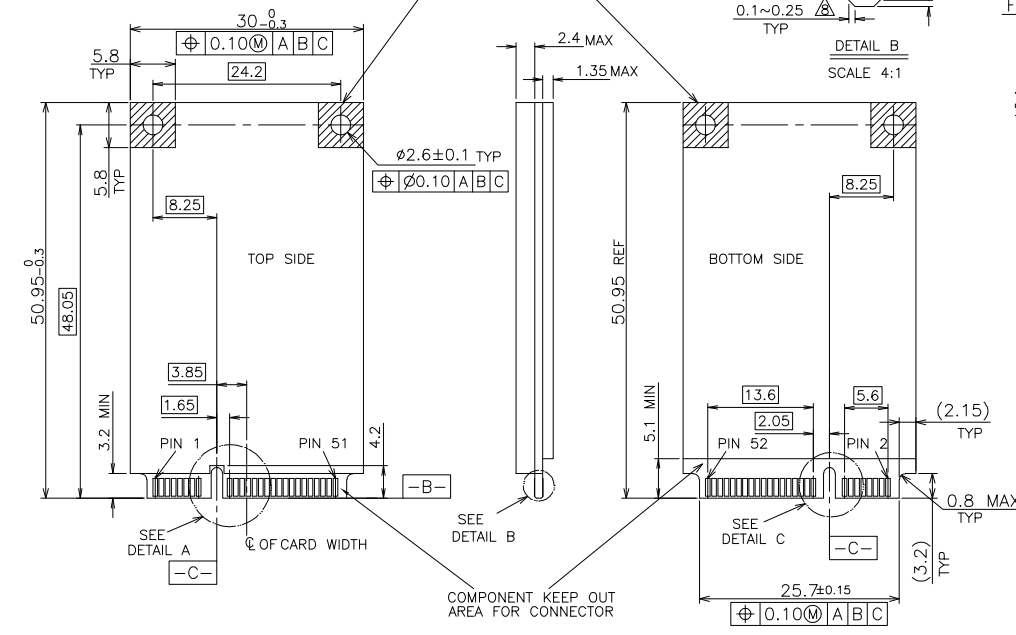
1

THIS DRAWING IS UNPUBLISHED. RELEASED FOR PUBLICATION
 © COPYRIGHT 2006 BY TYCO ELECTRONICS CORPORATION. ALL RIGHTS RESERVED.

| LOC | DIST | REVISIONS | | | |
|-----|------|-------------|------|-----|------|
| P | LTR | DESCRIPTION | DATE | DWN | APVD |
| DW | | | | | |

6. PCI EXPRESS MINI CARD, PCB THICKNESS 1MM.
 ▲ CARD THICKNESS APPLIES ACROSS TABS AND INCLUDES PLATING AND/OR METALIZATION.
 ▲ BEVEL MUST BE FREE OF CUTTING BURRS.

COMPONENT AND ROUTING (ALL LAYERS)
 KEEP OUT AREA FOR HOLD DOWN SOLUTIONS



| | | | | |
|--|--|------------------|-------------------------------------|---------------|
| THIS DRAWING IS A CONTROLLED DOCUMENT. | | DWN | Tyco Holdings (Bermuda) VII Ltd. | |
| DIMENSIONS: MM | | CHK | Taiwan Branch | |
| TOLERANCES UNLESS OTHERWISE SPECIFIED: | | APVD | NAME | |
| 0 PLC ± - | | PRODUCT SPEC | 0.8MM PITCH | |
| 1 PLC ± - | | APPLICATION SPEC | MINI PCI EXPRESS CONNECTOR ASSEMBLY | |
| 2 PLC ± - | | WEIGHT | (10.5MM HEIGHT) | |
| 3 PLC ± - | | CUSTOMER DRAWING | SIZE | RESTRICTED TO |
| 4 PLC ± - | | | A3 | |
| ANGLES ± - | | | CAGE CODE | DRAWING NO |
| FINISH | | | 00779 | 1759516 |
| | | SCALE | 2:1 | SHEET 4 OF 4 |
| | | REV | A | |

AMP 1470-19 REV 31MAR2000

P:\Product_Engineer\PL_Item_Approval\RFQ IW-2006-056 Minipci Express 11H_header\TYCO_MADE_DWG\C-DWG\C-1759516.LATEST.dwg