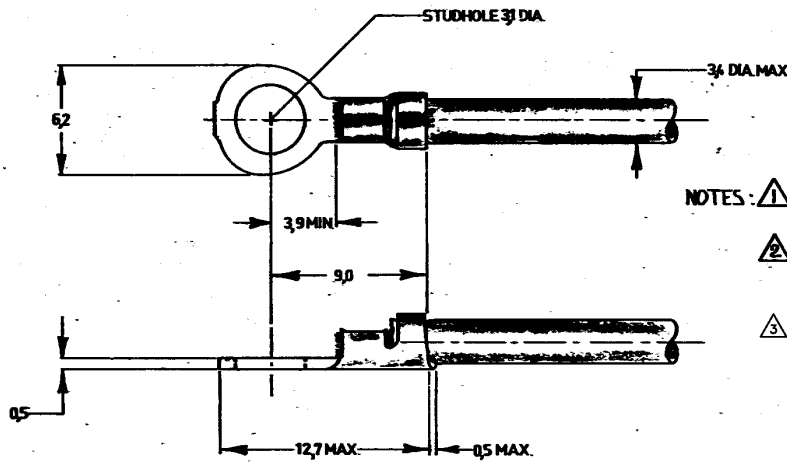


DIMENSIONS IN MILL. —DO NOT SCALE PRINT

NUMBER C-160494 - E

LTR	DESCRIPTION	DATE	APPROVED
B1	REVISED PER ECO-09-022178	27 OCT 08	KK / AEG



- NOTES:
- ⚠ FOR USE ON STANDARD AND MINIATURE APPLICATIONS
  - ⚠ FOR USE ON MINIATURE APPL. (M.P.O. MOTOR APPLICATION)
  - ⚠ OBSOLETE PARTS: OBSOLETE CIS STREAMLINING PER D.RENAUD/D.SINISI

ORDER NO 160494

⚠ OBSOLETE

UNPLATED	BRASS	160494-3	⚠
TIN PLATED	BRASS	160494-2	⚠
UNPLATED	BRASS	160494-1	⚠
FINISH	MATERIAL	ORDER NO.	

CUSTOMER PRINT FOR REFERENCE ONLY

REQUIRED PER ASSEMBLY

-9	-8	-7	-6	-5	-4	-3	-2	-1	QTY

©1964 BY AMP HOLLAND N.V. ALL RIGHTS RESERVED. A.M.P. PRODUCTS COVERED BY PATENTS AND/OR PATENTS PENDING.



DR. R. VEGGEL	DATE APP. 18-6-64	DATE REL. 10/1/64	DATE
CHK. P. J. Jansen	DATE APP. 10/1/64	DATE FIRST USED	
TYPE A.M.	PRINT DIST. H	LOC. A	SIZE NUMBER C-160494-E
SCALE 4=1	WIRE SIZE 05-14	C.M.A. NAME	REV B1

DESCRIPTION

RINGTONGUE WITH INS. SUPPORT