

4

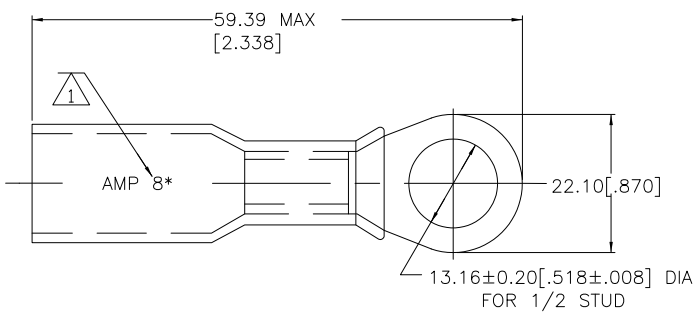
3

2

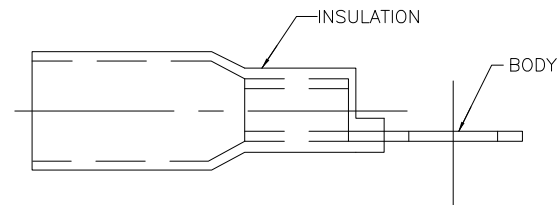
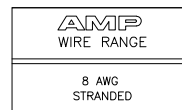
1

THIS DRAWING IS UNPUBLISHED. RELEASED FOR PUBLICATION  
 © COPYRIGHT - BY TYCO ELECTRONICS CORPORATION. ALL INTERNATIONAL RIGHTS RESERVED.

LOC	DIST	REVISIONS				
P	LTR	DESCRIPTION	DATE	DWN	APVD	
G	14	D	REVISED PER ECR-09-027352	18FEB10	JR	TM



- 1 STAMP AMP 8\* APPROX AS SHOWN
- 2 WIRE INSULATION DIA 7.87 [.310] MAX
- 3 TONGUE MATERIAL THK 1.14±0.05 [.045±.002]
- 4 SUPERSEDED BY 8-55865-5



10	LOOSE PIECE	8-55865-5
100	LOOSE PIECE	4 55865-1
QTY	PACKAGE TYPE	PART NO

AMP INCORPORATED  
CUSTOMER SERVICE SYSTEMS

FOR ADDITIONAL PRODUCT INFORMATION OR COPIES OF DRAWINGS AND TECHNICAL DOCUMENTS	PRODUCT INFORMATION CENTER 1-800-522-6752
FOR APPLICATION TOOLING INFORMATION	TOOLING ASSISTANCE CENTER 1-800-722-1111
FOR ORDER ENTRY	1-800-526-5142

MAX RECOMMENDED OPERATING TEMPERATURE: 125° C MAX	VOLTAGE RATING: 600V MAX (BUILDING WIRING) 1000V MAX (FIXTURES & SIGNS)	CIRCULAR MIL AREA: 6.64-10.54 <sup>2</sup> [13100-20800] STRANDED
--	---	---

THIS DRAWING IS A CONTROLLED DOCUMENT.	
DIMENSIONS: mm [INCHES]	TOLERANCES UNLESS OTHERWISE SPECIFIED:
	0 PLC ± -
	1 PLC ± -
	2 PLC ± 0.20[.008]
	3 PLC ± -
	4 PLC ± -
	ANGLES ± -
MATERIAL BODY: ETP COPPER INSULATION: POLYOLEFIN COLOR: RED	FINISH EDP TIN PLATED

DWN S S GOULDEN 6/93	CHK R HERSEY 6/93	APVD B BARE 6/93
PRODUCT SPEC		
APPLICATION SPEC 408-4022		
WEIGHT		
CUSTOMER DRAWING		

Tyco Electronics Corporation Harrisburg, PA 17105-3608		
NAME TERMINAL, RING TONGUE, SEALABLE HEAT SHRINKABLE		
SIZE A3	CAGE CODE 00779	DRAWING NO C-55865
RESTRICTED TO		REV D