

4

3

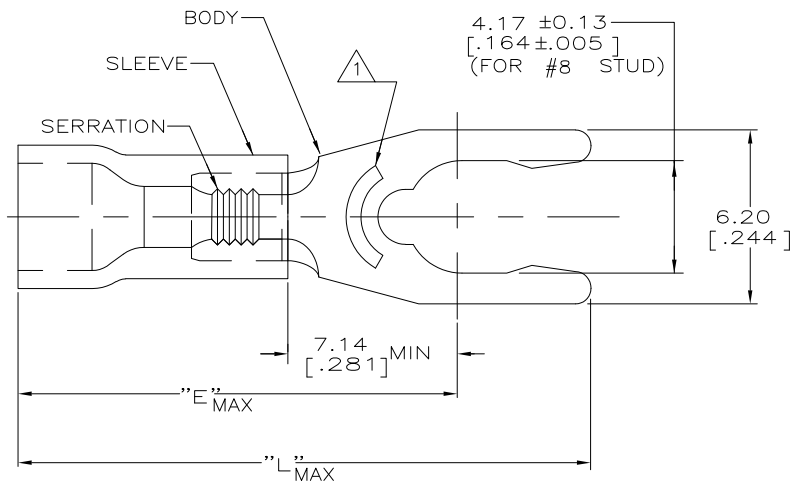
2

1

THIS DRAWING IS UNPUBLISHED. RELEASED FOR PUBLICATION
 © COPYRIGHT - BY TYCO ELECTRONICS CORPORATION. ALL RIGHTS RESERVED.

LOC	DIST	REVISIONS			
P	LTR	DESCRIPTION	DATE	DWN	APVD
G	14				
	L	REV PER ECR 10-005023	05MAR10	JR	TM

AMP WIRE RANGE	Listed FILE E13288	LR7189 Certified
16-14 AWG SOLID OR STRANDED	16-14 AWG SOLID OR STRANDED	16-14 AWG SOLID OR STRANDED



- △ 1 STAMP 8SAMP 16-14* APPROX AS SHOWN
 2. SEE TABLE FOR WIRE INSUL DIA
 3. TONGUE MATL THK, 0.79±0.05 [.031±.002]
 △ 4 MATERIAL: BODY - BRASS PER ASTM B-36
 SLEEVE - PVC, COLOR - BLUE

22.15 [.872]	17.70 [.697]	3.00-4.90 [.118-.193]	100	LOOSE PIECE, BOX	8-53244-1
23.39 [.921]	18.95 [.746]	3.81-6.35 [.150-.250]	2500	ON TAPE, REEL	53244-4
22.15 [.872]	17.70 [.697]	3.00-4.90 [.118-.193]	5000	ON TAPE, REEL	53244-2
22.15 [.872]	17.70 [.697]	3.00-4.90 [.118-.193]	1000	LOOSE PIECE	53244-1
L	E	WIRE INSUL DIA	QTY	PACKAGE TYPE	PART NO

AMP INCORPORATED CUSTOMER SERVICE SYSTEMS		MAX RECOMMENDED OPERATING TEMPERATURE: 105°C [221° F]	THIS DRAWING IS A CONTROLLED DOCUMENT.		DWN L OLMEDA 26JUN95	Tyco Electronics Corporation Harrisburg, Pa 17105-3608	
FOR ADDITIONAL PRODUCT INFORMATION OR COPIES OF DRAWINGS AND TECHNICAL DOCUMENTS	PRODUCT INFORMATION CENTER 1-800-522-6752	VOLTAGE RATING: 600V MAX (1000V FIXTURE OR SIGN)	DIMENSIONS: mm [INCHES]	TOLERANCES UNLESS OTHERWISE SPECIFIED:	CHK M ELLIS 26JUN95	NAME G NGO 26JUN95	TERMINAL, SPRING SPADE, SHORT, PLASTI-GRIP, WIRE SIZE: 16-14
FOR APPLICATION	TOOLING ASSISTANCE CENTER 1-800-722-1111	CIRCULAR MIL AREA: 1.04-2.62mm² [2,050-5,180] SOLID OR STRANDED	0 PLC ± -	1 PLC ± -	APVD G NGO 26JUN95	PRODUCT SPEC UL 486A	SIZE A3
TOOLING INFORMATION	1-800-722-1111		2 PLC ± 0.20 [008]	3 PLC ± -	APPLICATION SPEC	CAGE CODE 00779	DRAWING NO 53244
FOR ORDER ENTRY	1-800-526-5142	THIS DRAWING IS A CONTROLLED DOCUMENT FOR AMP INCORPORATED. IT IS SUBJECT TO CHANGE AND THE CONTROLLING ENGINEERING ORGANIZATION SHOULD BE CONTACTED FOR THE LATEST REVISION.	MATERIAL - △ 4	FINISH TIN PER ASTM B545	WEIGHT -	RESTRICTED TO -	
AMP 1470-19 REV 31MAR2000					CUSTOMER DRAWING		
H:\dmtecm\53244_1-c.dwg					SCALE 6:1	SHEET 1	OF 1
					REV L		