

4

3

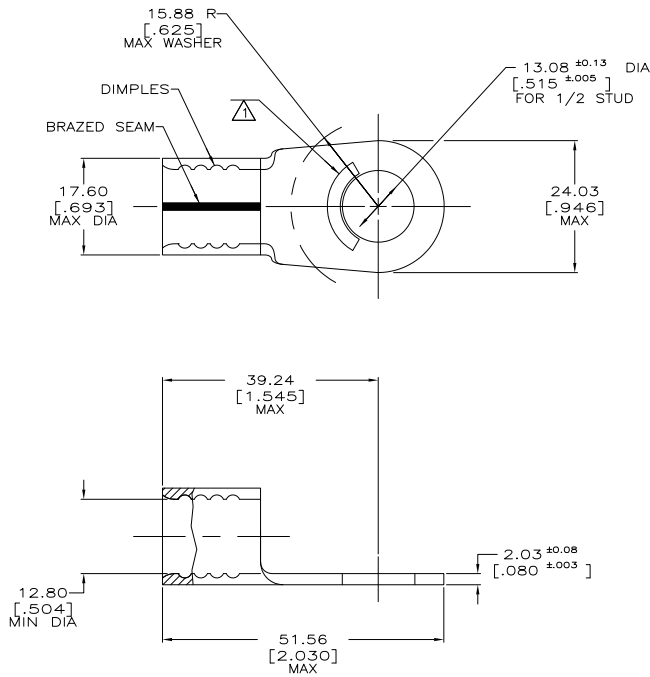
2

1

THIS DRAWING IS UNPUBLISHED. RELEASED FOR PUBLICATION
 © COPYRIGHT BY TYCO ELECTRONICS CORPORATION. ALL INTERNATIONAL RIGHTS RESERVED.

LOC		DIST		REVISIONS		
P	LTR	DESCRIPTION	DATE	BY	APPD	
G	14	L	REV PER EDR 10-000722	25JAN10	JR TM	

AMP WIRE RANGE	E13288 Listed	LR7189 Certified
2/0 AWG SOLID OR STRANDED	2/0 AWG STRANDED	2/0 AWG SOLID OR STRANDED



- 1 STAMP AMP 2/0W* APPROX AS SHOWN
- 2 COPPER PER ASTM B-152, ANNEALED
- 3 TIN PLATE 0.00254 [0.000100] MIN THK EXT. PER ASTM B-545
- 4 MAX RECOMMENDED OPERATING TEMP IS 170°C.
- 5 WIRE CROSS SECTIONAL AREA RANGE: 60.6-76.3mm [119,500-150,500] CMA SOLID OR STRANDED.

25	SMALL PACK	8-36925-3
50	LOOSE PIECE	36925
QTY	PACKAGING TYPE	PART NO.

THIS DRAWING IS A CONTROLLED DOCUMENT.		DRK SCHRUM 1/14/94	Tyco Electronics Corporation Harrisburg, PA 17105-3608	
DIMENSIONS: MM [INCHES]		CK AL KAUFMAN 1/19/94	TERMINAL, RING TONGUE, SOLISTRAND	
TOLERANCES UNLESS OTHERWISE SPECIFIED:		APPD JIL MECKLEY 1/19/94	APPLICATION SPEC	RESTRICTED TO
0 PLG	± .005	PRODUCT SPEC	SIZE	00779C-36925
1 PLG	± .005	APPLICATION SPEC	QTY	25
2 PLG	± .005	PRODUCT SPEC	SCALE	2:1
3 PLG	± .005	APPLICATION SPEC	SHEET	1 of 1
4 PLG	± .005	PRODUCT SPEC	REV	L
ANGLES	± .005	CUSTOMER DRAWING		
FINISH	± .005			

1471-9 (1/08)

36925

A