

4

3

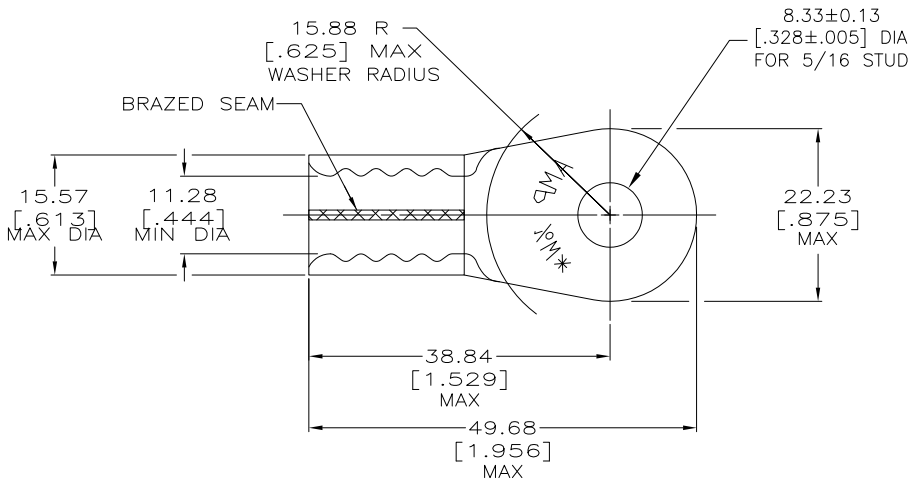
2

1

THIS DRAWING IS UNPUBLISHED. RELEASED FOR PUBLICATION  
 © COPYRIGHT - BY TYCO ELECTRONICS CORPORATION. ALL INTERNATIONAL RIGHTS RESERVED.

LOC	DIST	REVISIONS			
P	LTR	DESCRIPTION	DATE	DWN	APVD
G	14	J2	REV PER ECR 09-017201	30JUL09	JR TM

<b>AMP</b> WIRE RANGE	E13288 Listed	LR7189 Certified
1/0 AWG SOLID OR STRANDED	1/0 AWG SOLID OR STRANDED	1/0 AWG SOLID OR STRANDED



△ 1 TIN PL 0.00254[.000100] MIN THK PER ASTM B-545

25	SMALL	△ 1	COPPER ASTM B-152 1.78 ±0.08 [.070 ±.003] ANNEALED	8-36916-3
50	STANDARD			36916
QTY	PACKAGE TYPE	FINISH	MATERIAL	PART NO.

MAX RECOMMENDED OPERATING TEMPERATURE: 170°C MAX	THIS DRAWING IS A CONTROLLED DOCUMENT.		DWN DK SCHRUM 7/2/91	Tyco Electronics Corporation Harrisburg, PA 17105-3608	
	VOLTAGE RATING: N/A	DIMENSIONS: MM [ INCHES ]	CHK RD HEIM 8/15/91	APVD AJ KAUFMAN 8/16/91	NAME TERMINAL, RING TONGUE, SOLISTRAND, WIRE SIZE: 50.0mm2 [1/0] AWG
CIRCULAR MIL AREA: 42.4-60.6mm² [83,700-119,500] SOLID OR STRANDED	TOLERANCES UNLESS OTHERWISE SPECIFIED: 0 PLC ± - 1 PLC ± - 2 PLC ± 0.20[.008] 3 PLC ± - 4 PLC ± - ANGLES ± -	MATERIAL SEE TABLE	FINISH SEE TABLE	APPLICATION SPEC	RESTRICTED TO
				SIZE A3	CAGE CODE 00779
				DRAWING NO C-36916	REV J2
				CUSTOMER DRAWING	SCALE 2:1 SHEET 1 OF 1