

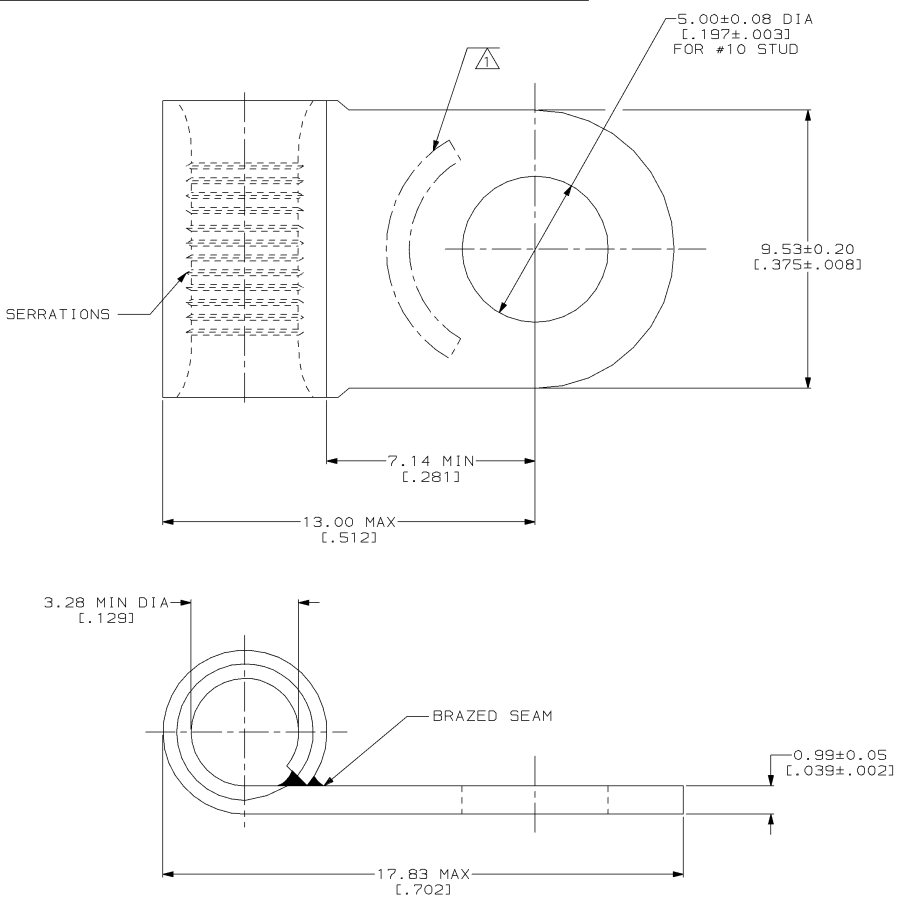
4 3 2 1
 DRAWING MADE IN THIRD ANGLE PROJECTION
 THIS DRAWING IS UNPUBLISHED. RELEASED FOR PUBLICATION
 © COPYRIGHT 19 BY AMP INCORPORATED. ALL INTERNATIONAL RIGHTS RESERVED.

LOC	DIST	P	F	ZONE	LTR	REVISIONS	DATE	APPD
G	14					E REV, RDRW, & SM PKG PER 0720-0008-93	4-5-93	APPD

METRIC
 DIMENSIONS LISTED IN mm [INCHES]

AMP WIRE RANGE	UL E13288 Listed
12-10 AWG SOLID OR STRANDED	12-10 AWG STRANDED
UL LR7189 Certified	MILITARY P/N AND CLASS
12-10 AWG SOLID OR STRANDED	NOT APPLICABLE

- ▲ STAMP AMP 12-10* APPROX AS SHOWN
- ▲ MEETS EQUIVALENT REQUIREMENTS OF ASTM B-152
- ▲ MEETS EQUIVALENT REQUIREMENTS OF MIL-T-10727



50	LOOSE PIECE, BOX	8-36271-2
----	LOOSE PIECE	36271
QUANTITY	PACKAGE TYPE	PART NO

AMP INCORPORATED
CUSTOMER SERVICE SYSTEMS

FOR ADDITIONAL PRODUCT INFORMATION OR COPIES OF DRAWINGS AND TECHNICAL DOCUMENTS	PRODUCT INFORMATION CENTER 1-800-522-6752
FOR APPLICATION TOOLING INFORMATION	TOOLING ASSISTANCE CENTER 1-800-722-1111
FOR ORDER ENTRY	1-800-526-5142

MAX RECOMMENDED OPERATING TEMPERATURE:
170°C MAX

VOLTAGE RATING:
NOT APPLICABLE

WIRE CROSS SECTIONAL AREA RANGE:
2.62-6.64mm² [5, 180-13, 100] CIR MILS
SOLID OR STRANDED

THIS DRAWING IS A CONTROLLED DOCUMENT FOR AMP INCORPORATED. IT IS SUBJECT TO CHANGE AND THE CONTROLLING ENGINEERING ORGANIZATION SHOULD BE CONTACTED FOR THE LATEST REVISION.

DO NOT SCALE PRINT.
 UNLESS SPECIFIED DIMENSIONS IN INCHES
 TOLERANCES ON:
 2 PLC DEC ± -
 3 PLC DEC ± -
 ANGLES ± -

MATERIAL
 COPPER PER AMP SPEC 100-2
 ▲ ANNEALED

FINISH
 T1N PLATE ▲
 0.00254 [.000100] MIN
 THK PER AMP SPEC 112-16

DR 4-5-93
TA BRINKMAN

CHK 4-5-93
DA PATTERSON

APPD 4-5-93
DE MILLER

APPD 4-5-93
JL MECKLEY

APPLICATION SPEC

WEIGHT

AMP AMP Incorporated
 Harrisburg, PA 17105-3608

NAME
TERMINAL, RING TONGUE, FLAG, SOLISTRAND™

SIZE
 CAGE CODE 00779
 DRAWING NO C-36271

SCALE 10:1 SHEET 1 OF 1