

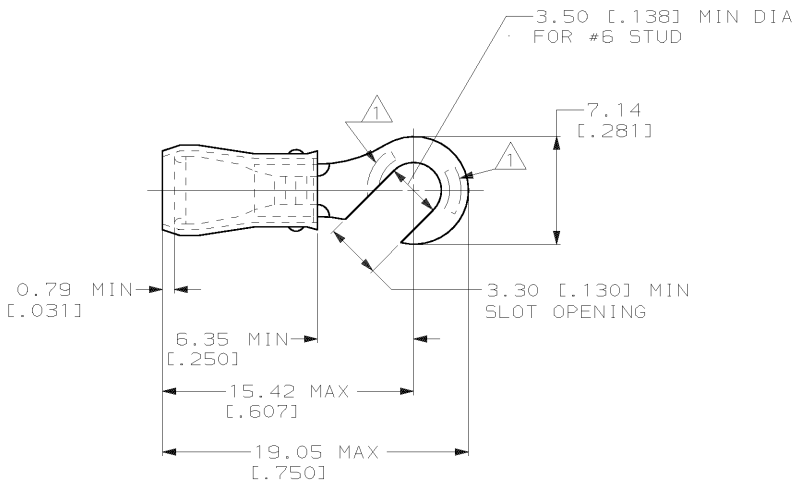
DRAWING MADE IN THIRD ANGLE PROJECTION

THIS DRAWING IS UNPUBLISHED. RELEASED FOR PUBLICATION, 19 .

© COPYRIGHT 19 BY AMP INCORPORATED. ALL INTERNATIONAL RIGHTS RESERVED.

LOC	DIST	P	F	ZONE	LTR	DESCRIPTION	DATE	APPD
G	14				J	REV PER 063A-0589-01	180CT01	TH

AMP WIRE RANGE	Listed	LR7189 Certified
22-16 AWG SOLID OR STRANDED	22-16 AWG SOLID OR STRANDED	22-16 AWG SOLID OR STRANDED



- 1 STAMP AMP 22-18* 1-2 APPROX AS SHOWN
22-16 TERMINALS ARE STAMPED 22-18 IN
ACCORDANCE WITH MILITARY SPEC MIL-T-7928
COMMERCIAL WIRE RANGE IS 22-16
- 2 WIRE INSULATION DIA: 2.67-3.56 [.105-.140]
- 3 TONGUE MATERIAL THK: 0.79^{+0.05} [.031^{+0.002}]
- 4 PRELIMINARY - NOT FOR PRODUCTION

	5000	ON TAPE / REEL	2-34313-1
	100	LOOSE PIECE, BOX	8-34313-1
	1000	LOOSE PIECE	34313
MILITARY P/N AND CLASS	QUANTITY	PACKAGE TYPE	PART NO
DO NOT SCALE PRINT. UNLESS SPECIFIED DIMENSIONS IN mm [INCHES] TOLERANCES ON: 1. PLC DEC ± 0.20(-.008) 2. PLC DEC ± - ANGLES ± -	DR 3/21/94 L. Q. MEDA CHK 3/21/94 R. HERSEY APPD 3/21/94 M. ELLIS S. BORTNER	AMP AMP Incorporated Harrisburg, PA 17105-3608	
MATERIAL COPPER PER ASTM B-152 NYLON, COLOR: RED	PRODUCT SPEC 108-1034	NAME TERMINAL, HOOK, PIDG™ WIRE SIZE: 22-16 AWG	
FINISH TIN PLATE PER ASTM B 545	APPLICATION SPEC NOT AVAILABLE	SIZE B	CAGE CODE 00779
	WEIGHT -	DRAWING NO C=34313	SHEET 1 OF 1
		SCALE 4:1	

**AMP INCORPORATED
CUSTOMER SERVICE SYSTEMS**

FOR ADDITIONAL PRODUCT INFORMATION OR COPIES OF DRAWINGS AND TECHNICAL DOCUMENTS	PRODUCT INFORMATION CENTER 1-800-522-6752
FOR APPLICATION TOOLING INFORMATION	TOOLING ASSISTANCE CENTER 1-800-722-1111
FOR ORDER ENTRY	1-800-526-5142

MAX RECOMMENDED OPERATING TEMPERATURE: 105°C MAX
VOLTAGE RATING: 300 V MAX
WIRE CROSS SECTIONAL AREA RANGE: 0.26-1.65mm ² (509-3,260) CIR MILS SOLID OR STRANDED
THIS DRAWING IS A CONTROLLED DOCUMENT FOR AMP INCORPORATED. IT IS SUBJECT TO CHANGE AND THE CONTROLLING ENGINEERING ORGANIZATION SHOULD BE CONTACTED FOR THE LATEST REVISION.

AMP 1470-15 REV 3-92 07-APR-99 08:04:20 amp10398 /home/ssrv027a/dsk01/dept1132/amp10398/edmm0d

CUSTOMER DRAWING