

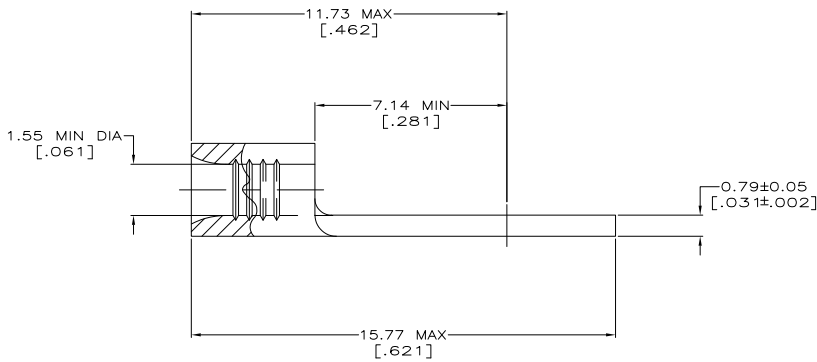
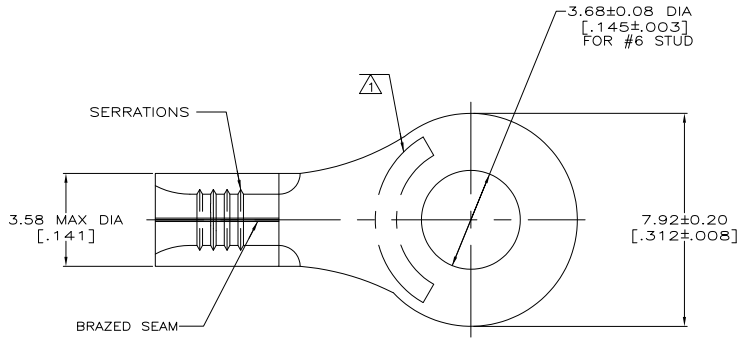
THIS DRAWING IS UNPUBLISHED. RELEASED FOR PUBLICATION. ALL RIGHTS RESERVED.

LOC	QTY	REV	DESCRIPTION	DAP	DATE	OWN	APPD
G	14	F1	REVISED PER ECO-11-005027		11MAR11	RK	HMR

**METRIC**  
DIMENSIONS LISTED IN mm [ INCHES ]

<b>AMP</b> WIRE RANGE	E13288 Listed
22-16 AWG SOLID OR STRANDED	22-16 AWG SOLID OR STRANDED
LR7189 Certified	MILITARY P/N AND CLASS
22-16 AWG SOLID OR STRANDED	M7928/7-3 CLASS 2 P/N 34110 & 2-34110-3 ONLY

△ STAMP AMP 22-18\* APPROX AS SHOWN  
22-16 TERMINALS ARE STAMPED 22-18 IN  
ACCORDANCE WITH MILITARY SPECIFICATION  
MIL-T-7928; COMMERCIAL WIRE RANGE IS 22-16



<b>AMP INCORPORATED CUSTOMER SERVICE SYSTEMS</b>		MAX RECOMMENDED OPERATING TEMPERATURE: 170° C MAX
FOR ADDITIONAL PRODUCT INFORMATION OR COPIES OF DRAWINGS AND TECHNICAL DOCUMENTS	PRODUCT INFORMATION CENTER 1-800-522-6752	VOLTAGE RATING: NOT APPLICABLE
FOR APPLICATION TOOLING INFORMATION	TOOLING ASSISTANCE CENTER 1-800-722-1111	WIRE CROSS SECTIONAL AREA RANGE: 0.26-1.65mm <sup>2</sup> [509-3,260] CIR MILS SOLID OR STRANDED
FOR ORDER ENTRY	1-800-526-5142	THIS DRAWING IS A CONTROLLED DOCUMENT FOR AMP INCORPORATED. IT IS SUBJECT TO CHANGE AND THE CONTROLLING ENGINEERING ORGANIZATION SHOULD BE CONTACTED FOR THE LATEST REVISION.

100	LOOSE PIECE, BOX	8-34110-1
5000	ON TAPE	2-34110-3
---	LOOSE PIECE	34110
QUANTITY	PACKAGE TYPE	PART NO

THIS DRAWING IS A CONTROLLED DOCUMENT.		BY TA BRINKMAN 3-10-93	TE Connectivity
DIMENSIONS: mm[INCHES]		CHK DA PATTERSON 3-10-93	
TOLERANCES UNLESS OTHERWISE SPECIFIED:		APP'D DE MILLER 3-10-93	NAME
DIMENSIONS: mm[INCHES]		PRODUCT SPEC	TERMINAL, RING TONGUE, SOLISTRAND™
MATERIAL		APPLICATION SPEC	SIZE
COPPER PER ASTM B-152		WEIGHT	CAGE CODE
FINISH		ANNEAL	DRAWING NO
TIN PLATE 0.0025[.000100] MIN TOP PER. 94-1-10727		CUSTOMER DRAWING	SCALE
			SHEET
			1 of 1
			REV F1

141-9 (5/11)

34110