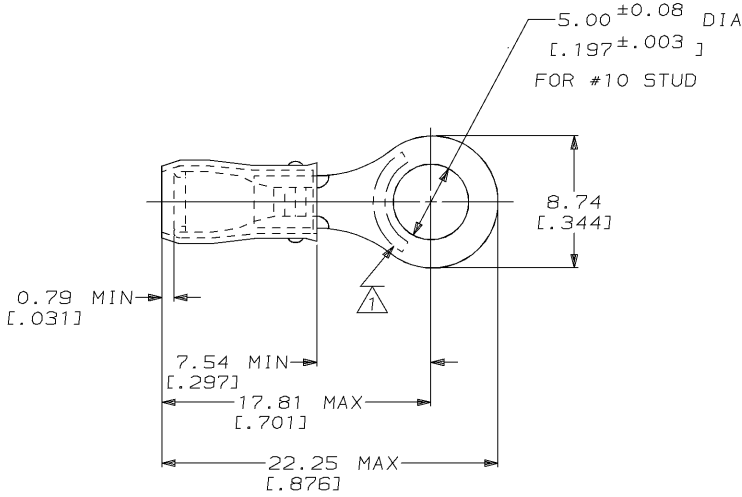


DRAWING MADE IN THIRD ANGLE PROJECTION

THIS DRAWING IS UNPUBLISHED. RELEASED FOR PUBLICATION, 19 .
 © COPYRIGHT 19 BY AMP INCORPORATED. ALL INTERNATIONAL RIGHTS RESERVED.

LOC	DIST	P	F	ZONE	LTR	DESCRIPTION	DATE	APPD
G	14				H	REV / 0L20-0025-97	27JAN97	TM

AMP WIRE RANGE	UL Listed	LR7189 Certified
22-16 AWG SOLID OR STRANDED	22-16 AWG SOLID OR STRANDED	22-16 AWG SOLID OR STRANDED



- 1 STAMP AMP 22-18* APPROX AS SHOWN
22-16 TERMINALS ARE STAMPED 22-18 IN
ACCORDANCE WITH MILITARY SPEC MIL-T-7928
COMMERCIAL WIRE RANGE IS 22-16
- 2 WIRE INSULATION DIA: .080 - .125
- 3 TONGUE MATERIAL THK: 0.79^{+0.05} [0.031 ± .002]

AMP INCORPORATED CUSTOMER SERVICE SYSTEMS		MAX RECOMMENDED OPERATING TEMPERATURE: 105°C MAX	MILITARY P/N AND CLASS	100	LOOSE PIECE, BOX	8-32836-1
FOR ADDITIONAL PRODUCT INFORMATION OR COPIES OF DRAWINGS AND TECHNICAL DOCUMENTS	PRODUCT INFORMATION CENTER 1-800-522-6752	VOLTAGE RATING: 300 V MAX	QUANTITY	-	LOOSE PIECE	32836
FOR APPLICATION	TOOLING ASSISTANCE CENTER 1-800-722-1111	WIRE CROSS SECTIONAL AREA RANGE: 0.26-1.65mm ² [509-3,260] CIR MILS SOLID OR STRANDED	NAME	AMP Incorporated Harrisburg, PA 17105-3608		
FOR ORDER ENTRY	1-800-526-5142	THIS DRAWING IS A CONTROLLED DOCUMENT FOR AMP INCORPORATED. IT IS SUBJECT TO CHANGE AND THE CONTROLLING ENGINEERING ORGANIZATION SHOULD BE CONTACTED FOR THE LATEST REVISION.	MATERIAL	TERMINAL, RING TONGUE, PIDG™, WIRE SIZE, 22-16 AWG		
AMP 1470-15 REV 3-92 27 JAN 1997 15:44:34 AMP10398 <U128A>DEPT1132>U.DWG1132>U.RBY>U.PIDG>U.CUST		FINISH TIN PLATE PER MIL-T-10727	DR 02/11/93 DK SCORUM CHK 4/28/93 RE HERSEY APPD 4/28/93 ML ELLIS APPD 4/28/93 M BARNABA PRODUCT SPEC UL 486A	SIZE	CAGE CODE	DRAWING NO
			APPLICATION SPEC NOT AVAILABLE	B	00779	C=32836
			WEIGHT -	SCALE	4:1	SHEET 1 OF 1

CUSTOMER DRAWING