

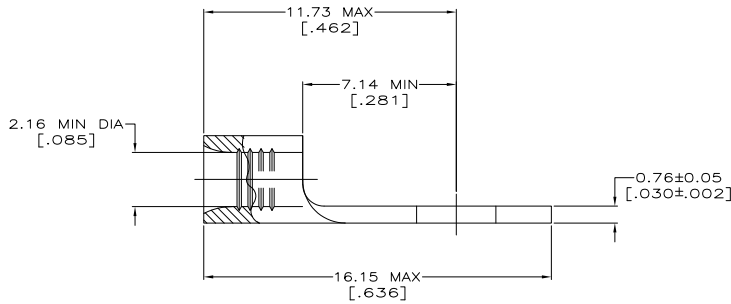
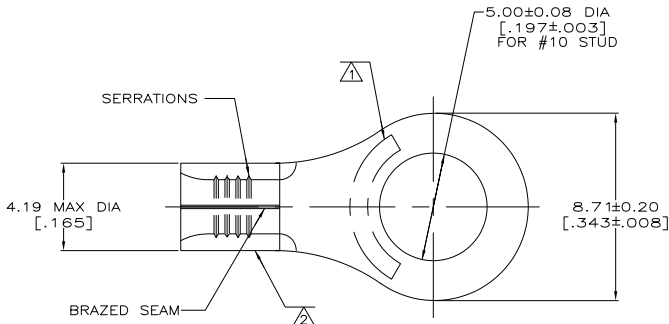
THE DRAWING IS UNPUBLISHED. RELEASED FOR PUBLICATION. ALL RIGHTS RESERVED.

LOC	QTY	REV	DESCRIPTION	DATE	BY	APP
G	14	F1	REVISED PER ECO-11-004917	11MAR11	RK	HMR

METRIC
DIMENSIONS LISTED IN mm [INCHES]

AMP WIRE RANGE 16-14 AWG SOLID OR STRANDED	E13288 Listed NOT APPLICABLE
LR7189 Certified NOT APPLICABLE	MILITARY P/N AND CLASS NOT APPLICABLE

- △ STAMP AMP 16-14 APPROX AS SHOWN
- △ WIRE BARREL COLOR CODED ORANGE TO DENOTE NICKEL MATERIAL



AMP INCORPORATED CUSTOMER SERVICE SYSTEMS		MAX RECOMMENDED OPERATING TEMPERATURE: 649° C MAX
FOR ADDITIONAL PRODUCT INFORMATION OR COPIES OF DRAWINGS AND TECHNICAL DOCUMENTS	PRODUCT INFORMATION CENTER 1-800-522-6752	VOLTAGE RATING: NOT APPLICABLE
FOR APPLICATION TOOLING INFORMATION	TOOLING ASSISTANCE CENTER 1-800-722-1111	WIRE CROSS SECTIONAL AREA RANGE: 1.04-2.62mm ² [2,050-5,180] CIR MILS SOLID OR STRANDED
FOR ORDER ENTRY	1-800-526-5142	THIS DRAWING IS A CONTROLLED DOCUMENT FOR AMP INCORPORATED. IT IS SUBJECT TO CHANGE AND THE CONTROLLING ENGINEERING ORGANIZATION SHOULD BE CONTACTED FOR THE LATEST REVISION.

100	LOOSE PIECE, BOX SPECIAL (NO WINDOW)	8-322335-5
100	LOOSE PIECE, BOX	8-322335-1
5000	ON TAPE	2-322335-5
----	LOOSE PIECE	322335
QUANTITY	PACKAGING TYPE	PART NO

THIS DRAWING IS A CONTROLLED DOCUMENT.		BY TA BRINKMAN 4-15-93	TE TE Connectivity	
DRAWN DA PATTERSON 4-15-93		CHK DE MILLER 4-15-93	TERMINAL, RING TONGUE, HIGH TEMPERATURE, STRATO-THERM™	
DIMENSIONS MM(INCHES)		PRODUCT SPEC	SIZE	CAGE CODE
TO DIMENSIONS UNLESS OTHERWISE SPECIFIED:		APPLICATION SPEC	A2	00779
MATERIAL NICKEL PER ASTM B-162 ANNEALED		FINISH	DRAWING NO	322335
		WEIGHT	CUSTOMER DRAWING	SCALE 3:1
				SHEET 1 of 1
				REV F1

1471-9 (3/11)

322335

A