

4

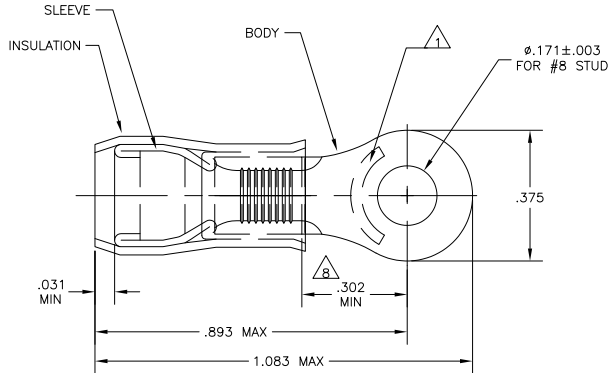
3

2

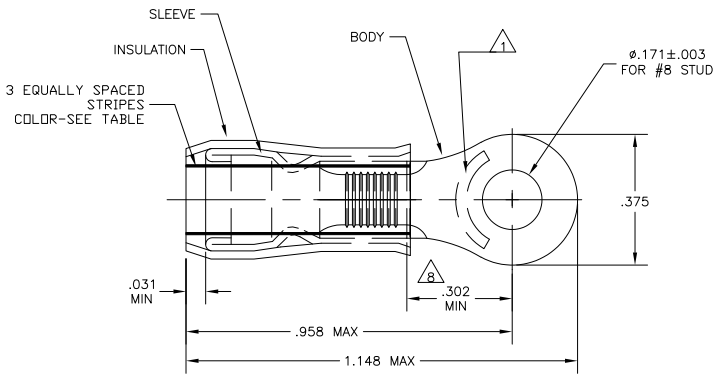
1

THIS DRAWING IS UNPUBLISHED. RELEASED FOR PUBLICATION. ALL RIGHTS RESERVED.

| LOC | DIST | REV | DESCRIPTION | DATE | BY | APP'D |
|-----|------|-----|---------------------------|---------|----|-------|
| G | 14 | P | LTR | | | |
| | | T7 | REVISED PER ECO-12-002693 | 13FEB12 | KH | DR |



STYLE A



STYLE B
INSULATION RESTRICTING

- 1 STAMP "AMP - SEE TABLE" APPROX AS SHOWN
- 2 WIRE INSULATION DIA: SEE TABLE
- 3 TONGUE MATERIAL THK: .040±.002
- 4 BODY: TIN PLATE .000100 MIN EXT THK PER ASTM B545
- 5 SLEEVE: TIN PLATE .000100 MIN EXT THK PER ASTM B545
- 6 SLEEVE: NICKEL PLATE PER QQ-N-290
- 7 BODY & SLEEVE- CU PER ASTM B152 INSULATION - NYLON PER ASTM D4066 COLOR - YELLOW
- 8 APPLIES FROM EDGE OF METAL WIRE BARREL TO CENTER OF STUD HOLE.
- 9 MEETS MS25036-156, CLASS 1 & 2
- 10 MEETS MS25036-156, CLASS 2
- 11 MEETS M7928/1-57, CLASS 1 & 2
- 12 MEETS M7928/1-64, CLASS 1 & 2
- 13 SUPERSEDED BY 2-320568-3

| QTY | PACKAGE TYPE | STAMPING | WIRE DIA | INSUL SIZE | WIRE COLOR | STRIPES | STYLE | BODY FINISH | SLEEVE FINISH | PART NO |
|------|------------------|----------|-----------|------------|------------|---------|-------|-------------|---------------|------------|
| 50 | LOOSE-PIECE-BOX | 10 | .115-.200 | 10 | BROWN | B | | | | 9-320568-2 |
| 50 | LOOSE PIECE, BOX | 12 | .095-.200 | 12 | YELLOW | B | | | | 8-320568-2 |
| 50 | LOOSE PIECE, BOX | 12-10 | .150-.230 | 12-10 | -- | A | | | | 7-320568-2 |
| 500 | ON TAPE, LG. BOX | 12-10 | .150-.230 | 12-10 | -- | A | | | | 2-320568-6 |
| --- | LOOSE PIECE | 10 | .119-.200 | 10 | BROWN | B | | | | 2-320568-3 |
| --- | LOOSE PIECE | 12 | .095-.200 | 12 | YELLOW | B | | | | 2-320568-2 |
| 2500 | ON TAPE & REEL | 12-10 | .150-.230 | 12-10 | -- | A | | | | 2-320568-1 |
| --- | LOOSE PIECE | 12-10 | .150-.230 | 12-10 | -- | A | | | | 320568 |

| CUSTOMER SERVICE SYSTEMS | |
|--|--|
| FOR ADDITIONAL PRODUCT INFORMATION OR COPIES OF DRAWINGS AND TECHNICAL DOCUMENTS | PRODUCT INFORMATION CENTER 1-800-522-6752 |
| FOR APPLICATION TOOLING INFORMATION | TOOLING ASSISTANCE CENTER 1-800-722-1111 |
| FOR ORDER ENTRY | 1-800-526-5142 |

| | | | | | |
|--|---------------------------------|---|--|--|--|
| MAX RECOMMENDED OPERATING TEMPERATURE: 105°C MAX | VOLTAGE RATING: 300 VOLT MAX | CIRCULAR MIL AREA: 2.62-6.64mm ² (5,180-13,100) STRANDED OR SOLID | THIS DRAWING IS A CONTROLLED DOCUMENT. | DR: J.R. RUTH 1700209 CHK: T. MICHELJUTTI 1700209 APP'D: T. MICHELJUTTI 1700209 | TE Connectivity |
| DIMENSIONS: INCHES | | TOLERANCES UNLESS OTHERWISE SPECIFIED: 0 PLG ± .005 1 PLG ± .005 2 PLG ± .008 3 PLG ± .008 4 PLG ± .008 5 PLG ± .008 6 PLG ± .008 7 PLG ± .008 8 PLG ± .008 9 PLG ± .008 10 PLG ± .008 | MATERIAL: - | FINISH: - | TERMINAL, RING TONGUE, PIDG WIRE SIZE: 12-10 AWG |
| <small>THIS DRAWING IS A CONTROLLED DOCUMENT FOR AMP PRODUCTS. IT IS SUBJECT TO CHANGE AND THE CONTROLLING ENGINEERING ORGANIZATION SHOULD BE CONTACTED FOR THE LATEST REVISION.</small> | | | SIZE: A2 CASE CODE: 00779 DRAWING NO: C-320568 RESTRICTED TO: - | | CUSTOMER DRAWING SCALE: 5:1 SHEET: 1 of 1 REV: T7 |