

4

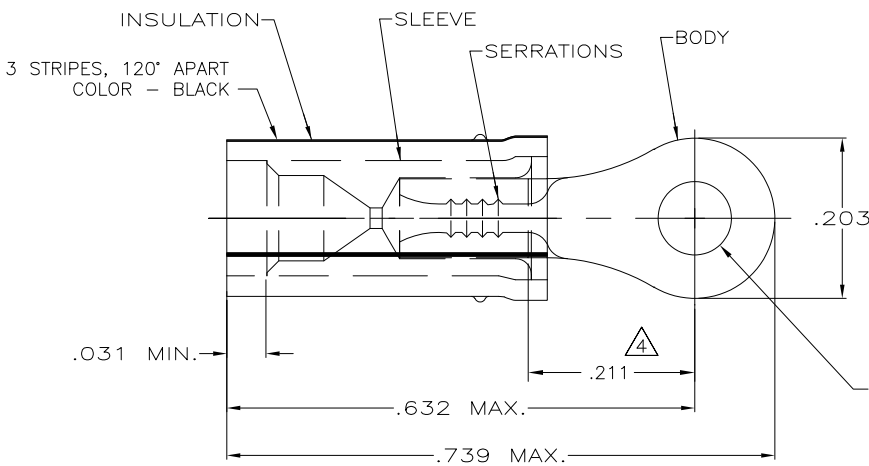
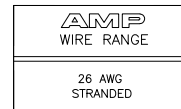
3

2

1

THIS DRAWING IS UNPUBLISHED. RELEASED FOR PUBLICATION
 © COPYRIGHT - BY TYCO ELECTRONICS CORPORATION. ALL INTERNATIONAL RIGHTS RESERVED.

LOC	DIST	REVISIONS			
P	LTR	DESCRIPTION	DATE	DWN	APVD
G	14	F	REV PER ECR 08-027659	31OCT08	JR TM



1. TONGUE MATERIAL THK: $.027 \pm .001$
2. FOR $.026$ TO $.055$ WIRE INS. OD.
3. MUST BE CRIMPED WITH 22-18 OR 22-16 PIDG (RED) TOOL.
4. APPLIED FROM EDGE OF METAL WIRE BARREL TO CENTER OF STUD HOLE.
5. BODY & SLEEVE: CU PER ASTM B152 INSULATION: NYLON, COLOR - YELLOW
6. BODY; TIN PLATE PER ASTM B545 SLEEVE: NI PLATE PER QQ-N-290

M792B/1-1 CLASS 1 & 2	1	WIRE TERMINAL	53078
MILITARY P/N AND CLASS	QTY	PACKAGE TYPE	PART NO

AMP INCORPORATED CUSTOMER SERVICE SYSTEMS		MAX RECOMMENDED OPERATING TEMPERATURE: 105°C [221°F]	THIS DRAWING IS A CONTROLLED DOCUMENT.		DWN JR RUTH 28OCT08	Tyco Electronics Corporation Harrisburg, PA 17105-3608
FOR ADDITIONAL PRODUCT INFORMATION OR COPIES OF DRAWINGS AND TECHNICAL DOCUMENTS	PRODUCT INFORMATION CENTER 1-800-522-6752	VOLTAGE RATING: 300V MAX	DIMENSIONS: INCHES MILL:	TOLERANCES UNLESS OTHERWISE SPECIFIED:	CHK TOM MICHIELUTTI 28OCT08	
FOR APPLICATION	TOOLING ASSISTANCE CENTER 1-800-722-1111	CIRCULAR MIL AREA: 0.12-0.15mm ² [238-304] STRANDED		0 PLC ± - 1 PLC ± - 2 PLC ± .008 3 PLC ± - 4 PLC ± - ANGLES ± -	APVD TOM MICHIELUTTI 28OCT08	NAME TERMINAL, PIDG, RING TONGUE, INSULATION RESTRICTING WIRE SIZE: 26
TOOLING INFORMATION	1-800-722-1111	THIS DRAWING IS A CONTROLLED DOCUMENT FOR AMP INCORPORATED. IT IS SUBJECT TO CHANGE AND THE CONTROLLING ENGINEERING ORGANIZATION SHOULD BE CONTACTED FOR THE LATEST REVISION.	MATERIAL	FINISH	PRODUCT SPEC	SIZE A3
FOR ORDER ENTRY	1-800-526-5142				APPLICATION SPEC	CAGE CODE 00779
					WEIGHT	DRAWING NO 53078
					CUSTOMER DRAWING	RESTRICTED TO
						SCALE 8:1
						SHEET 1 OF 1
						REV F

1470-19 (1/08)