

4

3

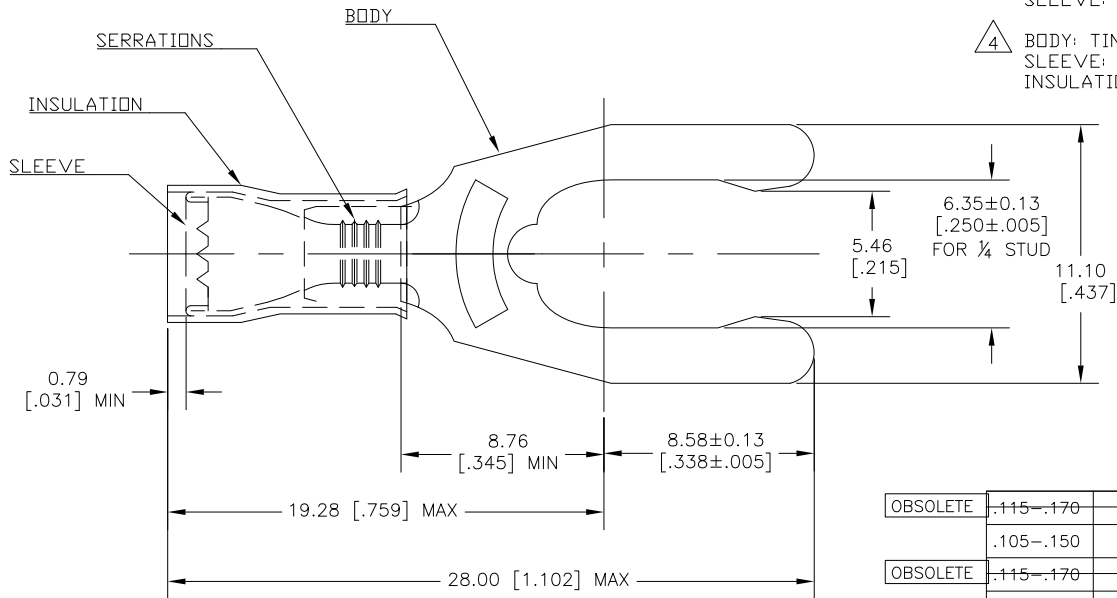
2

1

THIS DRAWING IS UNPUBLISHED. RELEASED FOR PUBLICATION  
 © COPYRIGHT - BY TYCO ELECTRONICS CORPORATION. ALL RIGHTS RESERVED.

LOC	DIST	REVISIONS				
P	LTR	DESCRIPTION	DATE	DWN	APVD	
G	14					
	K1	REDRAWN PER ECR 10-010105	28JUN10	JR	TM	

- 1 WIRE INSULATION DIA, SEE TABLE "A"
- 2 TONGUE MATL THK, 0.789±0.05 [.031±.002].
- 3 BODY: PHOS BRONZE PER ASTM B103  
INSULATION: NYLON  
SLEEVE: COPPER PER ASTM B152
- 4 BODY: TIN PLATE PER ASTM B545  
SLEEVE: TIN PLATE PER ASTM B545  
INSULATION: COLOR-BLUE



OBSOLETE	.115-.170	--	ON TAPE	52423-3
	.105-.150	--	ON TAPE	52423-2
OBSOLETE	.115-.170	--	LOOSE PIECE	52423-1
	.105-.150	--	LOOSE PIECE	52423
	DIM "A"	QTY	PACKAGE TYPE	PART NO

THIS DRAWING IS A CONTROLLED DOCUMENT.		DWN		28JUN10		Tyco Electronics		Tyco Electronics Corporation	
DIMENSIONS:		CHK		28JUN10		Harrisburg, PA 17105-3608			
MM [ INCHES ]		TOM MICHELUTTI		APVD		NAME		TERMINAL, PIDG, SPRING SPADE,	
TOLENCES UNLESS OTHERWISE SPECIFIED:		TOM MICHELUTTI		28JUN10		SIZE		WIRE SIZE: 16-14	
0 PLC ± -		PRODUCT SPEC		APPLICATION SPEC		CAGE CODE		DRAWING NO	
1 PLC ± -		WEIGHT		RESTRICTED TO		A3		00779	
2 PLC ± 0.2 [.008]		CUSTOMER DRAWING		SCALE		6:1		SHEET	
3 PLC ± -								1 OF 1	
4 PLC ± -								REV	
ANGLES ± 5°								K1	
MATERIAL									
FINISH									

AMP 1470-19 REV 31MAR2000