

4

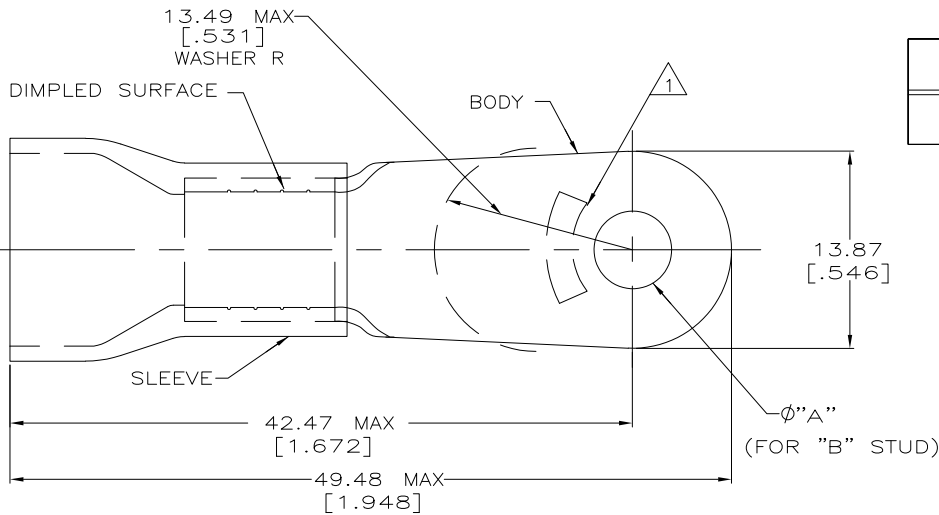
3

2

1

THIS DRAWING IS UNPUBLISHED. RELEASED FOR PUBLICATION  
 © COPYRIGHT - BY TYCO ELECTRONICS CORPORATION. ALL INTERNATIONAL RIGHTS RESERVED.

LOC	DIST	REVISIONS				
P	LTR	DESCRIPTION	DATE	DWN	APVD	
G	14	L1	REVISED PER ECO-11-002228	11FEB11	HMR	DR



<b>AMP</b> WIRE RANGE	FILE E13288	LR7189 Certified
4 AWG STRANDED	4 AWG STRANDED	4 AWG STRANDED

- 1 STAMP AMP 4\* LOCATE APPROX AS SHOWN
- 2 TONGUE MATERIAL THK 1.22±0.08[.048±.003]
- 3 SEE TABLE FOR WIRE INSULATION DIA MAX
- 4 TAPE ITEMS ARE ON 30.48 [1.200] CENTERS
- 5 NOTE DELETED
- 6 OBSOLETE

WIRE INSULATION DIA	"B"	"A"	QTY	PACKAGE TYPE	PART NO
11.43 [.450]	1/4	6.73±0.13 [.265±.005]	20	LOOSE PC, BOX SPL	8-52043-5
			50	LOOSE PC, BOX	8-52043-2
13.08 [.515]	#10	5.00±0.08 [.197±.003]	500	ON TAPE	52043-7
					52043-5
					52043-4
11.43 [.450]	1/4	6.73±0.13 [.265±.005]	100	LOOSE PC	52043-3
					52043-2
					52043-1
13.08 [.515]	1/4	6.73±0.13 [.265±.005]			52043

AMP INCORPORATED CUSTOMER SERVICE SYSTEMS		MAX RECOMMENDED OPERATING TEMPERATURE: 105° C
FOR ADDITIONAL PRODUCT INFORMATION OR COPIES OF TECHNICAL DRAWINGS AND TECHNICAL DOCUMENTS	PRODUCT INFORMATION CENTER 1-800-522-6752	VOLTAGE RATING: 600 V MAX
FOR APPLICATION TOOLING INFORMATION	TOOLING ASSISTANCE CENTER 1-800-722-1111	CIRCULAR MIL AREA: 16.77-26.65mm <sup>2</sup> [33,100-52,600] STRANDED
FOR ORDER ENTRY	1-800-526-5142	THIS DRAWING IS A CONTROLLED DOCUMENT FOR AMP INCORPORATED. IT IS SUBJECT TO CHANGE AND THE CONTROLLING ENGINEERING ORGANIZATION SHOULD BE CONTACTED FOR THE LATEST REVISION.

THIS DRAWING IS A CONTROLLED DOCUMENT.	
DIMENSIONS: mm [INCHES]	TOLERANCES UNLESS OTHERWISE SPECIFIED:
	0 PLC ± -
	1 PLC ± -
	2 PLC ±0.20[.008]
	3 PLC ± -
	4 PLC ± -
	ANGLES ± -
MATERIAL COPPER PER ASTM B-152 PVC, COLOR: YELLOW	FINISH TIN PLATE PER ASTM-B545

DWN S.S. GOULDEN 9-28-93	Tyco Electronics Corporation Harrisburg, PA 17105-3608	
CHK R. HERSEY 9-28-93	NAME TERMINAL, RING TONGUE, PLASTI-GRIP™, WIRE SIZE: 4 AWG	
APVD B. BARE 9-28-93	PRODUCT SPEC NOT AVAILABLE	RESTRICTED TO
APPLICATION SPEC 114-2161	SIZE A3	CAGE CODE 00779
WEIGHT -	DRAWING NO C-52043	SCALE 4:1
CUSTOMER DRAWING	SHEET 1 OF 1	REV L1