

4

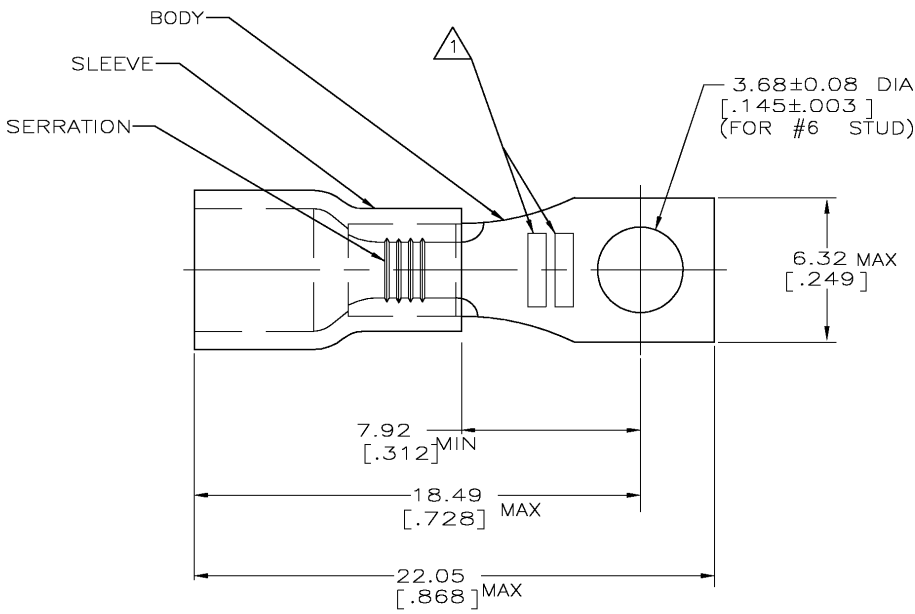
3

2

1

THIS DRAWING IS UNPUBLISHED. RELEASED FOR PUBLICATION
 © COPYRIGHT - BY TYCO ELECTRONICS CORPORATION. ALL RIGHTS RESERVED.

LOC	DIST	REVISIONS				
P	LTR	DESCRIPTION	DATE	DWN	APVD	
G	14	H	REV PER OG3A-0654-04	19AUG04	JR	TM



AMP WIRE RANGE	Listed FILE E13288	LR7189 Certified
16-14 AWG SOLID OR STRANDED	16-14 AWG SOLID OR STRANDED	16-14 AWG SOLID OR STRANDED

- △ STAMP AMP 16-14* APPROX AS SHOWN
- 2. WIRE INSUL DIA, 2.67-3.68 [.105-.145]
- 3. TONGUE MATL THK, 0.79±0.05 [.031±.002]
- △ 4 BODY: COPPER PER ASTM B-152
INSULATION: PVC, COLOR - BLUE
- △ 5 FINISH: BODY - TIN PLATE PER
ASTM B-545

-	-	-
1000	LOOSE PIECE	34898
QTY	PACKAGE TYPE	PART NO

AMP INCORPORATED CUSTOMER SERVICE SYSTEMS		MAX RECOMMENDED OPERATING TEMPERATURE: 105° [221°F]	THIS DRAWING IS A CONTROLLED DOCUMENT.		DWN L OLMEDA OSSEP95	Tyco Electronics Corporation Harrisburg, PA 17105
FOR ADDITIONAL PRODUCT INFORMATION OR COPIES OF DRAWINGS AND TECHNICAL DOCUMENTS	PRODUCT INFORMATION CENTER 1-800-522-6752	VOLTAGE RATING: N/A	DIMENSIONS: MM	TOLERANCES UNLESS OTHERWISE SPECIFIED: 0 PLC ± - 1 PLC ± - 2 PLC ± 0.20 [.008] 3 PLC ± - 4 PLC ± - ANGLES ± -	CHK M ELLIS OSSEP95	
FOR APPLICATION	TOOLING ASSISTANCE CENTER 1-800-722-1111	CIRCULAR MIL AREA: 1.04-2.62mm² [2,050-5,180] SOLID OR STRANDED	MATERIAL	FINISH	APVD G NGO OSSEP95	SIZE CAGE CODE DRAWING NO A3 00779 C-34898
FOR ORDER ENTRY	1-800-526-5142	THIS DRAWING IS A CONTROLLED DOCUMENT FOR AMP INCORPORATED. IT IS SUBJECT TO CHANGE AND THE CONTROLLING ENGINEERING ORGANIZATION SHOULD BE CONTACTED FOR THE LATEST REVISION.		△ 4	△ 5	RESTRICTED TO
AMP 1470-19 REV 31MAR2000				CUSTOMER DRAWING		SCALE 6:1 SHEET 1 OF 1 REV H