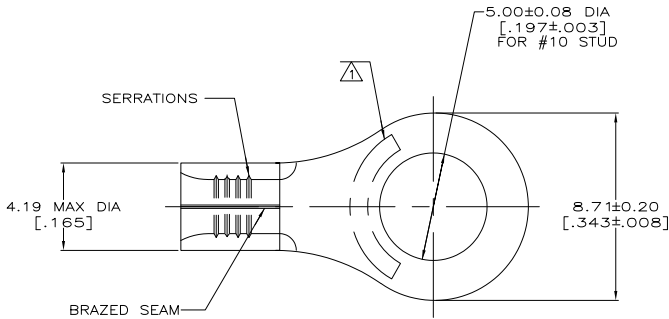


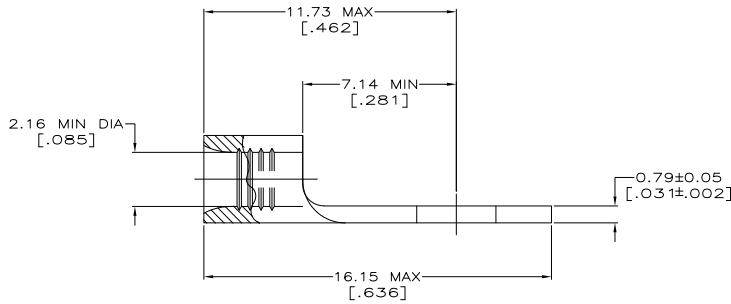
THE DRAWING IS UNPUBLISHED. RELEASED FOR PUBLICATION. ALL RIGHTS RESERVED.

LOC	REV	DATE	DESCRIPTION	MS	DATE	BY	APPD
G	14						
	G1		REVISED PER ECO-11-004820		11MAR11	RK	HMR



AMP WIRE RANGE	E13288 Listed
16-14 AWG SOLID OR STRANDED	16-14 AWG SOLID OR STRANDED
LR7189 Certified	MILITARY P/N AND CLASS
16-14 AWG SOLID OR STRANDED	NOT APPLICABLE

- △ STAMP AMP 16-14* APPROX AS SHOWN
- △ 0.00254 [.000100] MIN TIN PER ASTM B-545.
- △ CLEANED, UNPLATED



AMP INCORPORATED CUSTOMER SERVICE SYSTEMS		MAX RECOMMENDED OPERATING TEMPERATURE: 170° C MAX
FOR ADDITIONAL PRODUCT INFORMATION OR COPIES OF DRAWINGS AND TECHNICAL DOCUMENTS	PRODUCT INFORMATION CENTER 1-800-522-6752	VOLTAGE RATING: NOT APPLICABLE
FOR APPLICATION TOOLING INFORMATION	TOOLING ASSISTANCE CENTER 1-800-722-1111	WIRE CROSS SECTIONAL AREA RANGE: 1.04-2.62mm ² [2,050-5,180] CIR MILS SOLID OR STRANDED
FOR ORDER ENTRY	1-800-526-5142	THIS DRAWING IS A CONTROLLED DOCUMENT FOR AMP INCORPORATED. IT IS SUBJECT TO CHANGE AND THE CONTROLLING ENGINEERING ORGANIZATION SHOULD BE CONTACTED FOR THE LATEST REVISION.

△	-	LOOSE PIECE	34123-2
	50	LOOSE PIECE, BAG	8-34123-5
	100	LOOSE PIECE, BOX	8-34123-1
	5000	ON TAPE	2-34123-1
	----	LOOSE PIECE	34123
FINISH	QUANTITY	PACKAGING TYPE	PART NO

THIS DRAWING IS A CONTROLLED DOCUMENT.		BY TA BRINKMAN 3-17-83	DATE 3-17-83	TE TE Connectivity
DRAWING NO A200779		CHKD DA PATTERSON 3-17-83	DATE 3-17-83	
DIMENSIONS: mm [INCHES]		TOLERANCES UNLESS OTHERWISE SPECIFIED:		PRODUCT SPEC
MATERIAL: COPPER PER ASTM B-152 ANNEALED		FINISH		APPLICATION SPEC
WEIGHT		SIZE		DATE CODE
CUSTOMER DRAWING		DRAWING NO		RESTRICTED TO
SCALE 8:1		SHEET 1 of 1		REV G1

141-9 (5/11)

34123