

THIS DRAWING IS UNPUBLISHED. RELEASED FOR PUBLICATION .19
 © COPYRIGHT 19 BY AMP INCORPORATED. ALL INTERNATIONAL RIGHTS RESERVED.

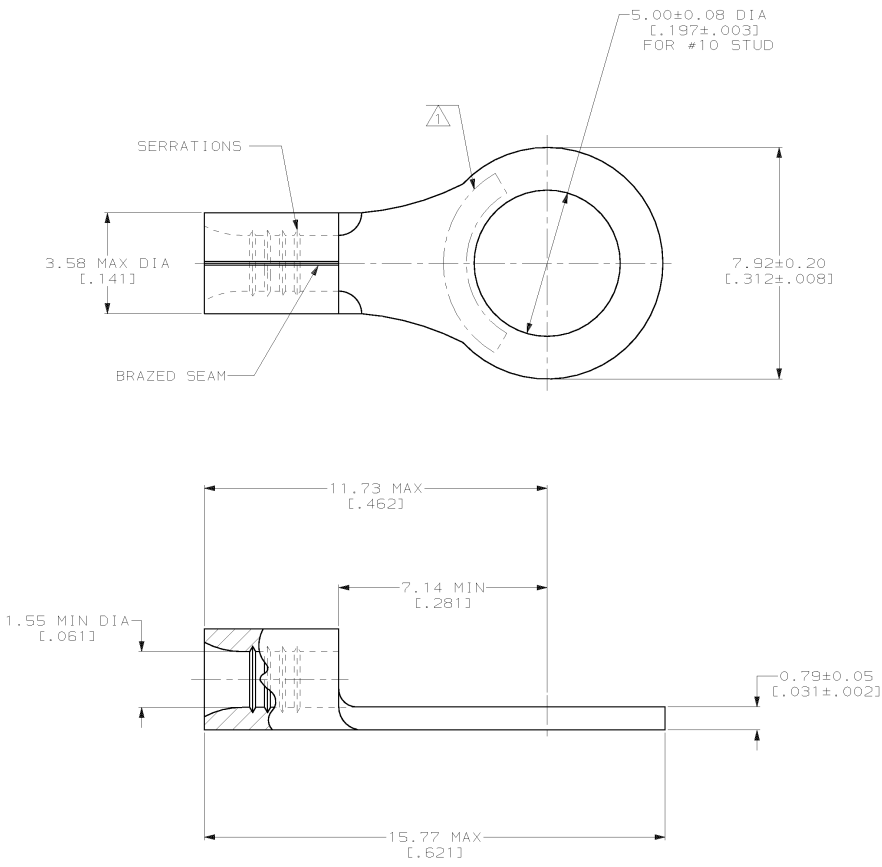
LOC	DIST	P	F	ZONE	LTR	DESCRIPTION	DATE	APPRO
6	14					REV PER 063A-0123-02	07MAR02	JBJ/MS

METRIC
 DIMENSIONS LISTED IN mm [INCHES]

AMP WIRE RANGE	UL E13288 Listed
22-16 AWG SOLID OR STRANDED	22-16 AWG SOLID OR STRANDED
UL LR7189 Certified	MILITARY P/N AND CLASS
22-16 AWG SOLID OR STRANDED	M7928/7-4 CLASS 2 P/N 34112 & 2-34112-2 ONLY

- ⚠ STAMP AMP 22-18* APPROX AS SHOWN
22-16 TERMINALS ARE STAMPED 22-18 IN ACCORDANCE WITH MILITARY SPECIFICATION MIL-T-7928; COMMERCIAL WIRE RANGE IS 22-16
- ⚠ GOLD PLATE, .000100 MIN THK PER ASTM B-488 OVER NICKEL PLATE .000050 MIN THK PER SAE-AMS-00-N-290.
- ⚠ 0.00254 [.000100] MIN TIN PER ASTM B-545.
- ⚠ CLEANED, UNPLATED

FINISH	QUANTITY	PACKAGE TYPE	PART NO
⚠	-	LOOSE PIECE	34112-3
⚠	-	LOOSE PIECE	34112-2
⚠	100	LOOSE PIECE, BOX	8-34112-1
⚠	5000	ON TAPE	2-34112-2
⚠	---	LOOSE PIECE	34112



**AMP INCORPORATED
 CUSTOMER SERVICE SYSTEMS**

FOR ADDITIONAL PRODUCT INFORMATION OR COPIES OF DRAWINGS AND TECHNICAL DOCUMENTS	PRODUCT INFORMATION CENTER 1-800-522-6752
FOR APPLICATION TOOLING INFORMATION	TOOLING ASSISTANCE CENTER 1-800-722-1111
FOR ORDER ENTRY	1-800-526-5142

MAX RECOMMENDED OPERATING TEMPERATURE: 170°C MAX
VOLTAGE RATING: NOT APPLICABLE
WIRE CROSS SECTIONAL AREA RANGE: 0.26-1.65mm ² [509-3,260] CIR MILS SOLID OR STRANDED
THIS DRAWING IS A CONTROLLED DOCUMENT FOR AMP INCORPORATED. IT IS SUBJECT TO CHANGE AND THE CONTROLLING ENGINEERING ORGANIZATION SHOULD BE CONTACTED FOR THE LATEST REVISION.

DO NOT SCALE PRINT. UNLESS SPECIFIED DIMENSIONS IN mm (INCHES) TOLERANCES ON: 2 PLC DEC # - 3 PLC DEC # - ANGLES # -
MATERIAL COPPER PER ASTM B-152 ANNEALED
FINISH SEE NOTES

DR 3-10-93 TA BRINKMAN
CHK 3-10-93 DA PATTERSON
APPD 3-10-93 DE MILLER
APPD 3-10-93 JL MECKLEY
PRODUCT SPEC -
APPLICATION SPEC -
WEIGHT -

AMP AMP Incorporated Harrisburg, PA 17105-3608			
NAME TERMINAL, RING TONGUE, SOLISTRAND™			
SIZE C	CAGE CODE 00779	DRAWING NO C-34112	
SCALE 10:1		SHEET 1 OF 1	