

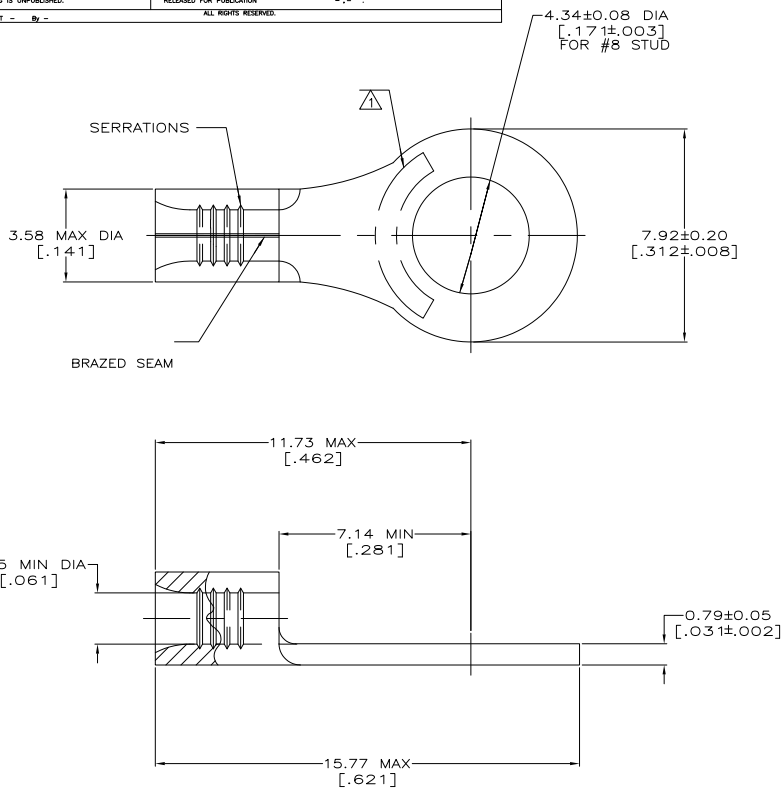
THE DRAWING IS UNPUBLISHED.  
 © COPYRIGHT - By -  
 RELEASED FOR PUBLICATION  
 ALL RIGHTS RESERVED.

LOC	DATE	REVISIONS	MS	DATE	BY	APP
G	14					
		DESCRIPTION				
		REVISED PER ECO-11-004820		11MAR11	RK	HMR

**METRIC**  
 DIMENSIONS LISTED IN mm [ INCHES ]

<b>AMP</b> WIRE RANGE	E13288 Listed
22-16 AWG SOLID OR STRANDED	22-16 AWG SOLID OR STRANDED
LR7189 Certified	MILITARY P/N AND CLASS
22-16 AWG SOLID OR STRANDED	NOT APPLICABLE

- STAMP AMP 22-18\* APPROX AS SHOWN  
22-16 TERMINALS ARE STAMPED 22-18 IN  
ACCORDANCE WITH MILITARY SPECIFICATION  
MIL-T-7928; COMMERCIAL WIRE RANGE IS 22-16
- 0.00254 [0.000100] MIN TIN PER  
ASTM B-545.
- CLEANED, UNPLATED



<b>AMP INCORPORATED CUSTOMER SERVICE SYSTEMS</b>		MAX RECOMMENDED OPERATING TEMPERATURE: 170° C MAX
FOR ADDITIONAL PRODUCT INFORMATION OR COPIES OF DRAWINGS AND TECHNICAL DOCUMENTS	PRODUCT INFORMATION CENTER 1-800-522-6752	VOLTAGE RATING:  NOT APPLICABLE
FOR APPLICATION TOOLING INFORMATION	TOOLING ASSISTANCE CENTER 1-800-722-1111	WIRE CROSS SECTIONAL AREA RANGE: 0.26-1.65mm <sup>2</sup> [509-3,260] CIR MILS SOLID OR STRANDED
FOR ORDER ENTRY	1-800-526-5142	THIS DRAWING IS A CONTROLLED DOCUMENT FOR AMP INCORPORATED. IT IS SUBJECT TO CHANGE AND THE CONTROLLING ENGINEERING ORGANIZATION SHOULD BE CONTACTED FOR THE LATEST REVISION.

	-	LOOSE PIECE	34111-1
	100	LOOSE PIECE, BOX	8-34111-1
	5000	ON TAPE	2-34111-3
	---	LOOSE PIECE	34111
FINISH	QUANTITY	PACKAGING TYPE	PART NO

THIS DRAWING IS A CONTROLLED DOCUMENT.		BY TA BRINKMAN 3-10-93	DATE 3-10-93	TE Connectivity
DIMENSIONS: mm[INCHES]		CHK DA PATTERSON 3-10-93	DATE 3-10-93	
TOLERANCES UNLESS OTHERWISE SPECIFIED:		APP DE MILLER 3-10-93	DATE 3-10-93	NAME TERMINAL, RING TONGUE, SOLISTRAND
	0 P/C ±	PRODUCT SPEC	SIZE	CAGE CODE
	1 P/C ±	APPLICATION SPEC	WEIGHT	DRAWING NO
	2 P/C ±	FINISH	SCALE	RESTRICTED TO
	3 P/C ±	ANNEAL	10:1	1 of 1
	4 P/C ±	SEE TABLE	CUSTOMER DRAWING	REV C1

1471-9 (3/11)

34111