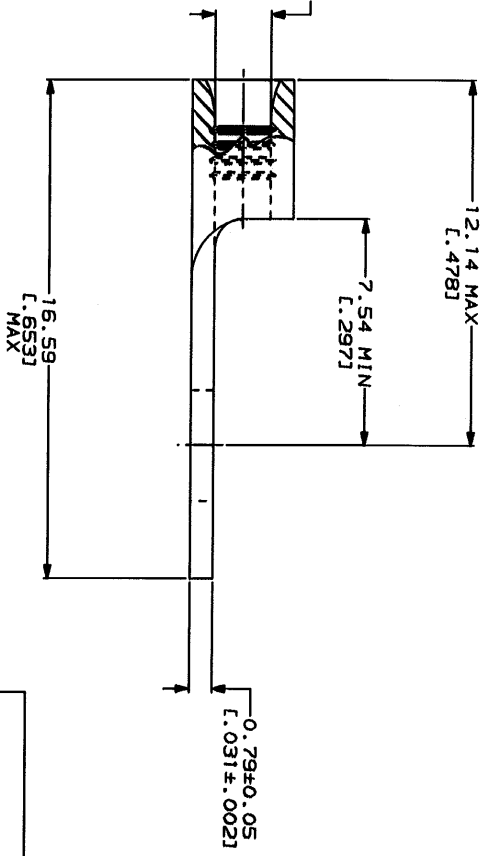
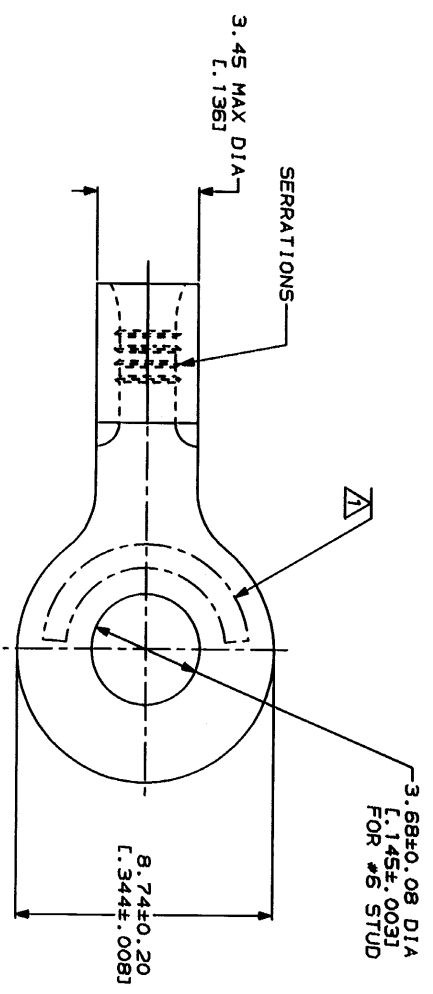


REV	DATE	DESCRIPTION
1	0720-0230-93	REVISED PER 0720-0230-93

METRIQ
DIMENSIONS LISTED IN MM [INCHES]

AMP	AMP
WIRE RANGE	E12288 Listed
22-16 AWG STRANDED	22-16 AWG STRANDED
LR7189 Certified	MILITARY P/N AND CLASS
NOT CERTIFIED	NOT APPLICABLE

STAMP AMP 22-18* APPROX AS SHOWN
22-16 TERMINALS ARE STAMPED 22-18 IN ACCORDANCE WITH MILITARY SPECIFICATION MIL-T-7928, COMMERCIAL WIRE RANGE IS 22-16



AMP INCORPORATED
CUSTOMER SERVICE SYSTEMS

FOR ADDITIONAL PRODUCT INFORMATION OR COPIES OF DRAWINGS AND TECHNICAL DOCUMENTS
FOR APPLICATION TOOLING INFORMATION
FOR ORDER ENTRY

PRODUCT INFORMATION CENTER
1-800-522-6752

TOOLING ASSISTANCE CENTER
1-900-722-1111

1-800-526-5142

MAX RECOMMENDED OPERATING TEMPERATURE: 170°C MAX

VOLTAGE RATING: NOT APPLICABLE

WIRE CROSS SECTIONAL AREA RANGE: 0.26-1.65mm² [509-3,260] CIR MILS STRANDED

FINISH: TIN PLATE
0.0025±(.000100) MIN THK PER MIL-T-10727

DR 2-3-93 TA BRINKMAN
CHK 2-3-93 DA PATTERSON
APPD 2-3-93 DE MILLER
PRODUCT SPEC

NAME: AMP Incorporated
Horn-Liburg, PA 17765-3608

SIZE: 00779
CAGE CODE: 32822
DRAWING NO: 32822

SCALE: 8:1

SHEET: 1 OF 1

CUSTOMER DRAWING